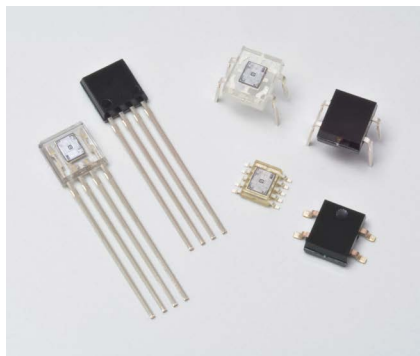


# Light modulation photo IC



S4282-51, S6809, S6846, S6986, S7136/-10, S10053/-01DT

## Fewer detection errors even under disturbance background light

These light modulation photo ICs were developed for optical synchronous detection under disturbance background light. A photodiode, preamplifier, comparator, oscillator, LED driver and signal processing circuit, etc. are all integrated on a monolithic photo IC chip. Optical synchronous type photoreflectors and photointerrupters, which less susceptible to disturbance background light, can be easily configured by just connecting an external LED to this photo IC. Our unique circuit design achieves an allowable background light level of 10000 lx typ. (S4282-51, S6986, S10053/-01DT) and a minimum detection level of 0.2  $\mu\text{W}/\text{mm}^2$  typ. (S6809, S6846, S7136/-10).

### Features

- **Large allowable background light level**  
S4282-51, S6986, S10053/-01DT: 10000 lx typ.  
S6809, S6846, S7136/-10 : 3000 lx typ.
- **Minimum detection level**  
S4282-51, S6986, S10053/-01DT: 0.7  $\mu\text{W}/\text{mm}^2$  typ.  
S6809, S6846, S7136/-10 : 0.2  $\mu\text{W}/\text{mm}^2$  typ.
- **Digital output (Output appears "L" by light input.)**
- **Small hysteresis (S6809)**
- **Small SMD package**  
S10053: stick  
S10053-01DT: reel

### Applications

- **Paper detection in office machine (copiers, fax machines, etc.)**
- **Optical switches**

### Absolute maximum ratings (Ta=25 °C)

Parameter	Symbol	S10053/-01DT	S4282-51, S6986	S6809, S6846, S7136/-10	Unit
Supply voltage	Vcc		-0.5 to +16		V
Output voltage	Vo		-0.5 to +16		V
Output current	Io		50		mA
Cathode output voltage	Vcath		-0.5 to +16		V
Cathode output current	Icath	-	-	70	mA
Power dissipation*1	P		250		mW
Operating temperature	Topr	-25 to +85	-25 to +60		°C
Storage temperature	Tstg		-40 to +100		°C
Soldering temperature	Tsol	240 (once)*2	*3	*3	°C

Note: Exceeding the absolute maximum ratings even momentarily may cause a drop in product quality. Always be sure to use the product within the absolute maximum ratings.

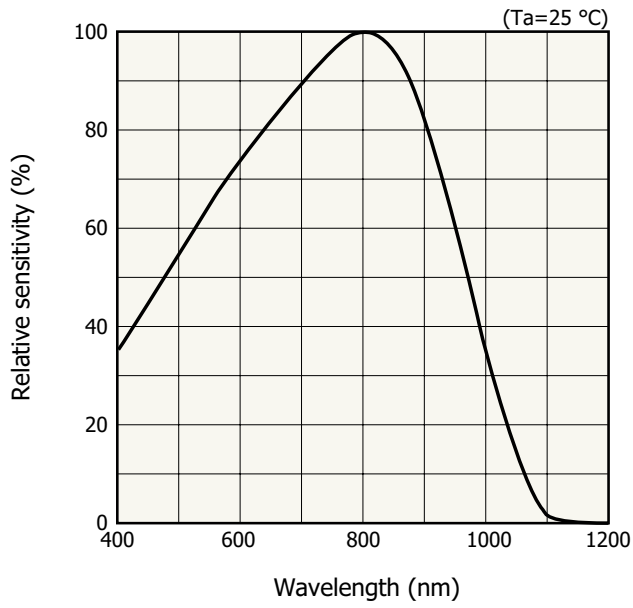
\*1: Power dissipation decreases at a rate of 3.3 mW/°C above Ta=25 °C

\*2: Reflow soldering, IPC/JEDEC-J-STD-020 MSL5a, see P.9

\*3: See the recommended soldering conditions (P.9).

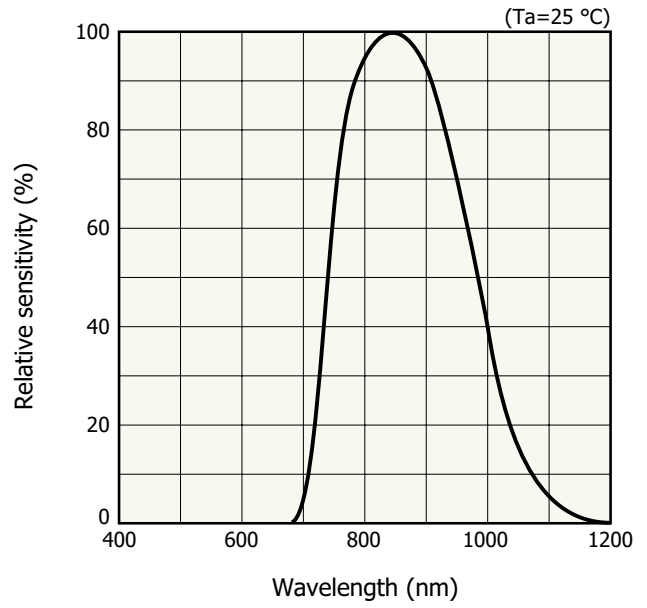
**Spectral response (typical example)**

S4282-51, S6986, S10053/-01DT



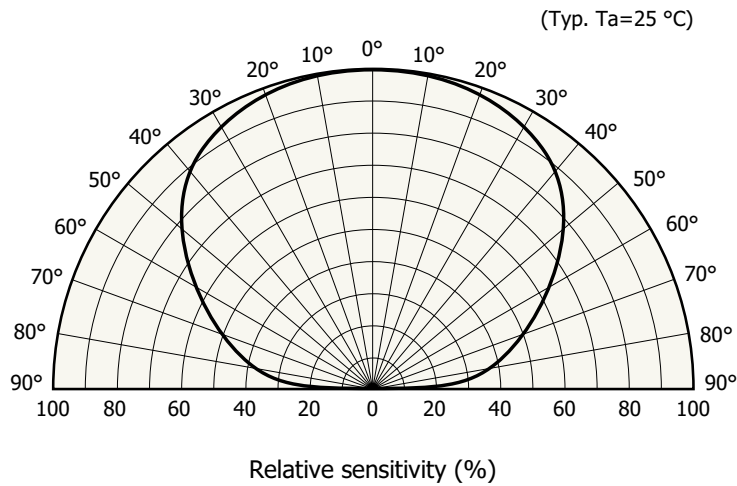
KPICB0001EB

S6809, S6846, S7136/-10



KPICB0002EA

**Directivity**



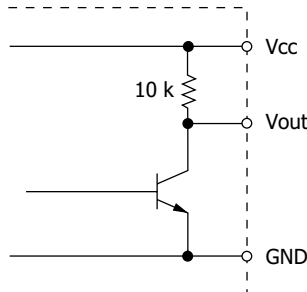
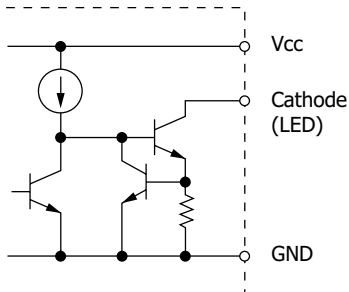
KPICB0342EA

Electrical and optical characteristics (Ta=25 °C, Vcc=5 V)

Parameter	Symbol	Condition	S4282-51, S6986, S10053/-01DT			S6809, S6846, S7136/-10			Unit
			Output: built-in pull-up resistor*2 Cathode: constant current drive			Output: open collector*3 Cathode: open collector drive			
			Min.	Typ.	Max.	Min.	Typ.	Max.	
Supply voltage	Vcc		4.5	-	16	4.5	-	16	V
Current consumption	Icc	Vo, LED terminals open	-	4	11	-	4	11	mA
Output	Low level output voltage	VoL IOL=16 mA	-	0.2	0.4	-	0.2	0.4	V
	High level output voltage	VoH	4.9	-	-	/			V
		4.7 kΩ between Vcc and Vo							4.5
Cathode	Low level output voltage	Vcath Icath=40 mA	/			-	-	0.8	V
	Low level output current	Icath Vcath=1.2 V				15	35	60	/
	Pulse cycle	Tp	65	130	220	65	130	220	
	Pulse width	Tw	4	8	13.7	4	8	13.7	μs
H→L threshold light level	EHL	λ=940 nm No background light	-	0.7	2	-	0.2	1.0	μW/mm <sup>2</sup>
Hysteresis	-		0.45	0.65	0.95	0.45	0.65	0.95	-
						0.65 (S6809)	0.8 (S6809)	0.95 (S6809)	
Frequency response	f		0.5	1.25	-	0.5	1.25	-	kHz
Allowable background light level	Ex	Signal light: 5 μW/mm <sup>2</sup> , λp=940 nm Background light: "A" light source	5000	10000	-	2000	3000	-	lx

\*2: Cathode

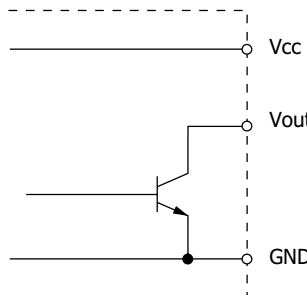
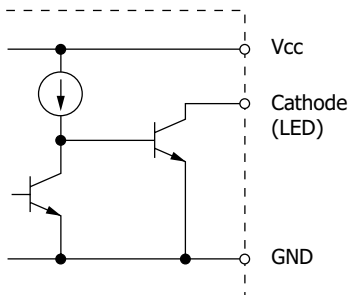
Output



KPIC0009EA

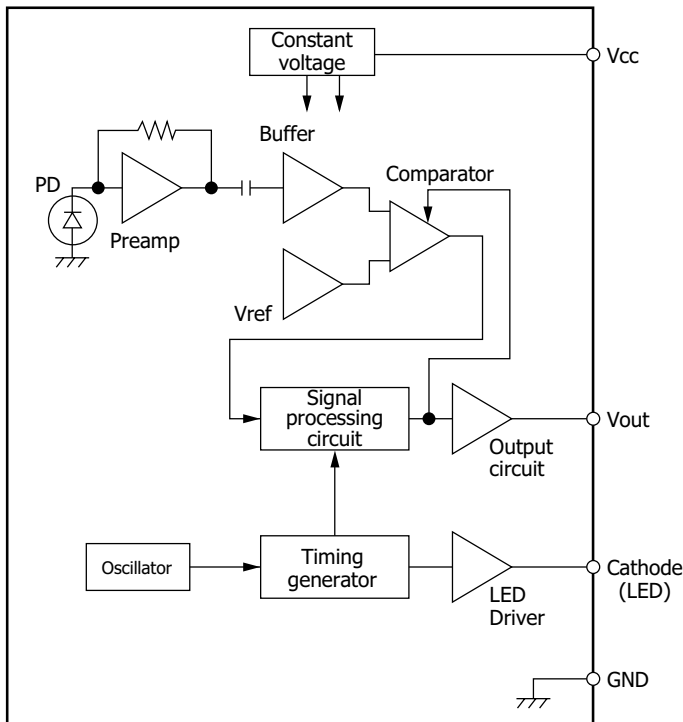
\*3: Cathode

Output



KPIC0010EA

## Block diagram and internal functions



Truth table

Input	Output level
Light on	low
Light off	high

KPIC0002EA

### (a) Oscillator and timing signal generator

The oscillator produces a reference oscillation output by charging and discharging the built-in capacitor with constant current. The oscillation output is fed to the timing signal generator, which then creates LED drive pulses and various timing pulses for digital signal processing.

### (b) LED driver circuit

This circuit drives an external LED using the LED drive pulses created by the timing signal generator. The duty cycle is 1/16.

### (c) Photodiode and preamplifier circuit

The photodiode is formed on the same monolithic chip. A photocurrent generated in the photodiode is converted to a voltage by a preamplifier circuit. The preamplifier circuit uses an AC amplifier to expand the dynamic range versus DC or low-frequency background light, without impairing signal detection sensitivity.

### (d) Capacitive coupling, buffer amplifier and reference voltage generator

Capacitive coupling removes low-frequency noise and also cancels the DC offset in the preamplifier. The buffer amplifier boosts the signal up to the comparator level, and the reference voltage generator produces a comparator level voltage.

### (e) Comparator circuit

The comparator circuit has a hysteresis function to prevent chattering caused by small fluctuations in the input light.

### (f) Signal processing circuit

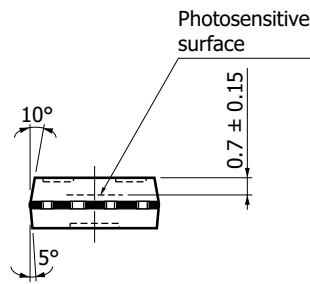
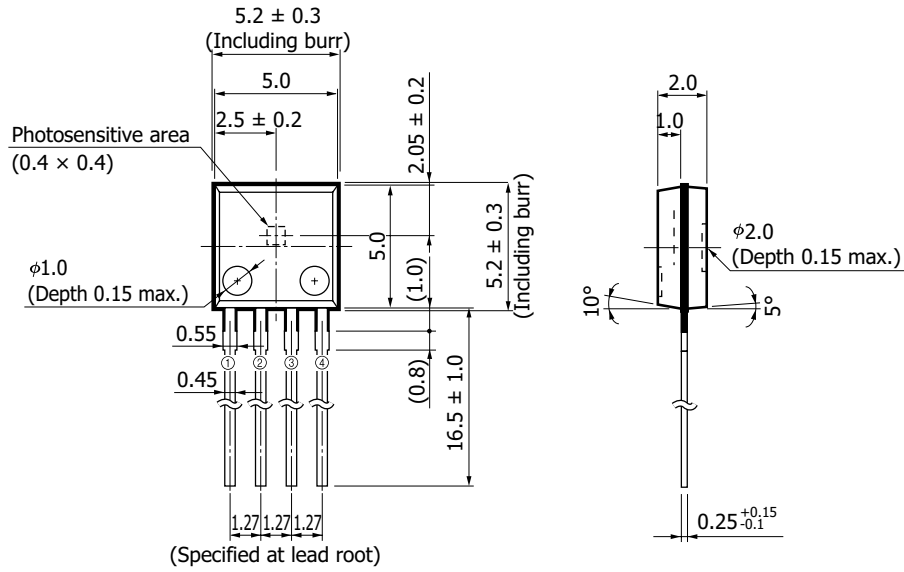
The signal processing circuit consists of a gate circuit and digital integrator circuit. The gate circuit discriminates input pulses during synchronous detection, to prevent operational errors caused by asynchronous background light. Background light which is synchronized with the signal detection timing cannot be eliminated by the gate circuit, but is canceled out by the digital integrator circuit at the latter stage.

### (g) Output circuit

This circuit serves as an output buffer for the signal processing circuit and outputs the signal to an external circuit.

**Dimensional outlines (unit: mm)**

S6809, S6846, S6986



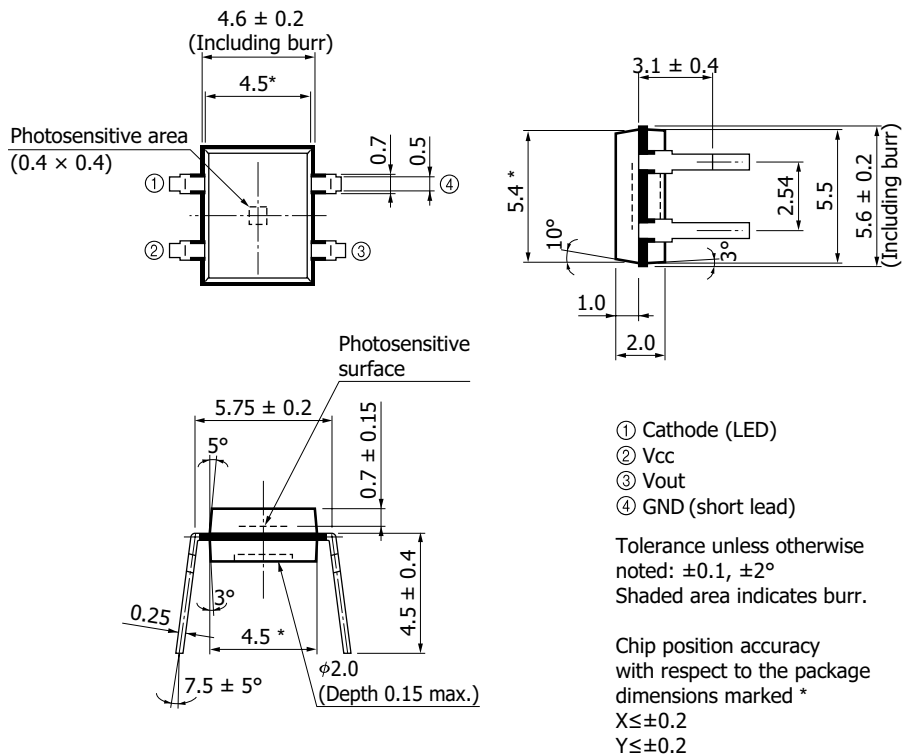
- ① Vout
- ② GND
- ③ Cathode (LED)
- ④ Vcc

Tolerance unless otherwise noted: ±0.1, ±2°  
 Shaded area indicates burr.  
 Values in parentheses are not guaranteed, but for reference.

Packing type: Polyethylene bag (antistatic type)

KPICA0008EE

S4282-51, S7136



- ① Cathode (LED)
- ② Vcc
- ③ Vout
- ④ GND (short lead)

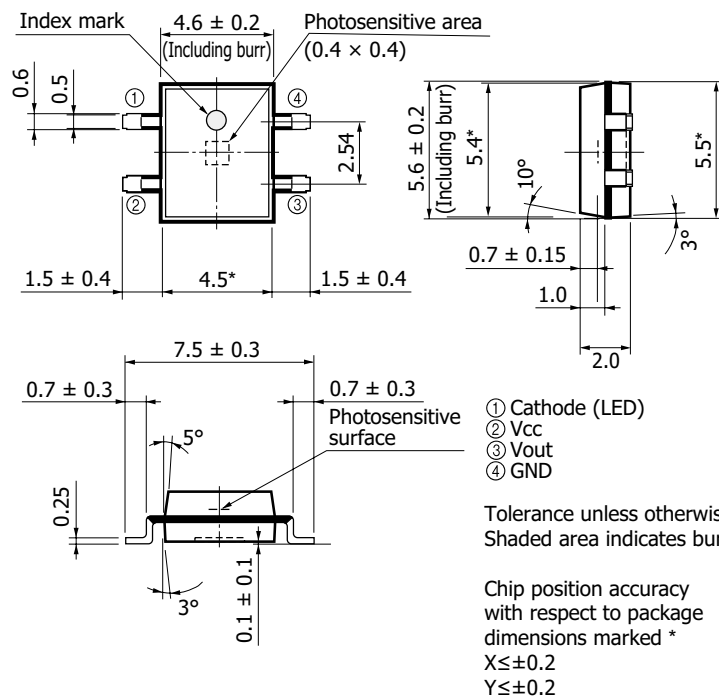
Tolerance unless otherwise noted:  $\pm 0.1$ ,  $\pm 2^\circ$   
 Shaded area indicates burr.

Chip position accuracy with respect to the package dimensions marked \*  
 $X \leq \pm 0.2$   
 $Y \leq \pm 0.2$

Packing type: Stick

KPICA0009ED

S7136-10



- ① Cathode (LED)
- ② Vcc
- ③ Vout
- ④ GND

Tolerance unless otherwise noted:  $\pm 0.1$ ,  $\pm 2^\circ$   
 Shaded area indicates burr.

Chip position accuracy with respect to package dimensions marked \*  
 $X \leq \pm 0.2$   
 $Y \leq \pm 0.2$

Packing type: Stick

KPICA0034EC

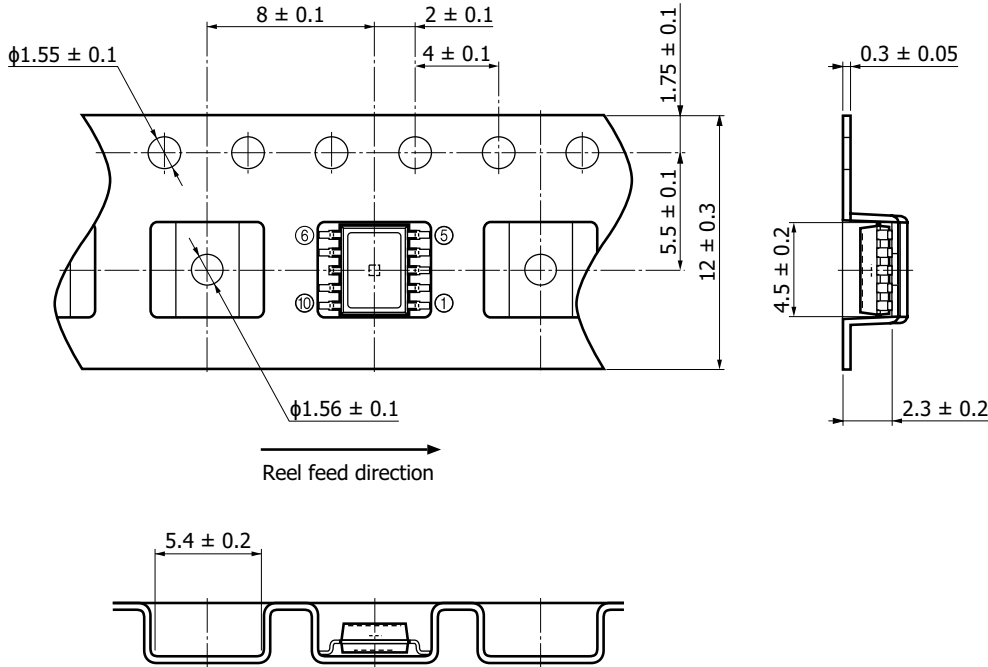


**Reel packing specifications (S10053-01DT)**

■ Reel (conforms to JEITA ET-7200)

Outer diameter	Hub diameter	Tape width	Material	Electrostatic characteristics
φ254 mm	φ80 mm	12 mm	PS	Antistatic treatment

■ Embossed tape (unit: mm, material: PS, electrically conductive)



KPIC0348EA

■ Packing quantity

2000 pcs/reel

■ Packing type

Reel and desiccant in moisture-proof packaging (vacuum-sealed)



### Recommended soldering conditions

S4282-51, S6809, S6846, S6986, S7136/-10

Type No.	Solder temperature	Remarks
S4282-51	230 °C (less than 5 s) max.	at least 1 mm away from lead roots*6
S6809, S6846, S6986		at least 1.8 mm away from lead roots*6
S7136		at least 1 mm away from lead roots*6
S7136-10	*7	-

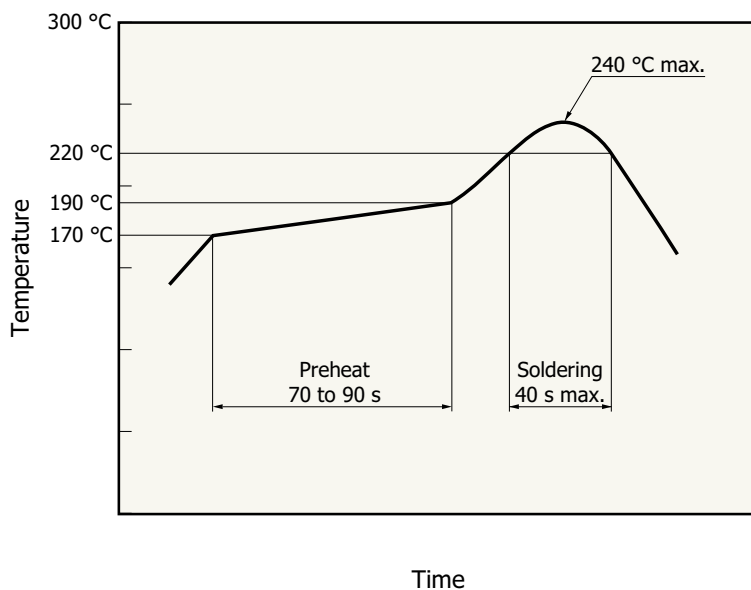
\*6: Lead length: in case of 2 mm or more

\*7: Contact us for detailed information.

Note: When setting the soldering conditions, check for any problems by testing out the soldering methods in advance.

S10053/-01DT

The S10053/-01DT supports lead-free soldering. After unpacking, store it in an environment at a temperature of 30 °C or less and a humidity of 60% or less, and perform soldering within 24 hours.



KPICB0171EA

Note: The effect that the product receives during reflow soldering varies depending on the circuit board and reflow oven that are used. When setting the reflow soldering conditions, check for any problems by testing out the reflow soldering methods in advance.

## Related information

[www.hamamatsu.com/sp/ssd/doc\\_en.html](http://www.hamamatsu.com/sp/ssd/doc_en.html)

### ■ Precautions

- Disclaimer
- Metal, ceramic, plastic package products
- Surface mount type products

Information described in this material is current as of August 2021.

Product specifications are subject to change without prior notice due to improvements or other reasons. This document has been carefully prepared and the information contained is believed to be accurate. In rare cases, however, there may be inaccuracies such as text errors. Before using these products, always contact us for the delivery specification sheet to check the latest specifications.

The product warranty is valid for one year after delivery and is limited to product repair or replacement for defects discovered and reported to us within that one year period. However, even if within the warranty period we accept absolutely no liability for any loss caused by natural disasters or improper product use. Copying or reprinting the contents described in this material in whole or in part is prohibited without our prior permission.

# HAMAMATSU

[www.hamamatsu.com](http://www.hamamatsu.com)

HAMAMATSU PHOTONICS K.K., Solid State Division

1126-1 Ichino-cho, Higashi-ku, Hamamatsu City, 435-8558 Japan, Telephone: (81)53-434-3311, Fax: (81)53-434-5184

U.S.A.: Hamamatsu Corporation: 360 Foothill Road, Bridgewater, N.J. 08807, U.S.A., Telephone: (1)908-231-0960, Fax: (1)908-231-1218, E-mail: [usa@hamamatsu.com](mailto:usa@hamamatsu.com)

Germany: Hamamatsu Photonics Deutschland GmbH: Arzbergerstr. 10, D-82211 Herrsching am Ammersee, Germany, Telephone: (49)8152-375-0, Fax: (49)8152-265-8, E-mail: [info@hamamatsu.de](mailto:info@hamamatsu.de)

France: Hamamatsu Photonics France S.A.R.L.: 19, Rue du Saule Trapu, Parc du Moulin de Massy, 91882 Massy Cedex, France, Telephone: (33)1 69 53 71 00, Fax: (33)1 69 53 71 10, E-mail: [infos@hamamatsu.fr](mailto:infos@hamamatsu.fr)

United Kingdom: Hamamatsu Photonics UK Limited: 2 Howard Court, 10 Tewin Road, Welwyn Garden City, Hertfordshire AL7 1BW, UK, Telephone: (44)1707-294888, Fax: (44)1707-325777, E-mail: [info@hamamatsu.co.uk](mailto:info@hamamatsu.co.uk)

North Europe: Hamamatsu Photonics Norden AB: Torshamnsgatan 35 16440 Kista, Sweden, Telephone: (46)8-509 031 00, Fax: (46)8-509 031 01, E-mail: [info@hamamatsu.se](mailto:info@hamamatsu.se)

Italy: Hamamatsu Photonics Italia S.r.l.: Strada della Moia, 1 int. 6, 20044 Arese (Milano), Italy, Telephone: (39)02-93 58 17 33, Fax: (39)02-93 58 17 41, E-mail: [info@hamamatsu.it](mailto:info@hamamatsu.it)

China: Hamamatsu Photonics (China) Co., Ltd.: 1201 Tower B, Jiaming Center, 27 Dongsanhuan Beilu, Chaoyang District, 100020 Beijing, P.R.China, Telephone: (86)10-6586-6006, Fax: (86)10-6586-2866, E-mail: [hpc@hamamatsu.com.cn](mailto:hpc@hamamatsu.com.cn)

Taiwan: Hamamatsu Photonics Taiwan Co., Ltd.: 8F-3, No. 158, Section2, Gongdao 5th Road, East District, Hsinchu, 300, Taiwan R.O.C. Telephone: (886)3-659-0080, Fax: (886)3-659-0081, E-mail: [info@hamamatsu.com.tw](mailto:info@hamamatsu.com.tw)