

2-conductor disconnect terminal block; with disconnect tab

Item No.: 281-912



2-conductor disconnect terminal block; with disconnect tab

Marking

 RoHS ✓
 Compliant

Business data

Supplier	WAGO
Item no.	281-912
GTIN / EAN	4044918631778
Content	1
Order amount	50
Customer item number	

Notes

Technical data

Miscellaneous

Total number of connection points	2
Total number of potentials	2
Color	gray
Pollution degree (1)	3
Rated voltage EN (1) [V]	400 [V]
Rated surge voltage (1) [kV]	6 [kV]
Nominal current [A]	10 [A]
Connection technology (1)	CAGE CLAMP®
Solid sizes 1	0.08 ... 4 mm ² / 28 ... 12 AWG
Fine-stranded wires 1	0.08 ... 4 mm ² / 28 ... 12 AWG

Technical data	
Strip length 1	9 ... 10 mm / 0.35 ... 0.39 in
Type of wiring	Front-entry wiring
Design	horizontal
Marking level	Center marking
Insulating material	PA 6.6 V0
Fire load [MJ]	0.159 [MJ]
Weight [g]	8.473 [g]
Width	6 mm / 0.236 in
Height from upper-edge of DIN-rail	53.5 mm / 2.106 in
Length	59 mm / 2.323 in
Type of mounting	DIN 35 rail

Approbation					
Item No.	Registration	Registration no.	Voltage [V]	Current [A]	Cross section [mm ² , AWG]
281-912	ABS	05-HG476175/3-PDA	400	10	4,0
281-912	BV	07436/Co	400	10	4,0
281-912	CCA	2160584.05	400	10	0.08-4.00
281-912	CCA	NTR NL-7083	400	10	
281-912	CCA	NL5591/1	400	10	4
281-912	CSA	154112-1505034	300	15	28-12
281-912	DNV	E-10423	800	32	4,0
281-912	GL	17295-00HH	400	10	4,0
281-912	KEMA	2076376.01	400	10	4
281-912	KR	HMB05880-EL001	500/800	10/35	4
281-912	LR	91/20112(E6)	400	10	4,0
281-912	PRS	TE/1718/880590/08	400	10	4
281-912	UL	E45172	300	15	28-12

Accessories

Accessories*Insulation stop*

Item no.	Description	Pack. unit (Sub Pack)
281-470	Insulation stop; 0.08 ... 0.2 mm ² "s" (0.14 mm ² "f-st"); 5 pieces/strip	25
281-471	Insulation stop; 0.25 ... 0.5 mm ² ; 5 pieces/strip	25
281-472	Insulation stop; 0.75 ... 1.5 mm ² ; 5 pieces/strip	25

Push-in type wire jumper

Item no.	Description	Pack. unit (Sub Pack)
210-103	Wire commoning chain; insulated; 50 connections	1
210-123	Wire commoning chain; insulated; 50 connections	1
709-110	Wire commoning chain; insulated; 4 connections; 3 x 110 mm	1
709-112	Wire commoning chain; insulated; 3 connections; 2 x 170 mm	1
709-111	Wire commoning chain; insulated; 3 connections; 2 x 120 mm	1

Jumper

Item no.	Description	Pack. unit (Sub Pack)
281-482	Comb-style jumper bar; insulated; 2-way; IN = IN terminal block	25
281-483	Comb-style jumper bar; insulated; 3-way; IN = IN terminal block	25
281-490	Comb-style jumper bar; insulated; 10-way; IN = IN terminal block	25
281-492	Alternate comb-style jumper bar; insulated; 2-way; IN = IN terminal block	25

End plate

Item no.	Description	Pack. unit (Sub Pack)
281-328	End and intermediate plate; 2.5 mm thick	25
281-329	End and intermediate plate; 2.5 mm thick	25
281-330	Separator plate; 2 mm thick; oversized	25
281-331	Separator plate; 2 mm thick; oversized	25

Accessories*Carrier rail*

Item no.	Description	Pack. unit (Sub Pack)
210-112	Steel carrier rail; 35 x 7.5 mm; 1 mm thick; 2 m long; slotted; according to en 60715; hole width 25 mm	1
210-113	Steel carrier rail; 35 x 7.5 mm; 1 mm thick; 2 m long; unslotted; according to en 60715	1
210-114	Steel carrier rail; 35 x 15 mm; 1.5 mm thick; 2 m long; unslotted; similar to EN 60715	1
210-115	Steel carrier rail; 35 x 7.5 mm; 1 mm thick; 2 m long; slotted; according to en 60715; hole width 18 mm	1
210-118	Steel carrier rail; 35 x 15 mm; 2.3 mm thick; 2 m long; unslotted; according to en 60715	1
210-196	Aluminum carrier rail; 35 x 8.2 mm; 1.6 mm thick; 2 m long; unslotted; similar to EN 60715	1
210-197	Steel carrier rail; 35 x 15 mm; 1.5 mm thick; 2 m long; slotted; similar to EN 60715	1
210-198	Copper carrier rail; 35 x 15 mm; 2.3 mm thick; 2 m long; unslotted; according to en 60715	1
210-504	Steel carrier rail; 35 x 7.5 mm; 1 mm thick; 2 m long; slotted; galvanized; according to EN 60715	1
210-505	Steel carrier rail; 35 x 7.5 mm; 1 mm thick; 2 m long; unslotted; galvanized; according to EN 60715	1
210-506	Steel carrier rail; 35 x 15 mm; 1.5 mm thick; 2 m long; unslotted; galvanized; similar to EN 60715	1
210-508	Steel carrier rail; 35 x 15 mm; 1.5 mm thick; 2 m long; slotted; galvanized; similar to EN 60715	1

Accessories*Marking accessories*

Item no.	Description	Pack. unit (Sub Pack)
209-501	WSB quick marking system; plain; for terminal block width 5 - 17.5 mm; 10 strips with 10 markers per card	5
793-501	WMB Multi marking system; plain; for terminal block width 5 - 17.5 mm; 10 strips with 10 markers per card	5
793-5501	WMB Multi marking system; plain; for terminal block width 5 - 17.5 mm; stretchable 5 - 5.2 mm; 10 strips with 10 markers per card	5
209-501/000-002	WSB quick marking system; plain; for terminal block width 5 - 17.5 mm; 10 strips with 10 markers per card	5
209-501/000-005	WSB quick marking system; plain; for terminal block width 5 - 17.5 mm; 10 strips with 10 markers per card	5
209-501/000-006	WSB quick marking system; plain; for terminal block width 5 - 17.5 mm; 10 strips with 10 markers per card	5
209-501/000-007	WSB quick marking system; plain; for terminal block width 5 - 17.5 mm; 10 strips with 10 markers per card	5
209-501/000-012	WSB quick marking system; plain; for terminal block width 5 - 17.5 mm; 10 strips with 10 markers per card	5
209-501/000-017	WSB quick marking system; plain; for terminal block width 5 - 17.5 mm; 10 strips with 10 markers per card	5
209-501/000-023	WSB quick marking system; plain; for terminal block width 5 - 17.5 mm; 10 strips with 10 markers per card	5
209-501/000-024	WSB quick marking system; plain; for terminal block width 5 - 17.5 mm; 10 strips with 10 markers per card	5
793-501/000-006	WMB Multi marking system; plain; for terminal block width 5 - 17.5 mm; 10 strips with 10 markers per card	5
793-501/000-005	WMB Multi marking system; plain; for terminal block width 5 - 17.5 mm; 10 strips with 10 markers per card	5
793-501/000-002	WMB Multi marking system; plain; for terminal block width 5 - 17.5 mm; 10 strips with 10 markers per card	5
793-501/000-007	WMB Multi marking system; plain; for terminal block width 5 - 17.5 mm; 10 strips with 10 markers per card	5
793-501/000-012	WMB Multi marking system; plain; for terminal block width 5 - 17.5 mm; 10 strips with 10 markers per card	5
793-501/000-017	WMB Multi marking system; plain; for terminal block width 5 - 17.5 mm; 10 strips with 10 markers per card	5

Accessories		
793-501/000-023	WMB Multi marking system; plain; for terminal block width 5 - 17.5 mm; 10 strips with 10 markers per card	5
793-501/000-024	WMB Multi marking system; plain; for terminal block width 5 - 17.5 mm; 10 strips with 10 markers per card	5
793-5501/000-002	WMB Multi marking system; plain; for terminal block width 5 - 17.5 mm; stretchable 5 - 5.2 mm; 10 strips with 10 markers per card	5
793-5501/000-005	WMB Multi marking system; plain; for terminal block width 5 - 17.5 mm; stretchable 5 - 5.2 mm; 10 strips with 10 markers per card	5
793-5501/000-006	WMB Multi marking system; plain; for terminal block width 5 - 17.5 mm; stretchable 5 - 5.2 mm; 10 strips with 10 markers per card	5
793-5501/000-007	WMB Multi marking system; plain; for terminal block width 5 - 17.5 mm; stretchable 5 - 5.2 mm; 10 strips with 10 markers per card	5
793-5501/000-012	WMB Multi marking system; plain; for terminal block width 5 - 17.5 mm; stretchable 5 - 5.2 mm; 10 strips with 10 markers per card	5
793-5501/000-017	WMB Multi marking system; plain; for terminal block width 5 - 17.5 mm; stretchable 5 - 5.2 mm; 10 strips with 10 markers per card	5
793-5501/000-023	WMB Multi marking system; plain; for terminal block width 5 - 17.5 mm; stretchable 5 - 5.2 mm; 10 strips with 10 markers per card	5
793-5501/000-024	WMB Multi marking system; plain; for terminal block width 5 - 17.5 mm; stretchable 5 - 5.2 mm; 10 strips with 10 markers per card	5

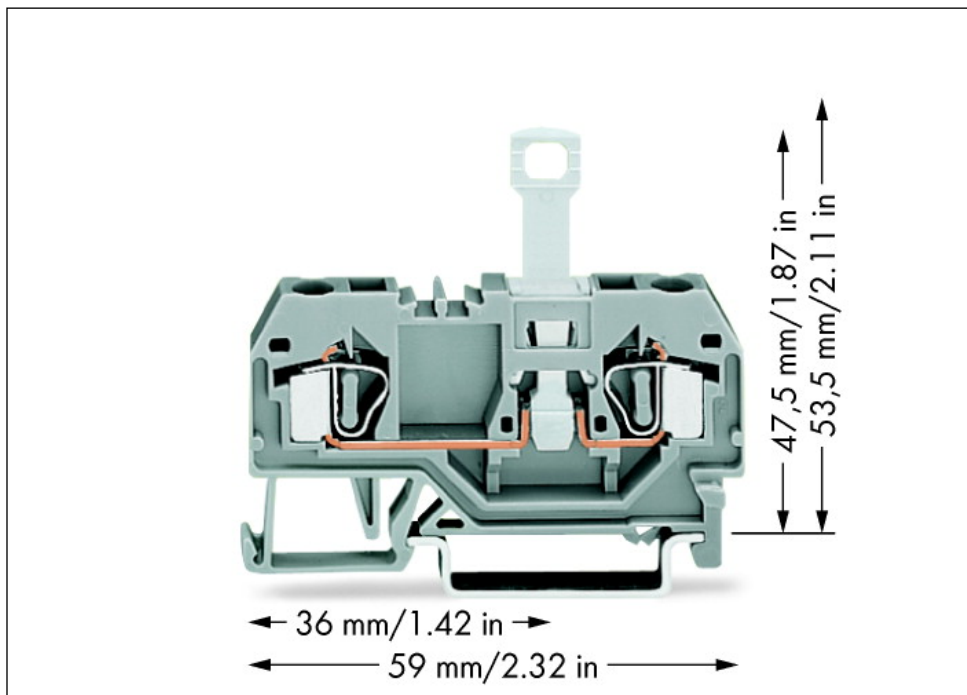
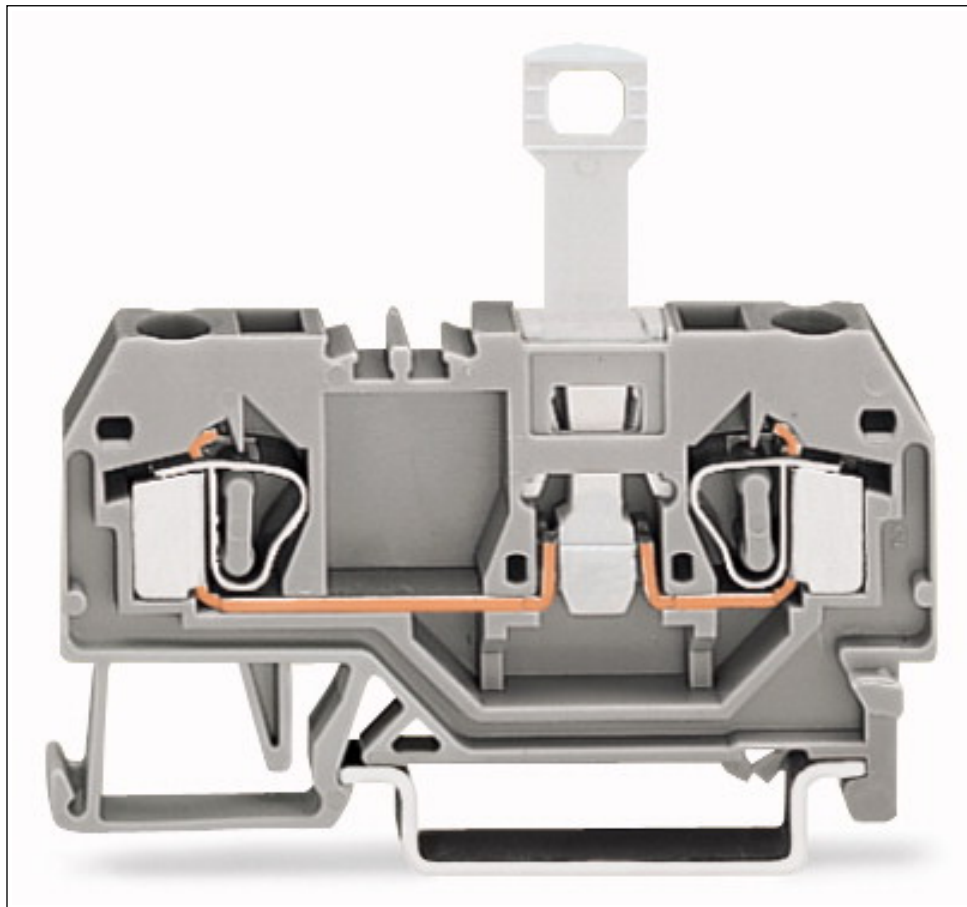
Protective warning marker

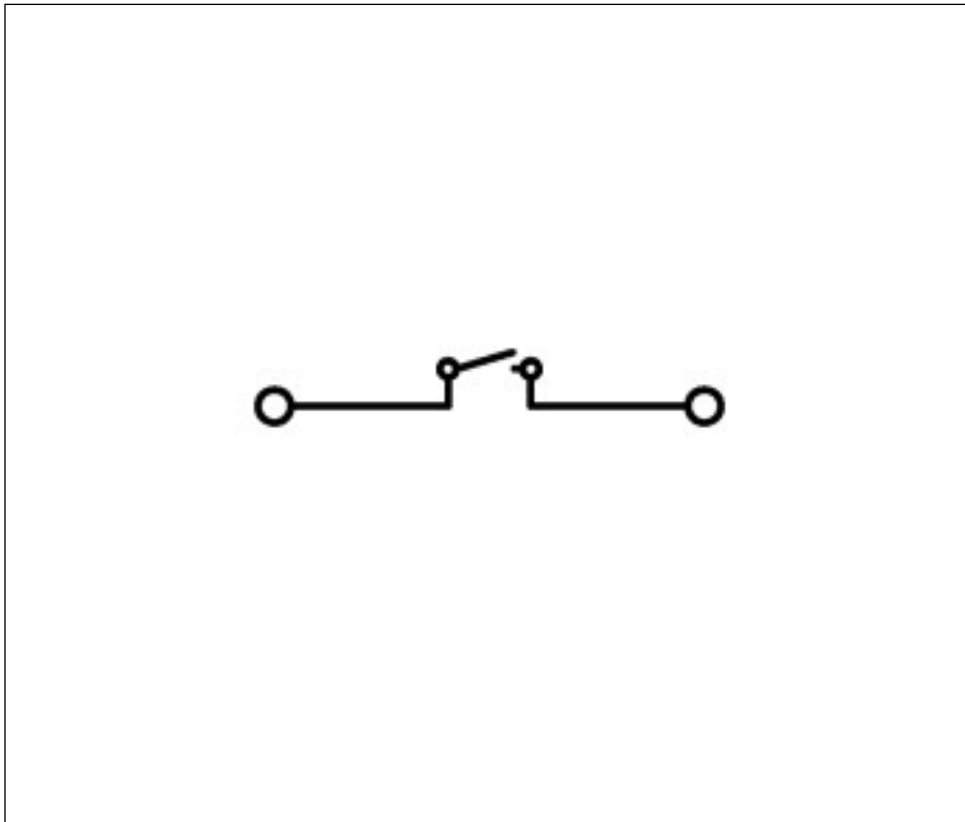
Item no.	Description	Pack. unit (Sub Pack)
281-415	Protective warning marker; with high-voltage symbol, black; for 5 terminal blocks	25

Accessories*General accessory*

Item no.	Description	Pack. unit (Sub Pack)
210-186	Stickers for operating instructions; for front-entry rail-mounted terminal blocks; 279 to 285 Series	100
210-549	Spare knurled nut; for cover	25
210-657	Operating tool with partially insulated shaft; blade (3.5 x 0.5) mm; short; suitable for 260, 261, 262, 264, 270, 280, 281, 869, 870 and 880 Series	1
210-658	Operating tool with partially insulated shaft; blade (3.5 x 0.5) mm; short; angled; particularly suitable for 280 Series actuator and sensor terminal blocks and also for Series 260, 261, 262, 264, 280, 281, 869, 870, 880, 2002,	1
210-720	Operating tool with partially insulated shaft; Type 2, blade (3.5 x 0.5) mm; suitable for 260, 261, 262, 264, 270, 280, 281, 290, 775, 776, 777, 769, 780, 781, 869, 870, 880, 2002, 2003, 2004, 2005 and 2022 Series	1
249-130	Syringe; Contents: 20 ml Alu-Plus contact paste	5
249-143	L-type spacer module; modular; e.g., bridging commoned terminal blocks	25
280-432	Operating tool; of insulating material; 2-way	1
280-433	Operating tool; of insulating material; 3-way	1
281-440	Operating tool; of insulating material; 5-way; suitable for 281 Series	1
709-153	Cover; type 1; suitable for cover carrier, type 1; 1 m long	10
249-141	L-type test plug module; modular; with spring-loaded contact pin; center module	25
249-142	L-type end module; modular; with rigid contact pin; end module	25
209-196	Spare fixing/retaining screw; for cover	25
209-106	Mounting carrier; for isolated mounting on DIN 35 rails	25
209-130	Operating tool; of insulating material; 1-way; suitable for 264, 280 and 281 Series	1

Images & drawings





Address

WAGO Kontakttechnik GmbH & Co. KG

Hansastr. 27

32423 Minden

Telefon: 0571/887-0

Fax: 0571/887-169

<http://www.wago.com>

© WAGO Kontakttechnik GmbH & Co. KG

Technische Änderungen und Irrtümer vorbehalten.