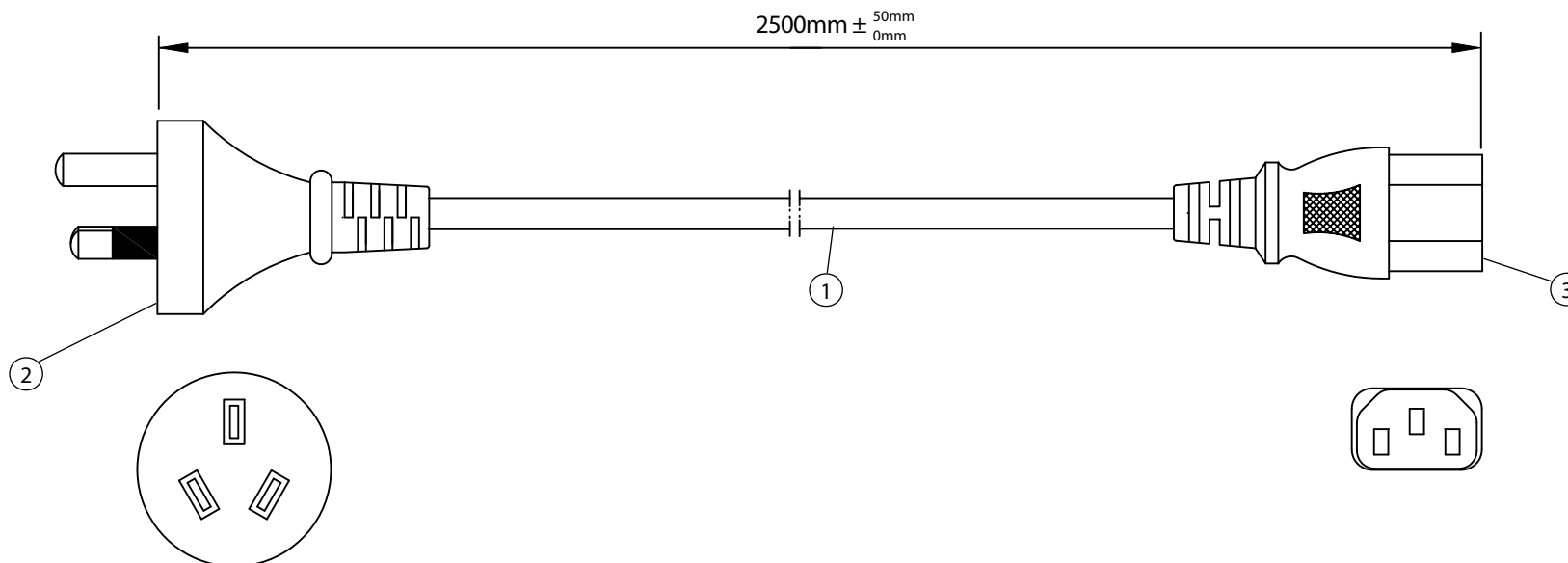


THESE DRAWINGS ARE THE PROPERTY OF QUALTEK ELECTRONICS AND NOT TO BE REPRODUCED FOR OR COMMUNICATED TO A THIRD PARTY WITHOUT THE EXPRESS WRITTEN PERMISSION OF AN OFFICER OF QUALTEK ELECTRONICS.

REVISION			
REV.	DESCRIPTION	DATE	APPROVED
B	RoHS Compliancy	06-01-06	D.P.
C	Cordage and Notes Revision	09-04-07	D.P.
D	Cordage Update	10-20-08	LY
E	Updated Cordage Callout	11-15-23	LY



CONTROLLED

NOTES:

1. CORDAGE: H05VV-F, 3 x 1.00mm², UNSHIELDED, CEE COLOR CODE, TEMP. RATING: 70°C, RATING: 250V 10A, JACKET COLOR: BLACK
2. PLUG: AS 3112
3. CONNECTOR: IEC 60320 C13
4. APPROVALS: SAA
5. ROHS COMPLIANT

Dim range (mm)	Tolerance +/- (mm)	Qualtek Electronics Corp. PPC DIVISION		
		Part Number:	374003-A01	RoHS Compliant
		Description:	POWER CORD	
0-1	0.15		UNIT: mm	REV. E
1-6	0.20			
6-18	0.30			
18-50	0.50			
50-120	0.70	Drawn / Date	Checked / Date	Approved / Date
120-250	0.90	B. ZHANG 10-15-01	10-15-01	JJH / 10-15-01
250-500	1.20			