

Product data sheet

Specifications



Advanced touchscreen panel, Harmony GTU, 7 W Touch Display WVGA, coated display

HMIDT351FC

Main

Range of product	Harmony GTU
Product or component type	Advanced touchscreen panel
Terminal type	Touchscreen display
[Us] rated supply voltage	12...24 V DC power supply
Supply voltage limits	10.8...28.8 V
Power consumption in W	6.5 W
Inrush current	30 A

Complementary

Touchscreen resolution	1024 x 1024
Pixel resolution	800 x 480
display size	7 inch
Aspect ratio	4:3
Display type	Colour TFT LCD
display resolution	800 x 480 pixels WVGA
Display colour	262144 colors
Backlight lifespan	50000 hours
Touch panel	Single touch analogue resistive
Provided equipment	1 flash card
Type of cooling	Natural convection
Type of installation	Indoor installation
Cut-out dimensions	190 (+ 1/- 0) x 135 (+ 1/- 0) mm
Width	203.6 mm
Height	148.6 mm
Depth	36 mm
Net weight	1.2 kg

Environment

IP degree of protection	Front panel: IP66
NEMA degree of protection	NEMA 4X front panel
Standards	UL 508

Product certifications	CE UKCA UKEX
Ambient air temperature for operation	0...60 °C conforming to EN 61131-2
Ambient air temperature for storage	-20...60 °C
Relative humidity	10...90 % non-condensing
Operating altitude	2000 m
Vibration resistance	3.5 mm constant amplitude (f = 5...9 Hz) conforming to EN/IEC 61131-2
Shock resistance	147 m/s ² conforming to EN/IEC 61131-2
Electromagnetic compatibility	Electrostatic discharge immunity test level 3 conforming to EN/IEC 61000-4-2

Packing Units

Unit Type of Package 1	PCE
Number of Units in Package 1	1
Package 1 Height	13.5 cm
Package 1 Width	21.0 cm
Package 1 Length	26.0 cm
Package 1 Weight	1.397 kg
Unit Type of Package 2	CAR
Number of Units in Package 2	8
Package 2 Height	33.5 cm
Package 2 Width	45.5 cm
Package 2 Length	55.0 cm
Package 2 Weight	13.056 kg

Sustainability

Green Premium™ label is Schneider Electric's commitment to delivering products with best-in-class environmental performance. Green Premium promises compliance with the latest regulations, transparency on environmental impacts, as well as circular and low-CO₂ products.

Guide to assessing product sustainability is a white paper that clarifies global eco-label standards and how to interpret environmental declarations.


[Learn more about Green Premium >](#)

[Guide to assess a product's sustainability >](#)



Transparency RoHS/REACH

Well-being performance

 **Rohs Exemption Information** Yes

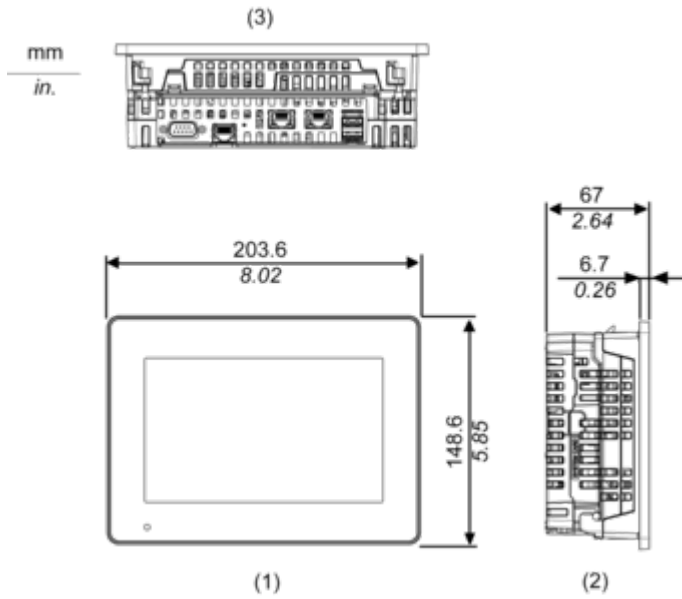
Certifications & Standards

Reach Regulation	REACH Declaration
Eu Rohs Directive	Pro-active compliance (Product out of EU RoHS legal scope) EU RoHS Declaration
China Rohs Regulation	China RoHS declaration
Environmental Disclosure	Product Environmental Profile
Weee	The product must be disposed on European Union markets following specific waste collection and never end up in rubbish bins
Circularity Profile	End of Life Information
California Proposition 65	WARNING: This product can expose you to chemicals including: Lead and lead compounds, which is known to the State of California to cause cancer and birth defects or other reproductive harm. For more information go to www.P65Warnings.ca.gov

Dimensions Drawings

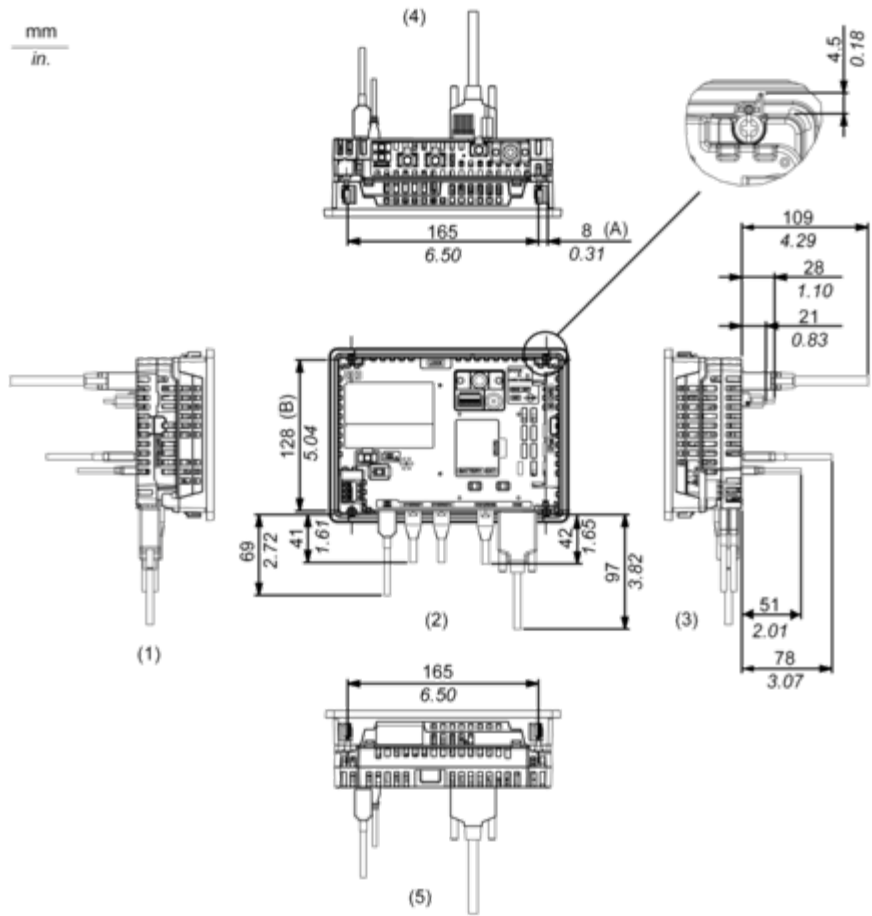
External Dimensions

Display Unit with Box Module



- 1 Front
- 2 Left
- 3 Bottom

Installation with Installation Fasteners and Dimensions with Cables



(A) Rotation area of the fastener

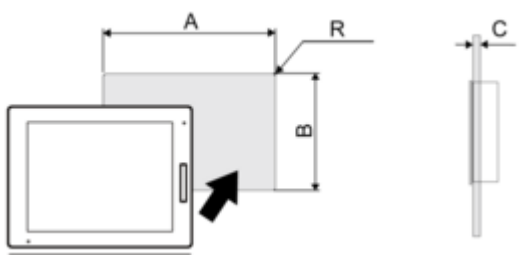
(B) Pitch of the center of installation fastner screws

- 1 Right
- 2 Front
- 3 Left
- 4 Bottom
- 5 Top

Mounting and Clearance

Mounting

Panel Cut Dimensions



Dimensions in mm

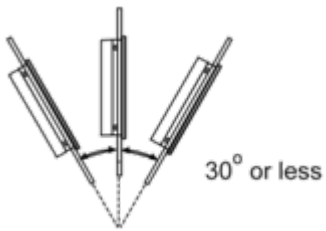
A	B	C	R
190 (+1/-0)	135 (+1/-0)	1.6...5	3 max.

Dimensions in in.

A	B	C	R
7.48 (+0.04/-0)	5.31 (+0.04/-0)	0.06...0.2	0.12 max.

Installation Requirements

Mounting Angle



When installing this product in a slanted position with an incline more than 30°, the ambient temperature must not exceed 40 °C (104 °F). You may need to use forced air cooling (fan, A/C) to ensure the ambient operating temperature is 40 °C or less (104 °F or less).

Clearance

