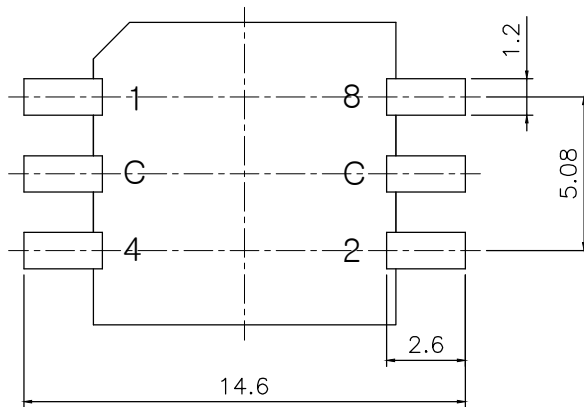
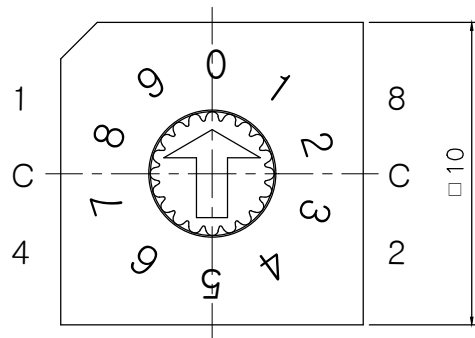


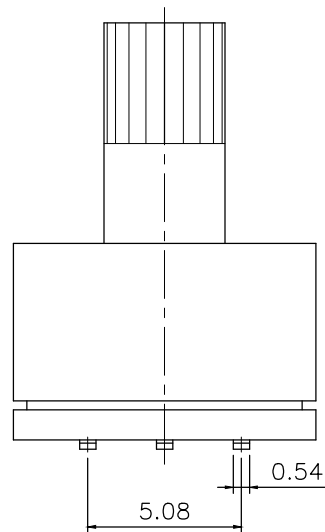
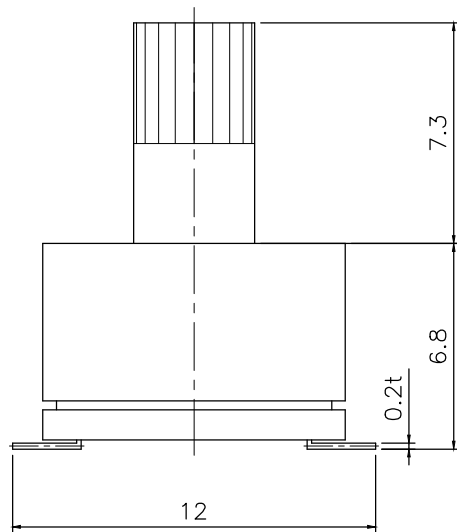
MRK.	DATE	REVISION	SIGN
△			



P.C.B DIMENSION (TOP VIEW)

## SPECIFICATION

- RATING : 150mA 42V DC (SWITCHING)  
200mA, 42V DC (NONE-SWITCHING)
- CONTACT RESISTANCE : 80mΩ MAX.
- INSULATION RESISTANCE : 100MΩ MIN.
- OPERATING FORCE : 700gf MAX.
- LIFE CYCLE : 10,000 STEPS
- SEALING : COMPARABLE WITH IP67



		Real Code				
		C	1	2	4	8
10 P o s i t i o n	0	●				
	1	●	●			
	2	●		●		
	3	●	●	●		
	4	●			●	
	5	●	●		●	
	6	●		●	●	
	7	●	●	●	●	
	8	●				●
	9	●	●			●
16 P o s i t i o n	A	●		●		●
	B	●	●	●		●
	C	●			●	●
	D	●	●		●	●
	E	●		●	●	●
	F	●	●	●	●	●

01	-	-	-	1	-
NO.	DESCRIPTION	MATERIAL	COLOR/FINISH	Q.TY	VENDOR
Y.N.JEON	S.M.PARK	J.P.ROH			
2018-12-27					
SUNG MUN ELECTRONICS CO.,LTD					

 G.TOL ±0.3	TITLE	ROTARY SWITCH	
 UNIT mm	SCALE	4:1	
 SIZE A4	MODEL	QSR-10S	
	DRAW NO.	QQSR-10S0-01	
		SHEET	
		1/1	