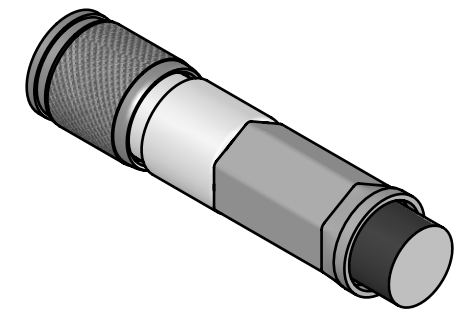


RECOMMENDED CABLE: BELDEN B1505A

CRIMPED FERRULE HEX CRIMP SIZE .255 [6.48].

CRIMPED CONTACT PIN HEX CRIMP SIZE .042 [1.07].

ALTERNATE CONTACT PIN RADIAL CRIMP TOOL:
 - DANIELS HAND TOOL NUMBER: MH992 OR MH995
 - DANIELS POSTIONER NUMBER: K1803



NOTES:

1. BODY: COPPER ALLOY, NICKEL PLATED.
2. CONTACT PIN: COPPER ALLOY, GOLD PLATED.
3. SPRING: BERYLLIUM COPPER, NICKEL PLATED.
4. TINE CONTACT: BERYLLIUM COPPER, GOLD PLATED.
5. INSULATOR: TEFLON
6. FERRULE: COPPER ALLOY, NICKEL PLATED.
7. CHARACTERISTIC IMPEDANCE: 75 OHMS, 3 GHz BANDWIDTH.
8. RETURN LOSS: MEETS HDTV SMPTE 424M SPECIFICATION.
9. DIMENSIONS ARE FOR REFERENCE ONLY.
10. THIS PRODUCT IS RoHS COMPLIANT.

RECOMMENDED CABLE STRIPPING AND CRIMPING DIMENSIONS

CUSTOMER DRAWING

REV	ECO NUMBER	DATE	BY	APVD
B	26729	01/24/12	TS	BDS
A	26641	04/29/10	ZS	SRC

UNLESS OTHERWISE SPECIFIED

1. ALL DIMENSIONS IN INCHES

- TWO PLACE DECIMALS ±0.02

- THREE PLACE DECIMALS ±0.005

DO NOT SCALE DRAWING

THIS DRAWING DESCRIBES A DESIGN CONSIDERED PROPRIETARY IN NATURE, DEVELOPED AND MANUFACTURED BY SWITCHCRAFT INC. AND IS RELEASED ON A CONFIDENTIAL BASIS FOR IDENTIFICATION PURPOSES ONLY.									
SIZE *	WIDTH *	MULT *	LBS/M *	TEMPER *	MATERIAL SEE NOTES				
FINISH *					SPEC No. *				
FIRST USED ON *					SCALE 4:1				
DATE DRAWN	BY	CHKD	APVD	Switecraft®					
04/29/10	ZS	04/29/10	04/29/10	SHEET 1 OF 1					
NAME			PART No.			REV			
DIN 1.0/2.3 PLUG, 75 OHMS, RoHS			DIN1505A			B			