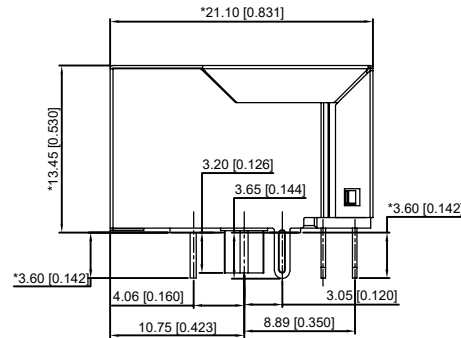
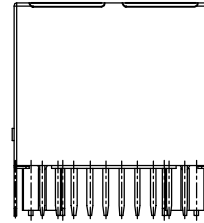


LEFT SIDE VIEW

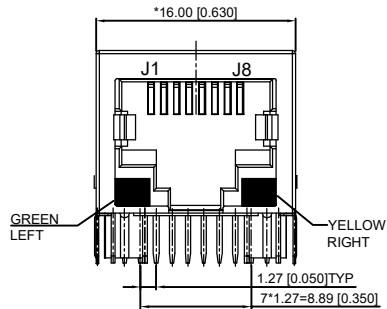


RIGHT SIDE VIEW

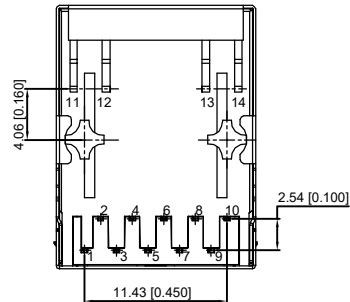
XKB Connectivity



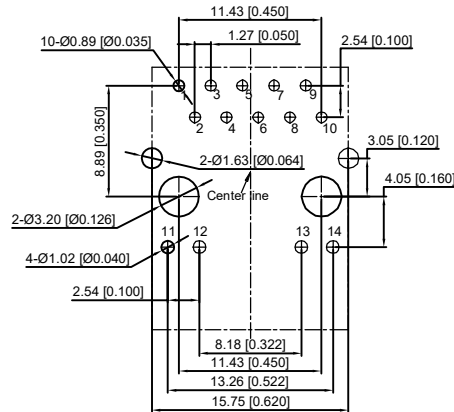
BACK VIEW



FRONT VIEW

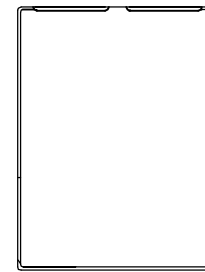


BOTTOM VIEW



RECOMMENDED PCB LAYOUT
VIEWED FROM COMPONENT SIDE

XKB Connectivity



TOP VIEW

XKB Connectivity

MATERIAL 材料:

HOUSING : PBT,UL94V-0,BLACK.

TERMINALS BRACKET 端子支架: PBT,UL94V-0,BLACK.

SHIELD 保护物: C2680,T=0.20MM,NICKEL PLATING ON ALL AREA.

TERMINAL 端子: PHOSPHOR BRONZE C5210,T=0.35MM,
GOLD PLATING ON CONTACT AREA.

MECHANICAL 机械:

DURABILITY 耐用性: 750 CYCLES MIN.

MATING FORCE 配合力: 23N MAX.

OPERATING TEMPERATURE 工作温度: -40°C~+85°C.

STORAGE TEMPERATURE 储存温度: -40°C~+85°C.

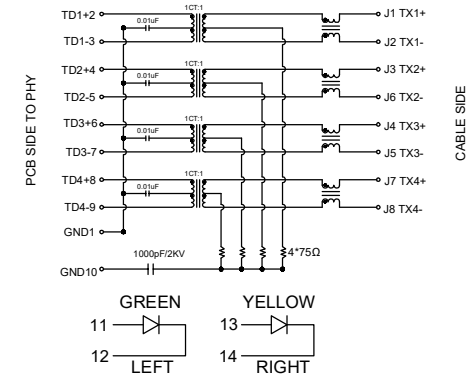
ALL CRITICAL DIMENSIONS WITH "***"

Electrical 电气:

- Turn ratio 匝数比: 2~3:J1~J2=1CT:1CT(±2%),
4~5:J3~J6=1CT:1CT(±2%)
6~7:J4~J5=1CT:1CT(±2%)
8~9:J7~J8=1CT:1CT(±2%)
- OCL: 350uH Min. at 100KHz 100mV 8mA DC.
- Insertion Loss 插入损耗: -1.0 dB Max 1~100MHz.
- Return loss 回波损耗: -18dB Min 1~30MHz,
-14dB Min 30~60MHz,
-12dB Min 60~80MHz,
-10dB Min 80~100MHz.
- Cross talk: -40dB Min 1~30MHz;
-35dB Min 30~60MHz;
-30dB Min 60~100MHz;
- CMR: -30dB Min 1~100MHz;
- Hi-Pot: 2250V DC 6S 1mA PRI TO SEC.

LED Specification

Standard LED Color	LED Wavelength	Forward(A)	Forward(V)
Green	568nm	20mA	1.85-2.45V
Yellow	585nm	20mA	1.7-2.2V



					DSND	DATE	SCALE: N/A	MODEL TYPE: RJ JACK
ΔX					DWN	DATE	VIEW:	PART NO.:
ΔX					CHKD	DATE	UNIT: mm/in	DWG NO.:
ΔX					APPD	DATE	SIZE: A4	X01AQ038AB2AD
MARK	DESCRIPTION	DATE	REVISED	APPROVED	UNSPECIFIED TOLERANCES			WEIGHT
REVISIONS					XKB INDUSTRIAL PRECISION CO., LIMITED			SHEET
www.xk-dg.cn www.helloxkb.com www.helloxkb.cn								REVISION
								1.0g
								1/1
								A0