

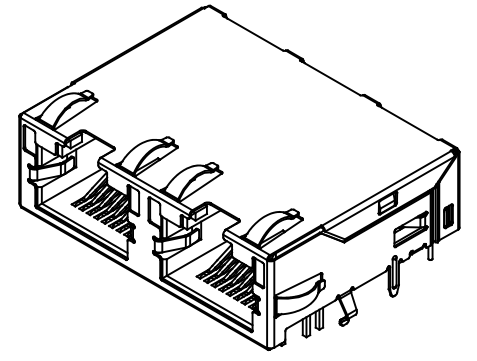
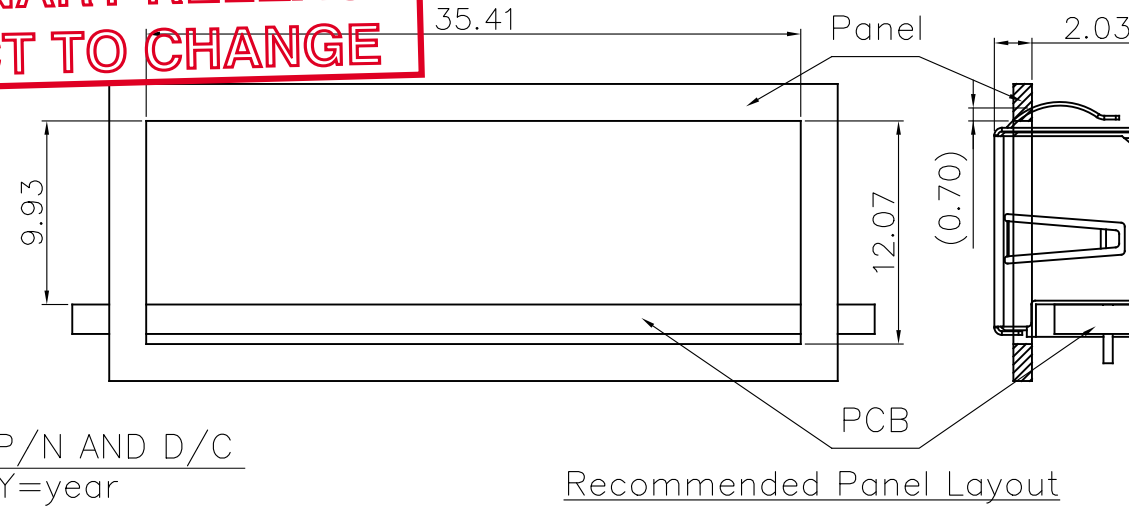
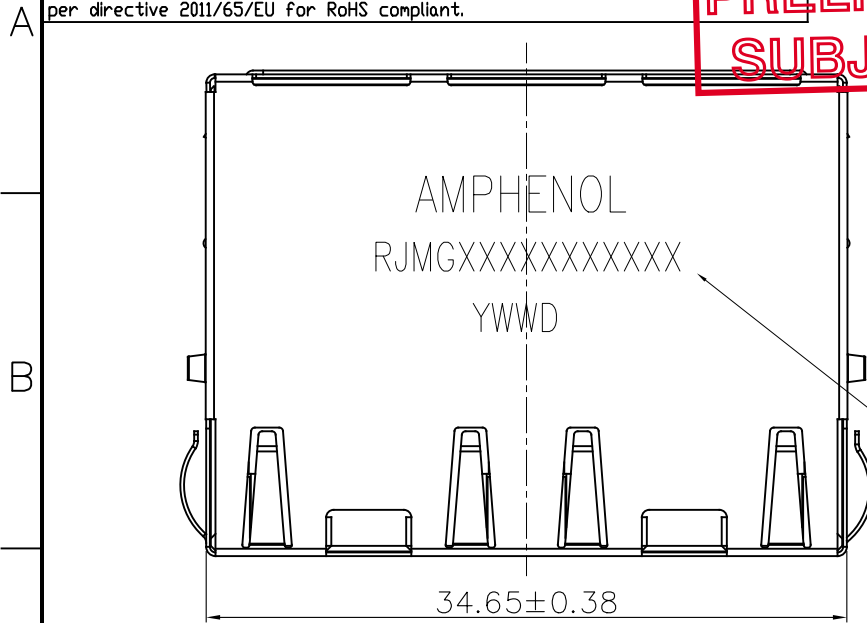
This document is the property of Amphenol Corporation and is delivered on the express condition that it is not to be disclosed, reproduced or used, in whole or in part, for manufacture or sale by anyone other than Amphenol Corporation without its prior consent, and that no right is granted to disclose or to use any information in this document.

The marking on this product doesn't contain environmental hazardous materials per Material Specification SS-00259 for Sony GP compliant per directive 2011/65/EU for RoHS compliant.

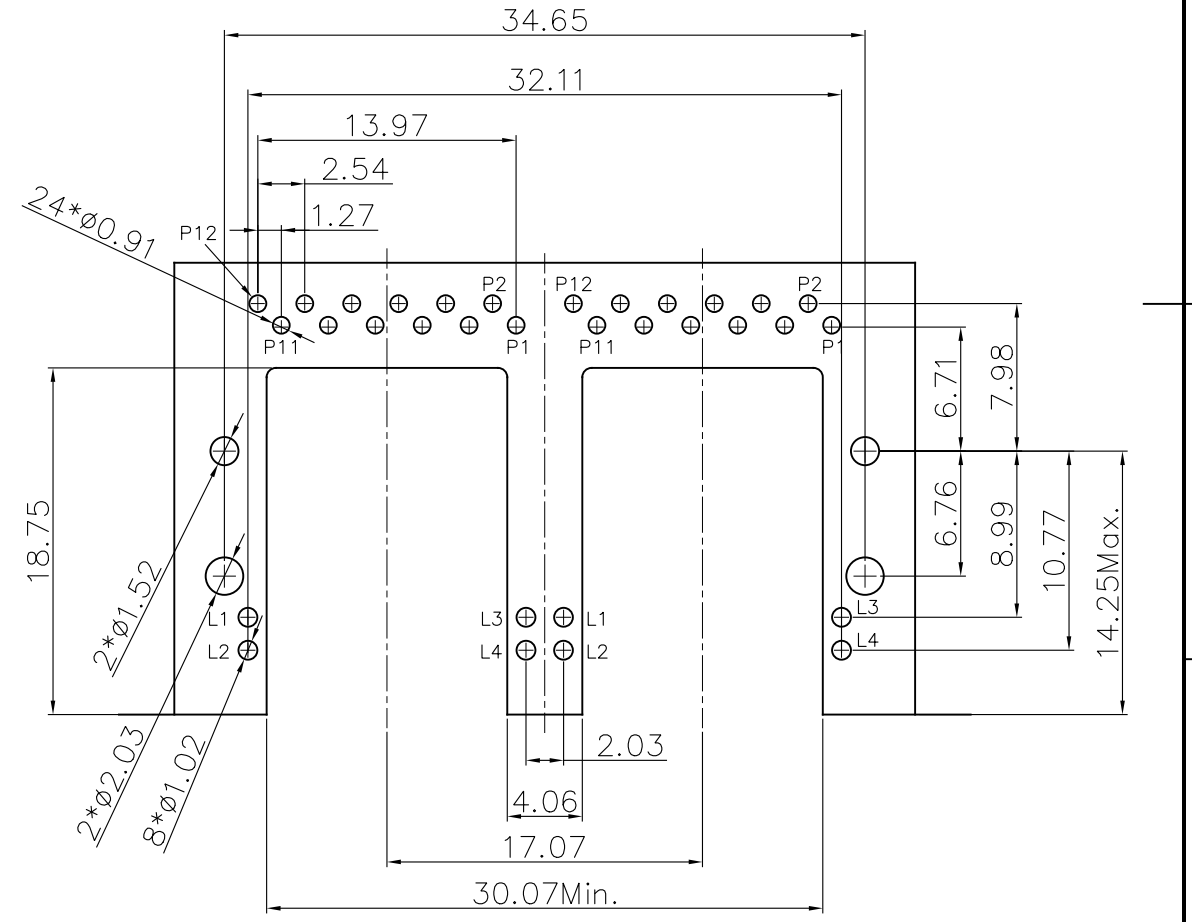
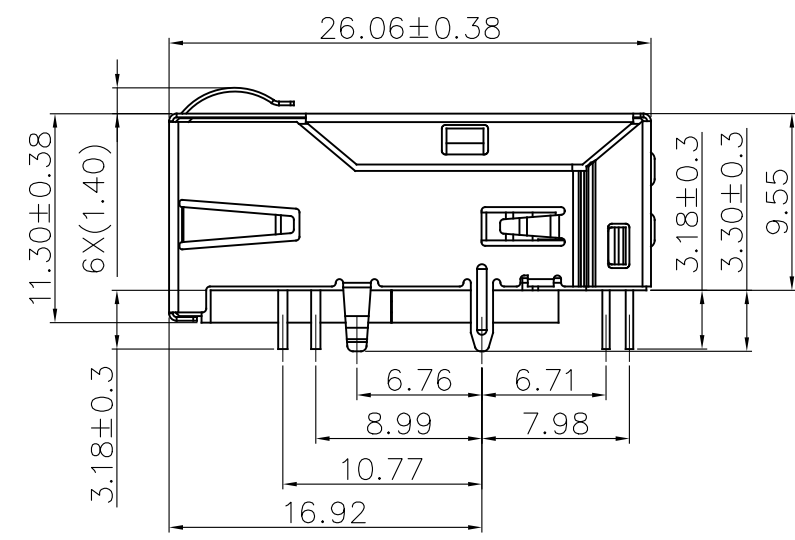
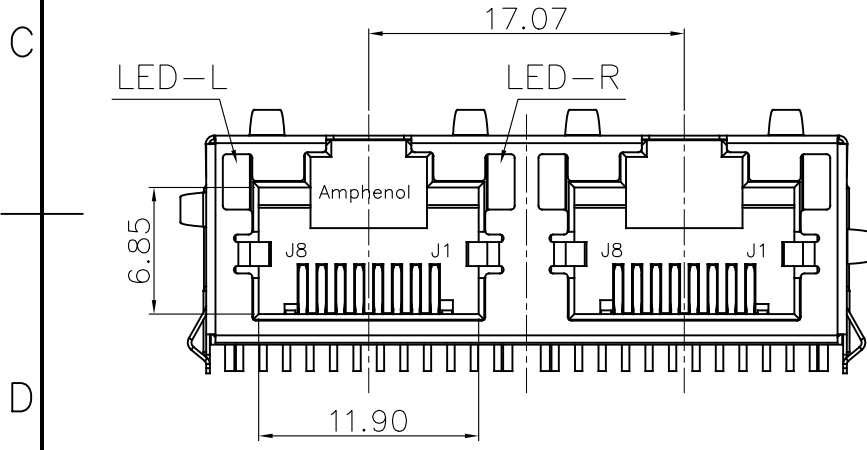
CUSTOMER DRAWING

REVISIONS				
SYM	ECN No.	DESCRIPTION	DATE	APPROVED
AX1	/	NEW PROPOSAL DRAWING	02/20/2020	Lawrence Chan
AX2	/	UPDATE DRAWING:Update product appearance	02/26/2020	Lawrence Chan

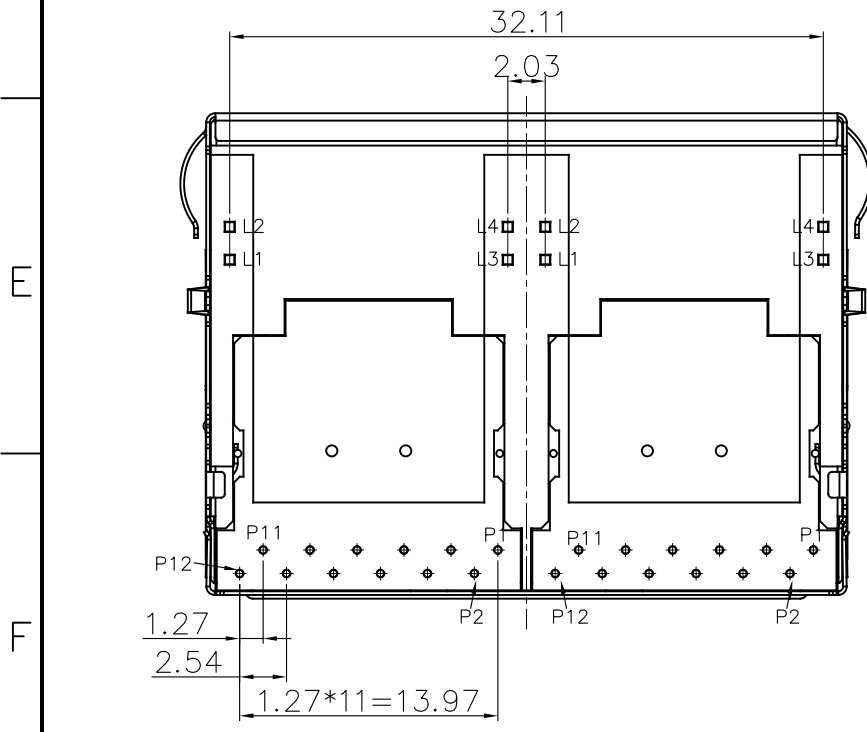
**PRELIMINARY RELEASE
SUBJECT TO CHANGE**



P/N AND D/C
Y=year
WW=week
D=day



Recommended PCB Layout
(Tol: ±0.05, T=1.60±0.15mm)



TOLERANCE	APPROVALS	DATE	TITLE		Amphenol®	
X. ±0.35	DRAWN Arvin Ye	02/26/2020	RJ45 1X2 GIGABIT WITH FILTER & W/ LED OPTION TYPE		Amphenol Corporation Amphenol Taiwan Corporation	
X.X ±0.25	CHECKED Vivian Wen	02/26/2020				
X.XX ±0.15	APPROVED Lawrence Chan	02/26/2020	UNIT mm	SIZE A3	PART No. RJMG212S2XX30XR	
ANGULAR ±1°	DWG TYPE CUST DWG	PROJECT CODE RJMG			SCALE NA	SHEET 1 OF 2
UNLESS OTHERWISE SPECIFIED						

This document is the property of Amphenol Corporation and is delivered on the express condition that is not to be disclosed, reproduced or used, in whole or in part, for manufacture or sale by anyone other than Amphenol Corporation without its prior consent, and that no right is granted to disclose or to use any information in this document.

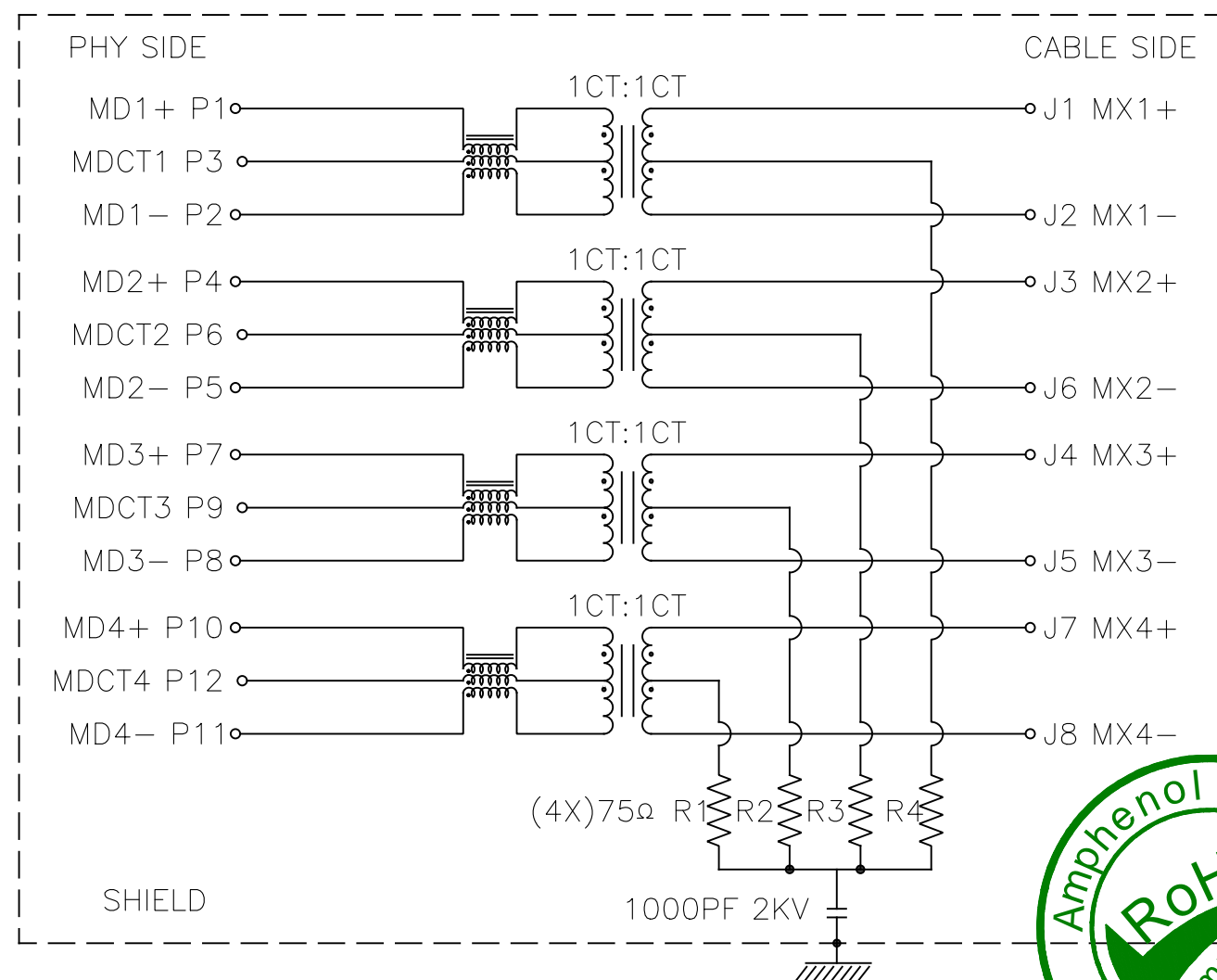
The marking on this product doesn't contain environmental hazardous materials per Material Specification SS-00259 for Sony GP compliant or per directive 2011/65/EU for RoHS compliant.

CUSTOMER DRAWING

**PRELIMINARY RELEASE
SUBJECT TO CHANGE**

REVISIONS				
SYM	ECN No.	DESCRIPTION	DATE	APPROVED
AX1	/	NEW PROPOSAL DRAWING	02/20/2020	Lawrence Chan
AX2	/	UPDATE DRAWING:Update product appearance	02/26/2020	Lawrence Chan

SCHEMATICS (100/1000BASE-T)



MATERIALS:

1.Terminal Parts:

- 1.1.RJ Terminal :Phosphor Bronze,Thickness=0.30mm
Finish:SELECT GOLD PLATING(SEE TABLE)ON CONTACT AREA.
100u" min. tin on solder tail area,underplating 50u" MIN. Nickel over all.
- 1.2.RJ input Terminal :,Phosphor Bronze,∅0.40mm
Finish:100u" min. tin over 50u" MIN. Nickel.

2.Plastic Parts:

- 2.1.Housing : LCP,BLACK,Flame Class:UL94 V-0
- 2.2.Coil Case : LCP,BLACK,Flame Class:UL94 V-0

3.Shell Parts:

- 3.1.Shield : Stainless steel,Thickness=0.20mm,50u" MIN. Ni PLATED OVERALL

OTHERS:

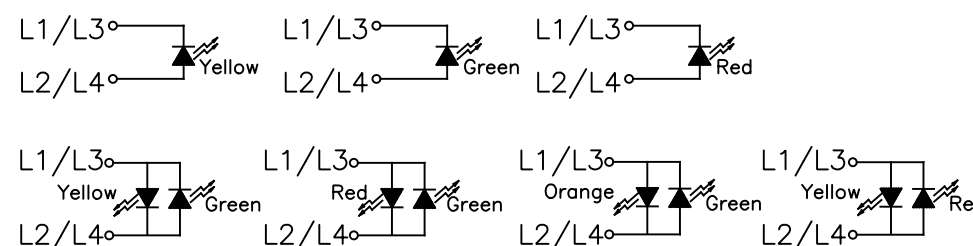
- 1.Operating Temperature : 0°C TO +70°C
- 2.Storage Temperature : -40°C TO +85°C
- 3.JACK CAVITY CONFORMS TO FCC RULES AND REGULATIONS PART 68 , SUBPART F
- 4. WAVE Soldering Temperature:260°C 10S MAX.



ELECTRICAL SPECIFICATION(@25° C) CONNECTOR PERFORMANCE

PARAMETER	LIMITS (MAX. OR MIN.)	FREQUENCY RANGE/ TEST CONDITIONS
INSERTION LOSS (RX/TX)	-1.0dB MAX. -1.2dB MAX.	1-100 MHz 100-125 MHz
RETURN LOSS (RX/TX)	-18dB MIN. -16dB MIN. -12dB MIN. -10dB MIN.	1-30 MHz 30-60 MHz 60-80 MHz 80-100 MHz
CM-CM REJECTION	-30dB MIN.	1-100 MHz
CROSSTALK ISOLATION (RX/TX)	-30dB MIN.	1-100 MHz
HIPOT (ISOLATION)	2250V DC	60 Sec.
OCL	350uH MIN.	100KHz 100mV 8mA
TURN RATIO	1:1±5%	

LED OPTION:



PART NO. RJMG212S2 X X 30 X R

RIGHT LED 1 CODE _____ Plating and Packaging:
LEFT LED 2 CODE _____ B: gold 6u", tray
C: gold flash, tray
D: gold 15u", tray
E: gold 30u", tray
F: gold 50u", tray

0: No LED's Blocked Hole
1: Green
2: Yellow
3: Red
4: Bi-color Green/ Yellow
5: Bi-color Red/Green
6: Bi-color Green/Orange
7: Bi-color Red/Yellow

TOLERANCE	APPROVALS	DATE	TITLE	Amphenol® Amphenol Corporation Amphenol Taiwan Corporation			
X. X.X ±0.35 X.XX ±0.25 X.XXX ±0.15	DRAWN Arvin Ye	02/26/2020	RJ45 1X2 GIGABIT WITH FILTER & W/ LED OPTION TYPE	PART No.	RJMG212S2XX30XR		
ANGULAR ±1°	CHECKED Vivian Wen	02/26/2020		DWG No.	RJMG212S2XX30XR		
UNLESS OTHERWISE SPECIFIED	APPROVED Lawrence Chan	02/26/2020		REV.	AX2		
	DWG TYPE CUST DWG	PROJECT CODE RJMG		UNIT	mm	SIZE	A3
				SCALE	NA	SHEET	2 OF 2