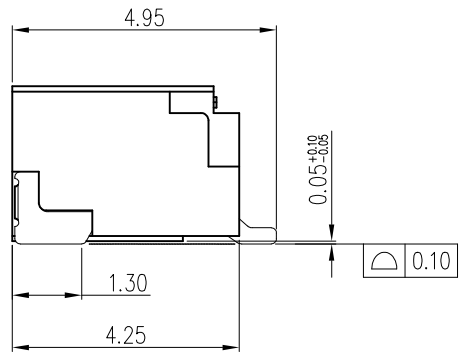
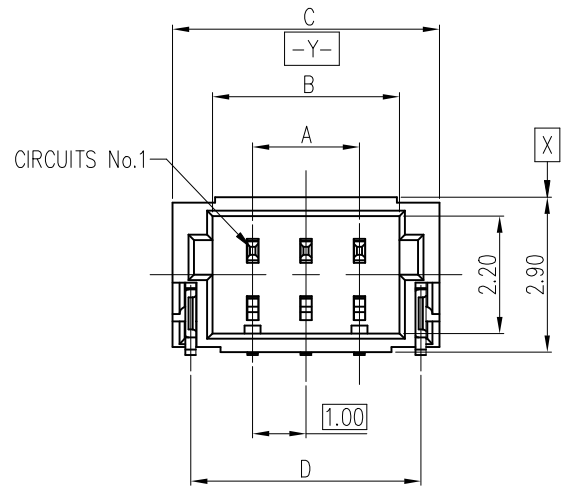


CUSTOMIZED TYPE (VOID 3PINS IN MIDDLE)
ONLY FOR 10147606-XXX05VLF



NOTES:

1. MATERIAL SPECIFICATION
 - 1.1 INSULATION: PA9T UL 94V-0.
 - 1.2 CONTACT: THICK 0.20mm BRASS.
 - 1.3 SOLDER TAB: THICK 0.20mm BRASS.
2. PLATING SPECIFICATION
 - 2.1 CONTACT: MATTE TIN/GOLD PLATED.
 - 2.2 SOLDER TAB: MATTE TIN PLATED.
3. PRODUCT SPEC: GS-12-1465
4. PACKAGING SPEC: GS-14-2613
5. USE WITH AFCI HOUSING 10147603
6. THIS HOUSING WILL WITHSTAND EXPOSURE TO 260°C PEAK TEMP FOR 10S IN A REFLOW OVEN.
7. BILL OF PART NO: 10147606 - X X X XX X LF

MATERIAL
 0: PA9T NATURAL
 1: PA9T BLACK
 2: PA9T NATURAL HALOGEN FREE
 3: PA9T BLACK HALOGEN FREE

LEAD FREE
 EXTEND CODE
 BLANK: GENERAL OPTION
 V: CUSTOMIZED OPTION

TOTAL POSITIONS
 02 TO 20

PACKAGING
 0: TAPE&REEL

PLATING
 0: 100u" MATTE TIN
 1: GOLD FLASH

DIMENSIONAL

POS	A	B	C	D	POS	A	B	C	D
2	1.00	2.50	4.00	3.30	12	11.00	12.50	14.00	13.30
3	2.00	3.50	5.00	4.30	13	12.00	13.50	15.00	14.30
4	3.00	4.50	6.00	5.30	14	13.00	14.50	16.00	15.30
5	4.00	5.50	7.00	6.30	15	14.00	15.50	17.00	16.30
6	5.00	6.50	8.00	7.30	16	15.00	16.50	18.00	17.60
7	6.00	7.50	9.00	8.30	17	16.00	17.50	19.00	18.30
8	7.00	8.50	10.00	9.30	18	17.00	18.50	20.00	19.30
9	8.00	9.50	11.00	10.30	19	18.00	19.50	21.00	20.30
10	9.00	10.50	12.00	11.30	20	19.00	20.50	22.00	21.30
11	10.00	11.50	13.00	12.30					

mat'l. code		surface <input checked="" type="checkbox"/> ISO 1302		tolerance <input checked="" type="checkbox"/> ISO 406		projection <input checked="" type="checkbox"/> ISO 1101		product family	
ltr		ecn no		dr		date		title	
B		ELX-N-35727		Jason		2019-12-25		1.0mm Right Angle Header	
D		ELX-N-41144		Jason		2021-6-22			
E		ELX-N-42589		Jason		2021-10-14			
F		ELX-N-45365		YS		2022-07-12			
				dr		TONY LENG 2018-03-19		dwg no	
				eng		Jason Wang 2021-10-14		sheet 1 of 2	
				chr				size	
				appd		TIM YAO 2021-10-14		A3	
sheet index		revision sheet		F 1		F 2		type Product Customer Drawing	

Amphenol FCI
 © 2016 AFCI

1

2 3

4

5

6

A

B

C

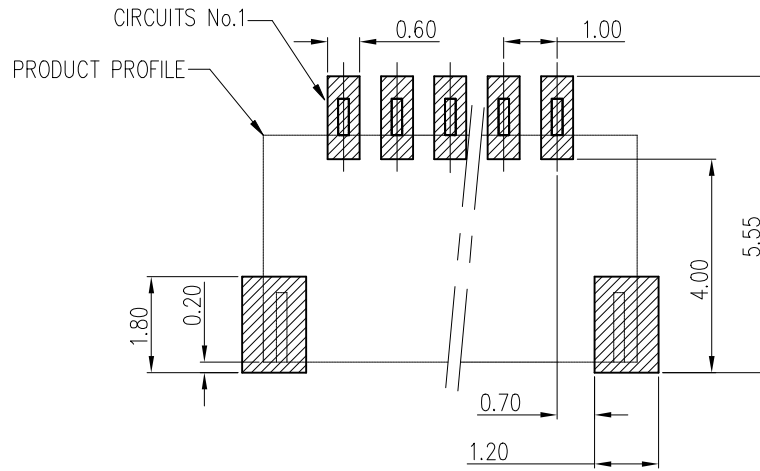
D

A

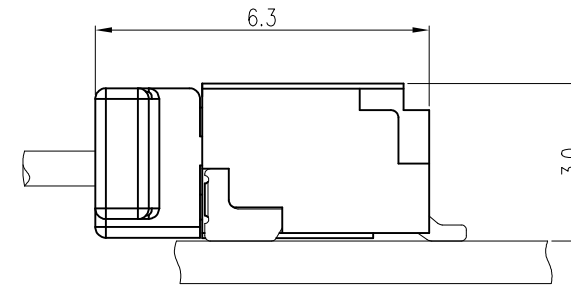
B

C

D



RECOMMENDED PCB LAYOUT(TOP SIDE)
GENERAL TOLERANCE ± 0.05



ASSEMBLY LAYOUT
SIDE ENTRY TYPE

Amphenol
FCI

© 2016 AFCI

mat'l. code		surface		tolerance		projection		product family					
		ISO 1302 <input checked="" type="checkbox"/>		ISO 406		ISO 1101 <input checked="" type="checkbox"/>		Minitek					
ltr	ecn no	dr	date	tolerances unless otherwise specified		mm		title					
F				angles	linear	mm		1.0mm Right Angle Header					
				0°±x'		scale 1:1							
		dr	TONY LENG	2018-03-19				dwg no					
		eng	Jason Wang	2021-10-14				sheet 2 of 2					
		chr	-	-				size					
		appd	TIM YAO	2021-10-14				A3					
sheet index		revision sheet	F 1	F 2						type		Product Customer Drawing	

