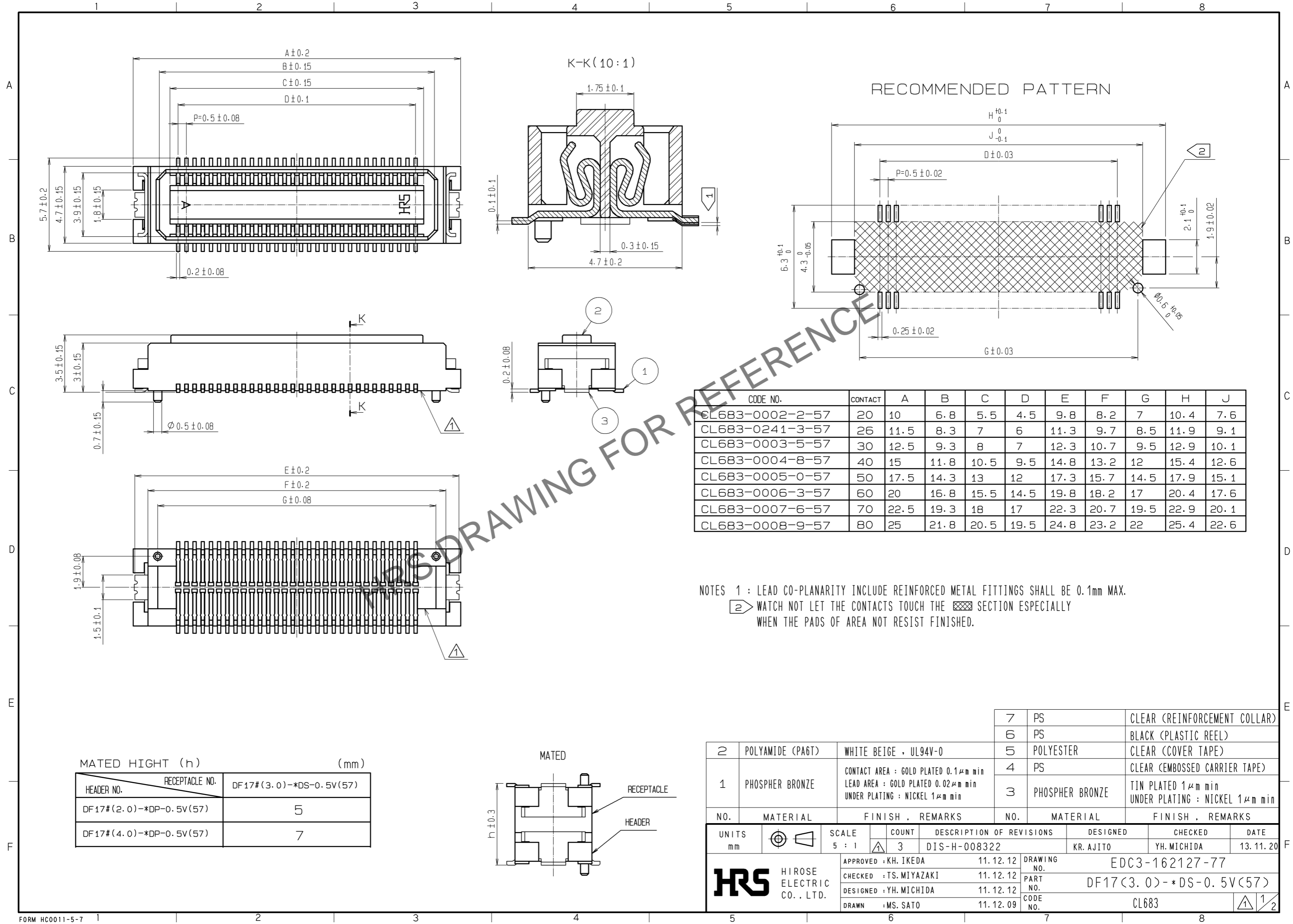
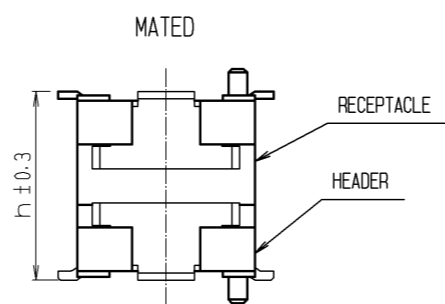


May.1.2024 Copyright 2024 HIROSE ELECTRIC CO., LTD. All Rights Reserved.
In case of consideration for using Automotive equipment / device which demand high reliability, kindly contact our sales window correspondents.



MATED HIGHT (h)		(mm)
HEADER NO.	RECEPTACLE NO.	
DF17#(2.0)-*DP-0.5V(57)	DF17#(3.0)-*DS-0.5V(57)	5
DF17#(4.0)-*DP-0.5V(57)		7

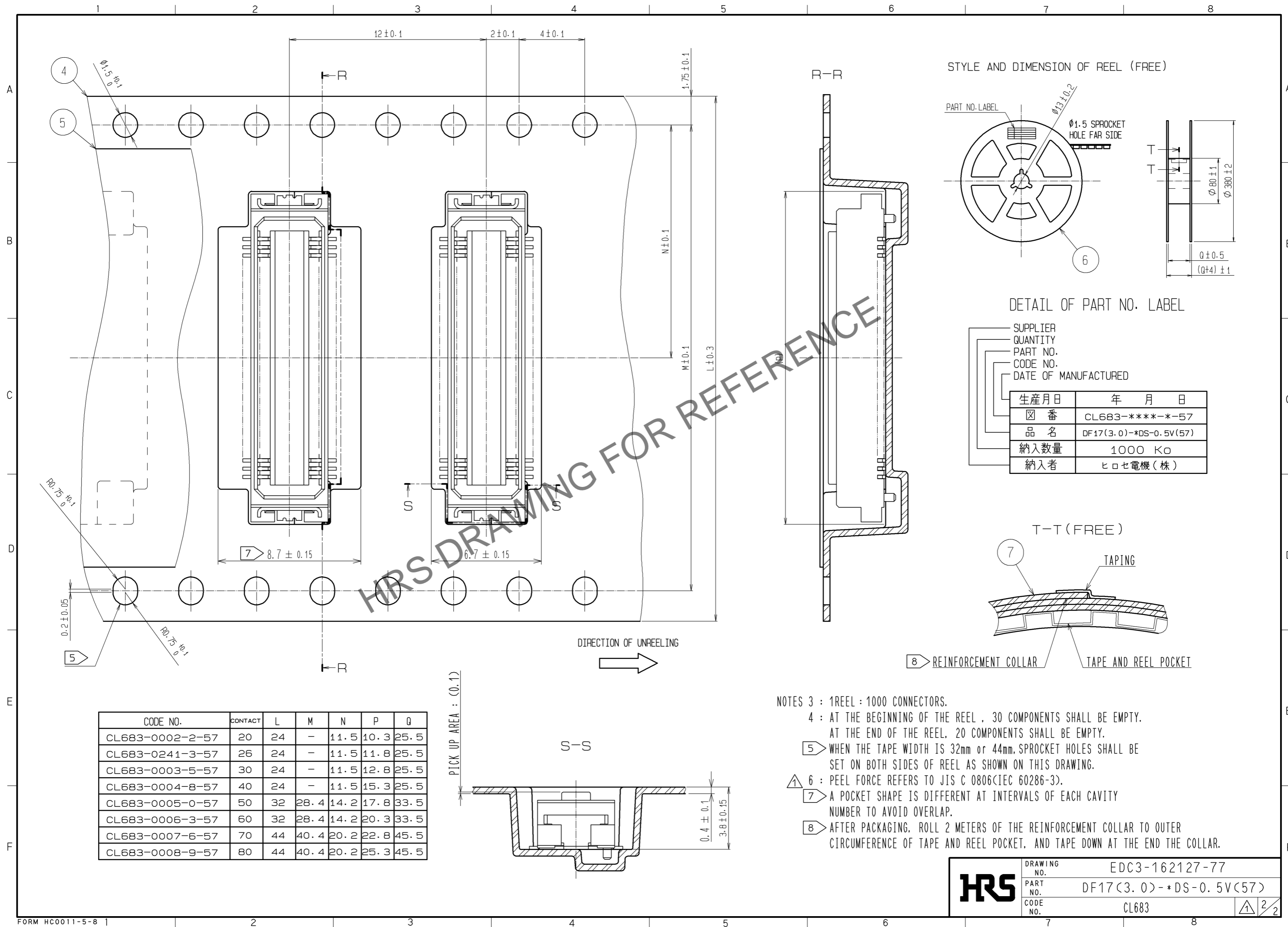


NO.	MATERIAL	FINISH . REMARKS	NO.	MATERIAL	FINISH . REMARKS
2	POLYAMIDE (PA6T)	WHITE BEIGE , UL94V-0	7	PS	CLEAR (REINFORCEMENT COLLAR)
1	PHOSPHER BRONZE	CONTACT AREA : GOLD PLATED 0.1μm min LEAD AREA : GOLD PLATED 0.02μm min UNDER PLATING : NICKEL 1μm min	6	PS	BLACK (PLASTIC REEL)
			5	POLYESTER	CLEAR (COVER TAPE)
			4	PS	CLEAR (EMBOSSED CARRIER TAPE)
			3	PHOSPHER BRONZE	TIN PLATED 1μm min UNDER PLATING : NICKEL 1μm min

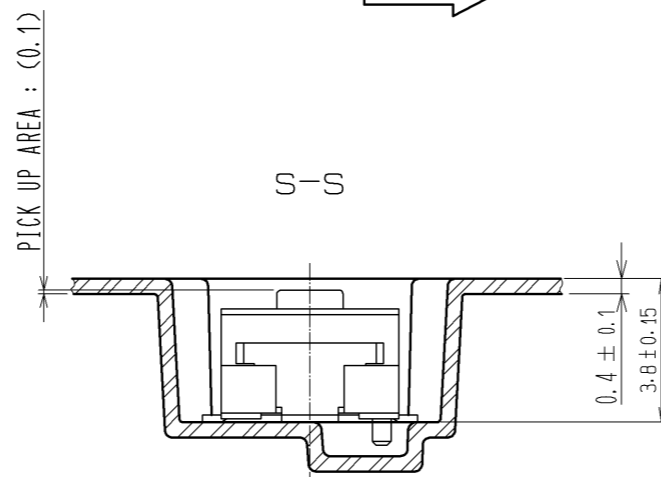
UNITS	SCALE	COUNT	DESCRIPTION OF REVISIONS	DESIGNED	CHECKED	DATE
mm	5 : 1	3	DIS-H-008322	KR. AJITO	YH. MICHIDA	13. 11. 20

APPROVED	11. 12. 12	DRAWING NO.	EDC3-162127-77
CHKD : TS. MIYAZAKI	11. 12. 12	PART NO.	DF17(3.0)-*DS-0.5V(57)
DESIGNED : YH. MICHIDA	11. 12. 12	CODE NO.	CL683
DRAWN : MS. SATO	11. 12. 09		

May.1.2024 Copyright 2024 HIROSE ELECTRIC CO., LTD. All Rights Reserved.
In case of consideration for using Automotive equipment / device which demand high reliability, kindly contact our sales window correspondents.



CODE NO.	CONTACT	L	M	N	P	Q
CL683-0002-2-57	20	24	-	11.5	10.3	25.5
CL683-0241-3-57	26	24	-	11.5	11.8	25.5
CL683-0003-5-57	30	24	-	11.5	12.8	25.5
CL683-0004-8-57	40	24	-	11.5	15.3	25.5
CL683-0005-0-57	50	32	28.4	14.2	17.8	33.5
CL683-0006-3-57	60	32	28.4	14.2	20.3	33.5
CL683-0007-6-57	70	44	40.4	20.2	22.8	45.5
CL683-0008-9-57	80	44	40.4	20.2	25.3	45.5



HRS	DRAWING NO.	EDC3-162127-77
	PART NO.	DF17(3.0)-*DS-0.5V(57)
	CODE NO.	CL683
		1/2