

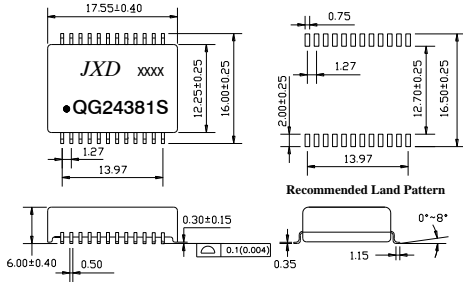
# QG24381S

## 2.5G POE+ Single Port Transformer Module

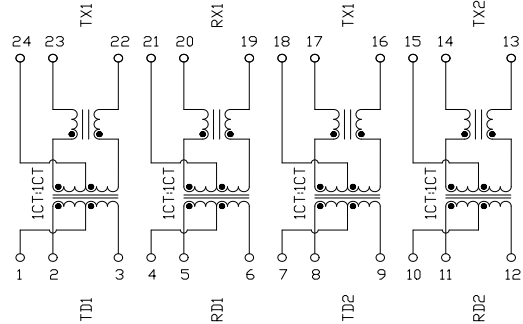
1. Designed for long haul 2.5G POE+ Single Port Transformer Module
2. Supports four pairs of category 5 UTP cable, Cable interface for isolation and low common mode emissions.
3. Low profile Surface Mount Packaging designed for Hi-Temp Reflow Process
4. Compliant with IEEE 802.3bz standard for 2.5G Base-Z, Designed to support 1:1 Turns Ratio Transceivers.
5. DC Line Current : 720mA Max @ 57V



### DIMENSIONS & SCHEMATICS



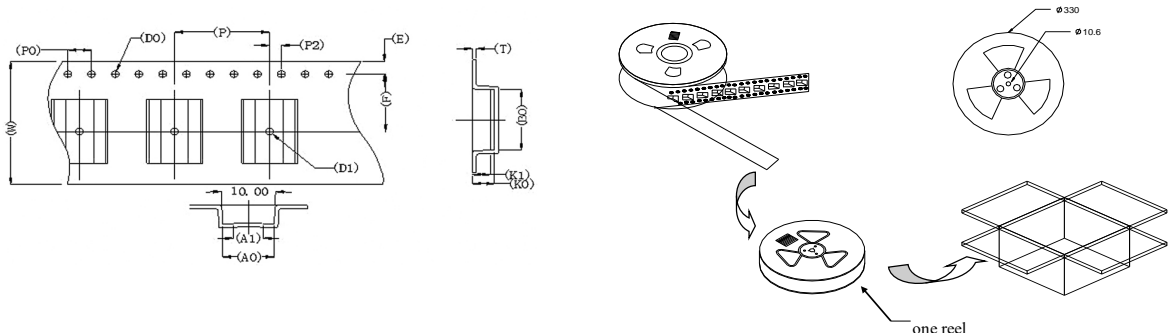
**Note:**  
 1. Dimension: mm  
 2. Unless otherwise specified, all tolerances are: ±0.15mm



### TECHNICAL SPECIFICATIONS

OCL :	160 $\mu$ H Min. @ 100 KHz, 100mV with 8mA DC Bias
Leakage Inductance:	0.5 $\mu$ H Max. @ 100KHz, 0.1V
Cw/w:	28 pF Max. @ 100KHz, 0.1V
DCR:	1.00 $\Omega$ Max
Turns Ratio ( $\pm 5\%$ ):	1CT:1(TX), 1CT:1(RX)
Polarity:	2-23, 5-20, 8-17, 11-14 In-Phase
Insertion Loss:	-0.5 dB Max. @ 1-50MHz -1.0dB Max. @50-125MHz -2.0dB Max. @ 125-200MHz
Return Loss:	-20 dB Min. @ 1-40MHz -15 dB Min. @100 MHz -9.5 dB Min. @200 MHz
Cross Talk:	-28 dB Min. @ 1-125 MHz -25 dB Min. @ 125-200MHz
Common Mode Rejection :	-25 dB Min. @ 1-200 MHz
Isolation HI-POT:	1500Vrms 1mA 1Second
Operating Temperature range:	-40 $^{\circ}$ C ~ +85 $^{\circ}$ C
Storage temperature range:	-40 $^{\circ}$ C ~ +125 $^{\circ}$ C

### PACKING SPECIFICATION



1. units/reel:400PCS
- 2 reel/carton:5PCS
- 3.units/carton :2000PCS