

[Find by Feature](#)
[Browse by Category](#)
[Share](#)

Enter part number or keyword

Search Results (134)

[Search Options](#)

134 Results:

1 2 3 4

12064971 Female Metri-Pack 150 Tin Plated Terminal, Cable range 0.35 - 0.50 mm2

[PDF](#) 12064971 LIX UL 1430 0,61 S

[PDF](#) 12064971 FL21X11Y300 0,5-4x S

[PDF](#) 12064971 GXL 0,5 S

[PDF](#) 12064971 FLR9Y 0,35 to 0,6 S

[PDF](#) 12064971 FLRY-A 0,35 to 0,5 S

[PDF](#) 12064971 FLRY-B 0,35 to 0,5 S

[PDF](#) 12064971 FLU142Y 0,35 to 0,5 S

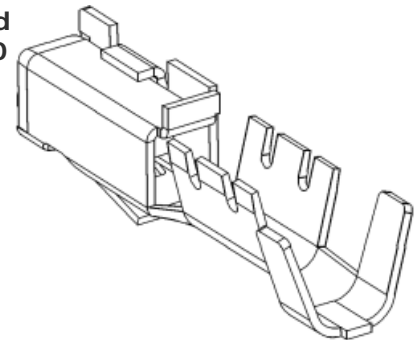
10719093 ASM CONN 2 F M/P 150 BLK SLD

10718786 CONN 2 F M/P 150 NAT SLD

1 2 3 4

Keyword: 12064971

Female Metri-Pack 150 Tin Plated Terminal, Cable range 0.35 - 0.50 mm2

Part #12064971

[Attributes](#)
[Documents \(15\)](#)

Part #:	12064971
Description:	Female Metri-Pack 150 Tin Plated Terminal, Cable range 0.35 - 0.50 mm2
Product Type:	Terminal
Status:	Active
Blade size [mm]:	1.5
Terminal family:	Metri-Pack
Series:	150
Gender:	Female
Sealed:	Unsealed
Plating:	Tin
Minimum Cable Core Cross Section [mm2]:	0.35
Maximum Cable Core Cross Section [mm2]:	0.50
Minimum Cable Diameter [mm]:	1.30
Maximum Cable Diameter [mm]:	2.20
Current range [A]:	14
Temperature range []:	-40 to 125

Certain products listed on this website may be subject to restricted usage or distribution or may not be available. For additional information, please contact your local sales office.