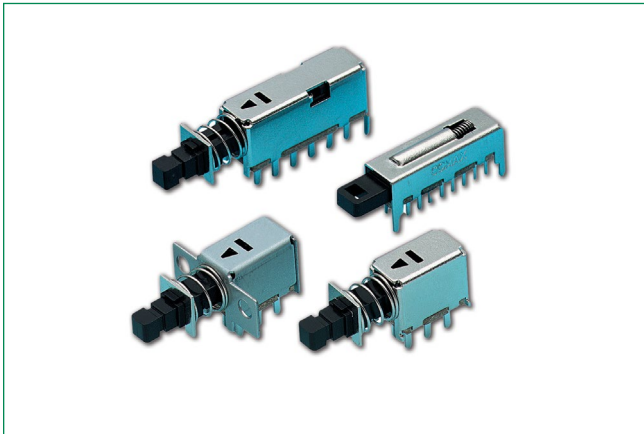


PS Series

Miniature Pushbutton Switches



Description

PS series Miniature Pushbutton Switches are integrated into innovative audio & visual equipment, telecommunications, industrial and automotive products by some of the world's leading designers. The PS series are miniature switches available in momentary or latching options, as well as a broad range of style choices.

Features & Benefits

- Miniature size
- Momentary or latching options
- Broad range of products

Applications

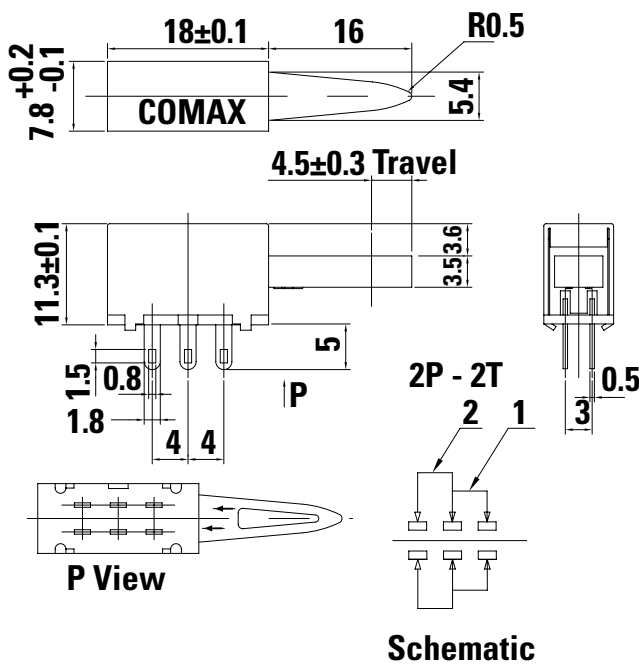
- Industrial
- Automotive
- Audio and visual equipment
- Telecommunications

Ordering Number

Part number list is shown below. For individual part details, please refer to the following pages.

Part Number (Part Description)	Product Details
PS-22105	DPDT, non-shorting, RT angle with metal frame

PS-22105 DPDT Non-Shorting



Specifications

Contact Rating	0.3A @ 30 VDC
Initial Contact Resistance	30 m ohms max.
Insulation Resistance	100 M ohms min.
Dielectric Strength	500 V AC (50-60 Hz) between open terminals and between the frame and terminal.
Operating Life	10,000 cycles with load
Operating Force	400 ± 150 gf (3.92 ± 1.47N)
Total Travel	4.5 mm ± 0.3 mm
Operating Temperature	-20°C to 70°C

Materials

Frame	SECC
Knob	POM (UL 94HB)
Contact Plate	Silver clad
Spring	SUS
Terminal	Silver plated

PS Series

Miniature Pushbutton Switches



Ordering Number

Part number list is shown below. For individual part details, please refer to the following pages.

Part Number (Part Description)	Product Details
PS-12C02-F NS	SPST non-shorting, mom
PS-32C02-F NS	1P3T non-shorting, mom, pitch: 7.2 mm
PS-42C02-F NS	1P4T non-shorting, mom, pitch: 7.2 mm

PS-12C02-F NS SPST Non-Shorting

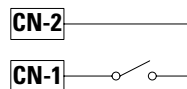
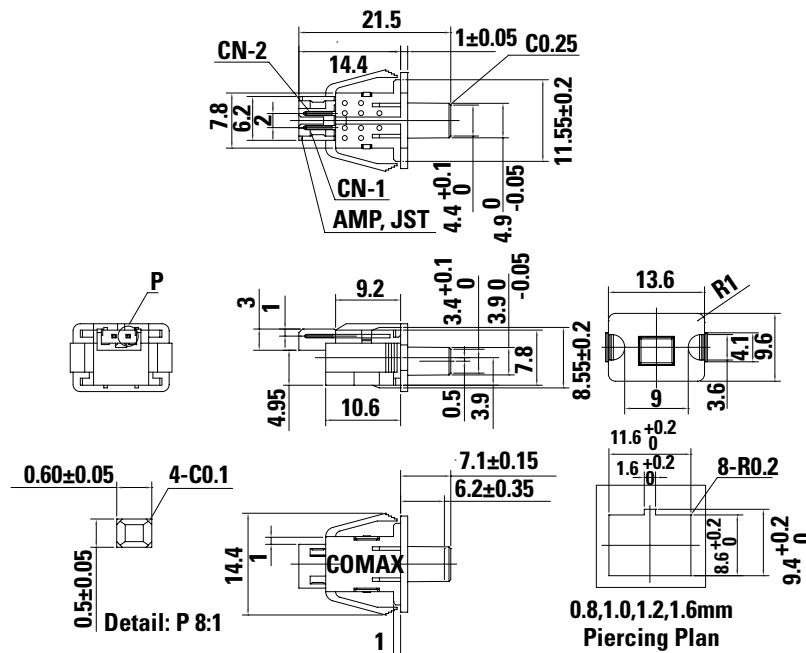
Materials

Cover	PA (UL 94V-0)
Knob	POM (UL 94HB)
Housing	PA (UL 94V-0)
Spring	SUS
Terminal	Silver plated

Specifications

Contact Rating	100 µA @ 3 VDC min. / 10mA @ 5 VDC max.
Initial Contact Resistance	100 m ohms max.
Insulation Resistance	100 M ohms min.
Dielectric Strength	250 V AC (50-60 Hz) between open terminals and between the frame and terminal.
Operating Life	100,000 cycles with load
Operating Force	50 ± 15 gf (0.49 ± 0.147N)
Total Travel	6.20 mm ± 0.35 mm
Operating Temperature	-40°C to 85°C

Dimensions



Schematic

PS Series

Miniature Pushbutton Switches



PS-32C02-F NS 1P3T Non-Shorting

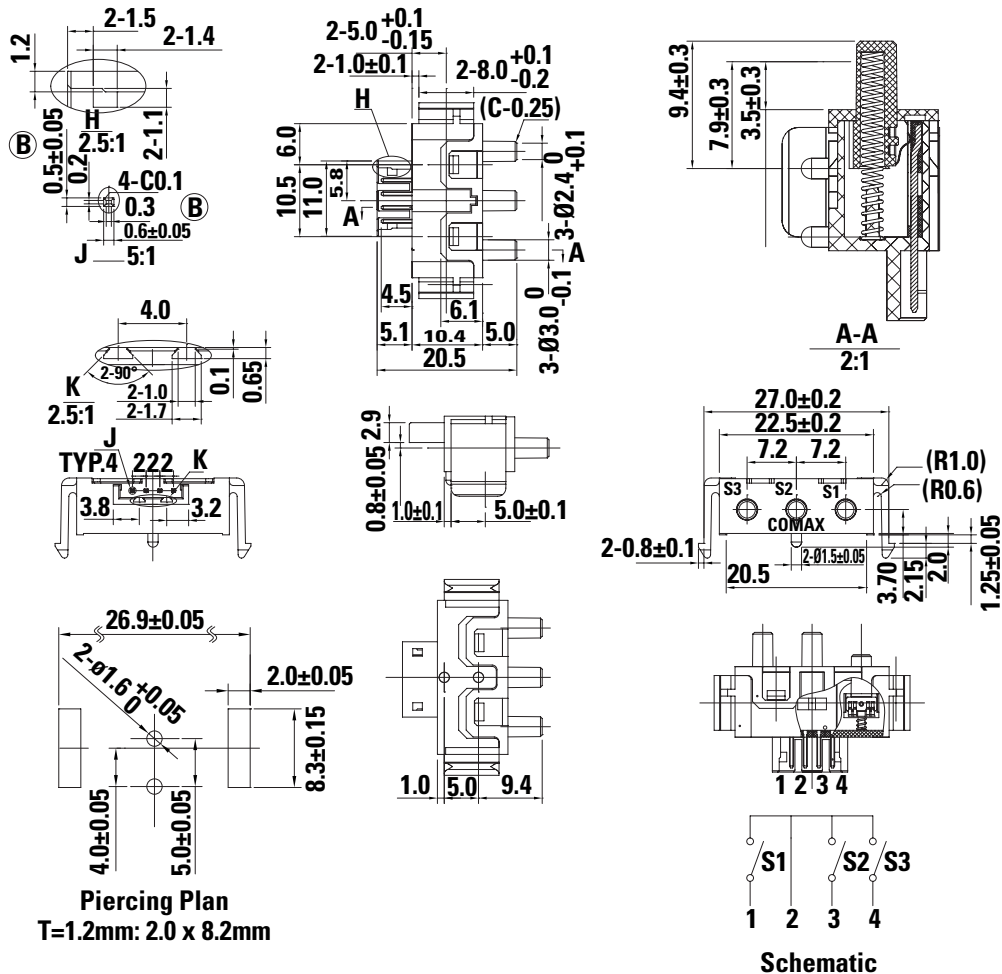
Materials

Cover	PA (UL 94V-0)
Knob	POM (UL 94HB)
Housing	PA (UL 94V-0)
Spring	SUS
Terminal	Silver plated

Specifications

Contact Rating	100 μ A @ 3 VDC min. / 10mA @ 5 VDC max.
Initial Contact Resistance	100 m ohms max.
Insulation Resistance	100 M ohms min.
Dielectric Strength	250 V AC (50-60 Hz) between open terminals and between the frame and terminal.
Operating Life	100,000 cycles with load
Operating Force	80 \pm 20 gf (0.784 \pm 0.196N)
Pre-Travel	1.5 \pm 0.3 mm
Over-Travel	3.5 \pm 0.3 mm
Total Travel	5 mm \pm 0.3 mm
Operating Temperature	-20°C to 65°C

Dimensions



PS Series

Miniature Pushbutton Switches



PS-42C02-F NS 1P4T Non-Shorting

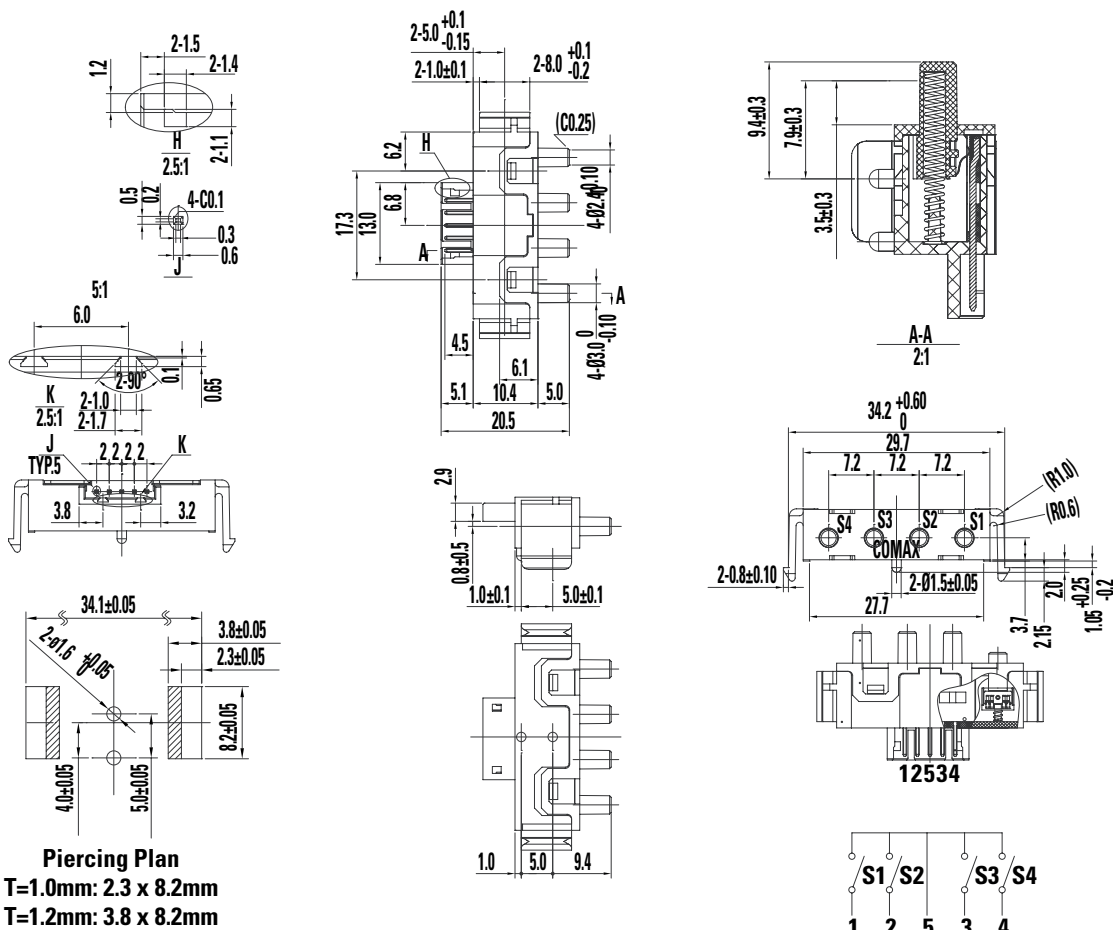
Materials

Cover	PA (UL 94V-0)
Knob	POM (UL 94HB)
Housing	PA (UL 94V-0)
Spring	SUS
Terminal	Silver plated

Specifications

Contact Rating	100 μ A @ 3 VDC min. / 10mA @ 5 VDC max.
Initial Contact Resistance	100 m ohms max.
Insulation Resistance	100 M ohms min.
Dielectric Strength	250 V AC (50-60 Hz) between open terminals and between the frame and terminal.
Operating Life	100,000 cycles with load
Operating Force	80 \pm 20 gf (0.784 \pm 0.196N)
Pre-Travel	1.5 \pm 0.3 mm
Over-Travel	3.5 \pm 0.3 mm
Total Travel	5 mm \pm 0.3 mm
Operating Temperature	-20°C to 65°C

Dimensions



Piercing Plan
T=1.0mm: 2.3 x 8.2mm
T=1.2mm: 3.8 x 8.2mm

Schematic

Disclaimer Notice - Information furnished is believed to be accurate and reliable. However, users should independently evaluate the suitability of and test each product selected for their own applications. Littelfuse products are not designed for, and may not be used in, all applications. Read complete Disclaimer Notice at <http://www.littelfuse.com/disclaimer-electronics>.

PS-12G Series

Pushbutton Switches



PS-12G01

PS-12G03

Ordering Number

Part number list is shown below. For individual part details, please refer to the following pages.

Part Number (Part Description)	Product Details
PS-12G01	SPDT, non-shorting with lock, 1A @ 14 VDC, white actuator
PS-12G03	SPDT, non-shorting with lock, 2.2A @ 14.5 VDC, black actuator

Description

PS series miniature pushbutton switches are integrated into innovative audio & visual equipment, telecommunications, industrial, and automotive products by some of the world's leading designers. The PS series are miniature switches available in momentary or latching options, as well as a broad range of style choices.

Features & Benefits

- Latching pushbutton
- Non-shorting with lock
- 5 mm travel
- SPDT

Applications

- Automotive interior lighting
- Computer peripherals
- Appliances

PS-12G Series

Pushbutton Switches



PS-12G01

Specifications

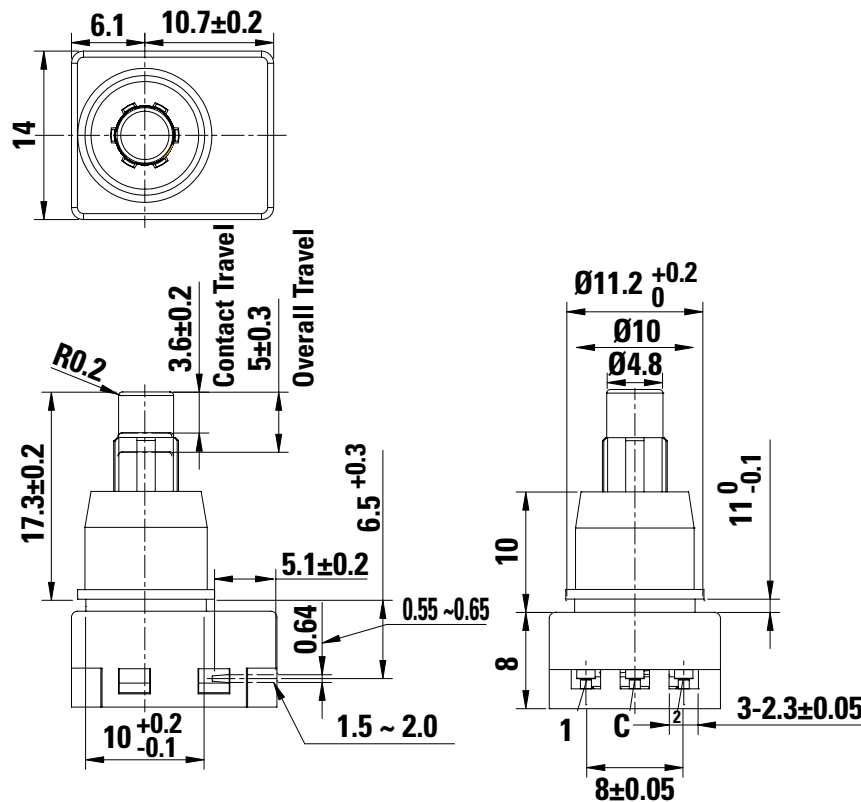
Width x Depth	14 x 16.8 mm
Height	18 mm
Contact Rating	1A @ 14 VDC
Initial Contact Resistance	100 m ohms max.
Insulation Resistance	100 M ohms min.
Dielectric Strength	500 V AC (50-60 Hz) between open terminals and between the frame and terminal.
Operating Life	20,000 cycles with load
Operating Force	400 ± 100 gf
Operating Position	3.6 ± 0.2 mm
Total Travel	5 ± 0.3 mm
Operating Temperature	-20°C to 70°C

Materials

Knob	POM (UL 94HB)
Housing	
Cover	PBT (UL 94V-0)
Rotor	
Slider	POM (UL 94HB)
Terminal	Phosphor bronze, silver plated
Spring	Stainless steel
Contact	Phosphor bronze, silver plated

Part Number (Part Description)	Packaging	Schematic
PS-12G01	200 pieces	

PS-12G01 Dimensions (in mm)



PS-12G Series

Pushbutton Switches



PS-12G03

Specifications

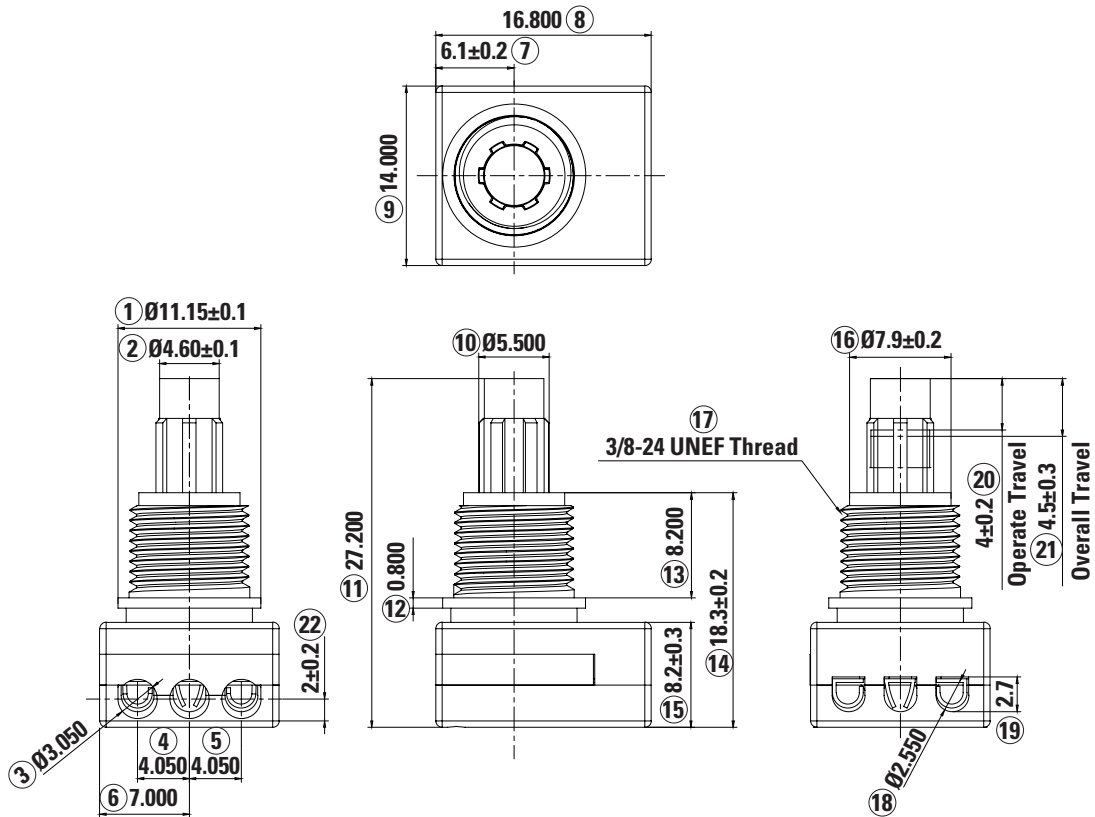
Width x Depth	14 x 16.8 mm
Height	18.3 mm
Contact Rating	2.2A @ 14.5 VDC
Initial Contact Resistance	50 m ohms max.
Insulation Resistance	100 M ohms min.
Dielectric Strength	500 V AC (50-60 Hz) between open terminals and between the frame and terminal.
Operating Life	20,000 cycles with load
Operating Force	650 ± 300 gf
Operating Position	4.00 ± 0.2 mm
Total Travel	4.5 ± 0.3 mm
Operating Temperature	-40°C to 85°C

Materials

Knob	POM (UL 94HB)
Housing	
Cover	PBT (UL 94V-0)
Rotor	
Slider	POM (UL 94HB)
Terminal	Phosphor bronze, silver plated
Spring	Stainless steel
Contact	Phosphor bronze, silver plated

Part Number (Part Description)	Packaging	Schematic
PS-12G03	200 pieces	

PS-12G03 Dimensions (in mm)

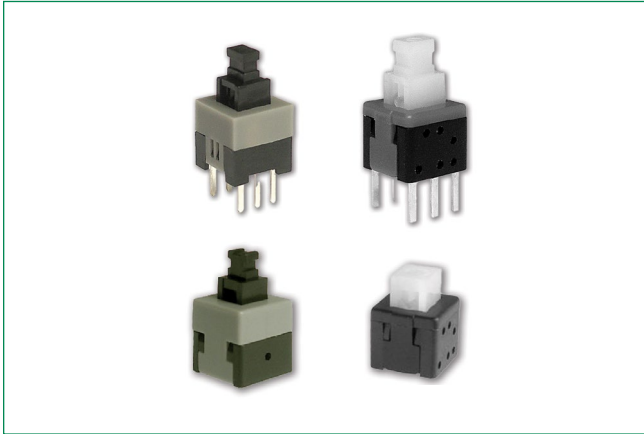


TYCO .062 Commercial Pin and Socket Connector
PT# 770983-1

Disclaimer Notice - Information furnished is believed to be accurate and reliable. However, users should independently evaluate the suitability of and test each product selected for their own applications. Littelfuse products are not designed for, and may not be used in, all applications. Read complete Disclaimer Notice at <http://www.littelfuse.com/disclaimer-electronics>.

PS-22 Series

Subminiature Pushbutton Switches



Description

PS series Miniature Pushbutton Switches are integrated into innovative audio & visual equipment, telecommunications, industrial and automotive products by some of the world's leading designers. The PS series are miniature switches available in momentary or latching options, as well as a broad range of style choices.

Features & Benefits

- Compact miniature push switch
- Momentary or latching options
- Shorting or non-shorting
- DPDT

Applications

- Industrial
- Automotive
- Audio and visual equipment

Ordering Number

Part number list is shown below. For individual part details, please refer to the following pages.

Part Number (Part Description)	Product Details
PS-2203-L NS PA	DPDT, non-shorting, lock, dim: 7.0*7.0*12.5 mm
PS-2203-F NS PA	DPDT, non-shorting, mom, dim: 7.0*7.0*12.5 mm
PS-2206-F NS	DPDT, non-shorting, mom, dim: 8.0*8.0*12.5 mm
PS-2214-L NS PA	DPDT, non-shorting, lock, dim: 5.8*5.8*7.5 mm
PS-2214-F NS PA	DPDT, non-shorting, mom, dim: 5.8*5.8*7.5 mm
PS-221605-L NS	DPDT, non-shorting, lock, dim: 5.8*5.8*10.0 mm

PS-22 Series

Subminiature Pushbutton Switches



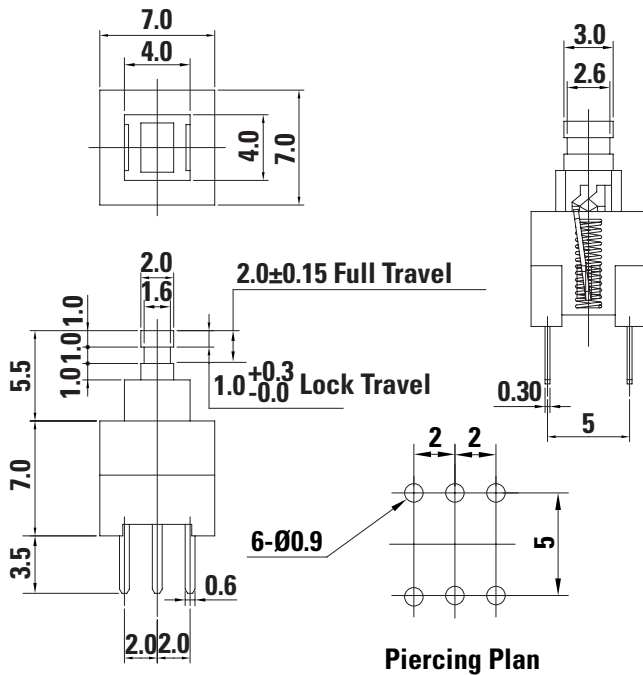
PS-2203-L NS PA

Part Number (Part Description)	Packaging	Schematic
PS-2203-L NS PA	1,000 pieces	

Specifications

Width x Depth	7.0 x 7.0 mm
Height	12.5 mm
Contact Rating	0.1A @ 30 VDC
Initial Contact Resistance	30 m ohms max.
Insulation Resistance	100 M ohms min.
Dielectric Strength	500 V AC (50-60 Hz) between open terminals and between the frame and terminal.
Operating Life	10,000 cycles with load
Operating Force	200 ± 100 gf (1.96 ± 0.98N)
Lock Travel	1 mm
Total Travel	2 mm
Operating Temperature	-20°C to 70°C

Dimensions inches (mm)



Materials

Knob	POM Black
Housing	PA Black
Cover	POM Grey (latch) / White (Mom)
Terminal	Brass, silver plated
Spring	Stainless steel
Contact Clip	Phosphor bronze, silver plated
Hook Lock	Stainless steel (latch)

PS-22 Series

Subminiature Pushbutton Switches



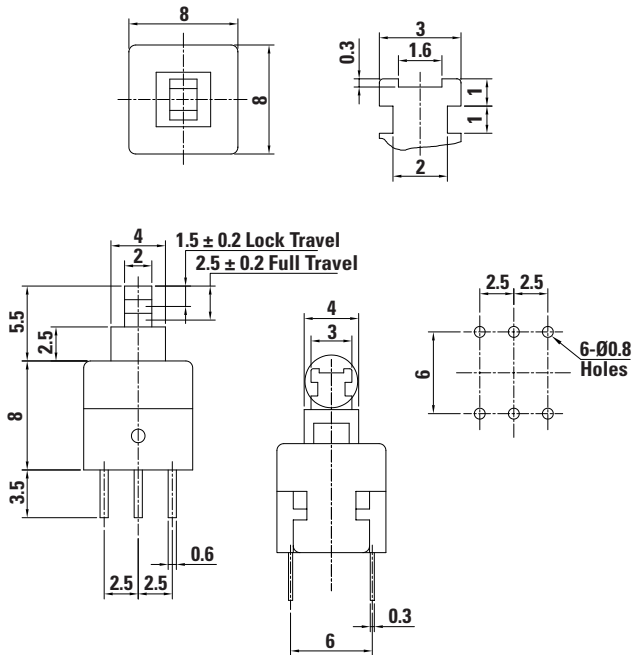
PS-2206-F NS

Part Number (Part Description)	Packaging	Schematic
PS-2206-F NS	1,000 pieces	<p>2 P - 2 T</p>

Specifications

Width x Depth	8.0 x 8.0 mm
Height	13.5 mm
Contact Rating	0.1A @ 30 VDC
Initial Contact Resistance	70 m ohms max.
Insulation Resistance	100 M ohms min.
Dielectric Strength	500 V AC (50-60 Hz) between open terminals and between the frame and terminal.
Operating Life	10,000 cycles with load
Operating Force	200 ± 100 gf (1.96 ± 0.98N)
Lock Travel	1.5 mm
Total Travel	2.5 mm
Operating Temperature	-20°C to 70°C

Dimensions inches (mm)



Materials

Knob	POM Black
Housing	PBT Black
Cover	POM Grey (latch) / White (Mom)
Terminal	Brass, silver plated
Spring	Stainless steel
Contact Clip	Phosphor bronze, silver plated
Hook Lock	Stainless steel (latch)

PS-22 Series

Subminiature Pushbutton Switches



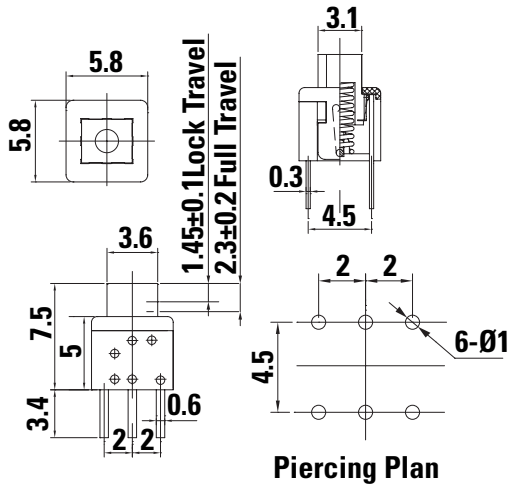
PS-2214-L NS PA, PS-2214-F NS PA

Part Number (Part Description)	Packaging	Schematic
PS-2214-L NS PA PS-2214-F NS PA	1,000 pieces	

Specifications

Width x Depth	5.8 x 5.8 mm
Height	7.5 mm
Contact Rating	0.1A @ 30 VDC
Initial Contact Resistance	80 m ohms max.
Insulation Resistance	100 M ohms min.
Dielectric Strength	500 V AC (50-60 Hz) between open terminals and between the frame and terminal.
Operating Life	10,000 cycles with load
Operating Force	150 ± 50 gf (1.47 ± 0.49N)
Lock Travel	1.45 mm
Total Travel	2.3 mm
Operating Temperature	-20°C to 70°C

Dimensions inches (mm)



Materials

Knob	POM Natural (Latch) / PA Black
Housing	PA Black
Cover	
Spring	Stainless steel
Terminal	Brass, silver plated
Hook Lock	Stainless steel (latch)
Contact Clip	Phosphor bronze, silver clad

PS-22 Series

Subminiature Pushbutton Switches



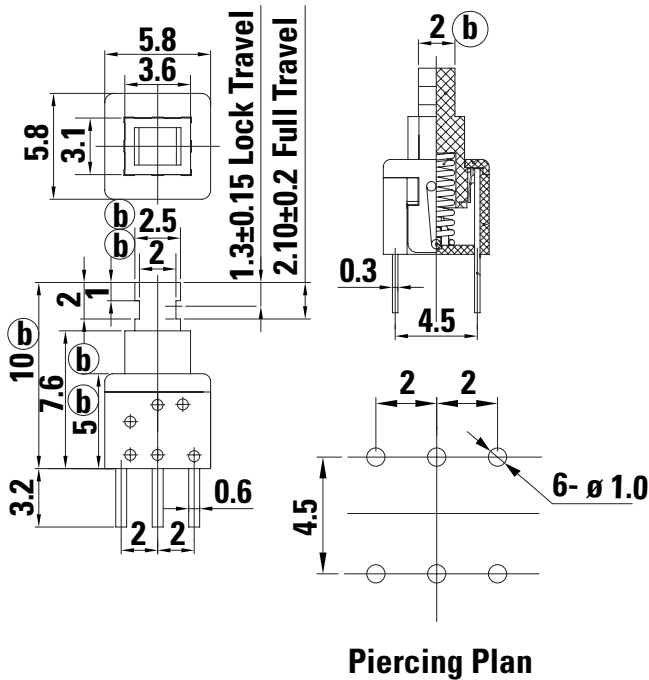
PS-221605-L NS

Part Number (Part Description)	Packaging	Schematic
PS-221605-L NS	1,000 pieces	

Specifications

Width x Depth	5.8 x 5.8 mm
Height	10 mm
Contact Rating	0.1A @ 30 VDC / 2A @ 2 VDC
Initial Contact Resistance	80 m ohms max.
Insulation Resistance	100 M ohms min.
Dielectric Strength	500 V AC (50-60 Hz) between open terminals and between the frame and terminal.
Operating Life	10,000 cycles with load
Operating Force	150 ± 50 gf (1.47 ± 0.49N)
Lock Travel	1.3 mm
Total Travel	2.1 mm
Operating Temperature	-20°C to 70°C

Dimensions inches (mm)



Materials

Knob	POM Natural
Housing	PA Black
Cover	PC Grey
Terminal	Brass, silver plated
Spring	Stainless steel
Contact Clip	Phosphor bronze, silver clad
Hook Lock	Stainless steel (latch)

Disclaimer Notice - Information furnished is believed to be accurate and reliable. However, users should independently evaluate the suitability of and test each product selected for their own applications. Littelfuse products are not designed for, and may not be used in, all applications. Read complete Disclaimer Notice at <http://www.littelfuse.com/disclaimer-electronics>.