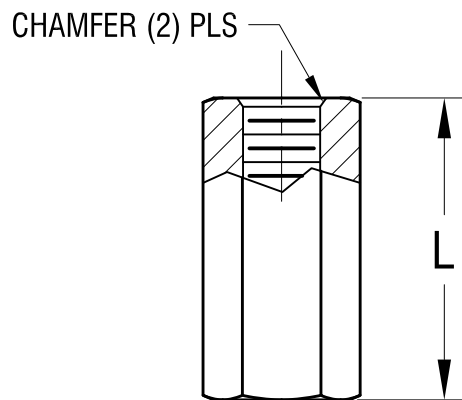
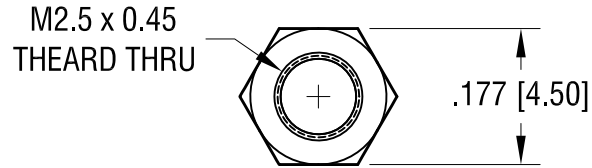


THIS DOCUMENT IS THE PROPERTY OF  
KEYSTONE ELECTRONICS CORP. AND  
SHALL NOT BE REPRODUCED, DISTRIBUTED  
OR USED AS A BASIS FOR MANUFACTURE  
WITHOUT PRIOR WRITTEN PERMISSION  
FROM KEYSTONE ELECTRONICS CORP.

ACTUAL SIZE



P/N 24420



PART NO.	'L' DIM.
24420	.197 [5.00]
24421	.236 [6.00]
24422	.315 [8.00]
24423	.394 [10.00]
24424	.472 [12.00]

**KEYSTONE ELECTRONICS CORP.**

www.keyelco.com • NEW HYDE PARK, NY 11040 • Tel (516) 328-7500

PART NAME

4.5mm THREADED HEX STANDOFF

MATERIAL

LEAD FREE ALUMINUM

FINISH

CLEAR IRIDITE

DRN BY

BOONE

DATE

5.08.06

APP'D

**MR**

SCALE

4X

10.18.23 CHANGE AS PER ECN 23-204

A

TOLERANCES

INCH [MM]

DECIMAL ± .005 [± 0.13 ]

ANGULAR ± 1°  
UNLESS OTHERWISE SPECIFIED

CODE

DWG NO.

C

**24420-24424**

DATE

DESCRIPTION

REV.