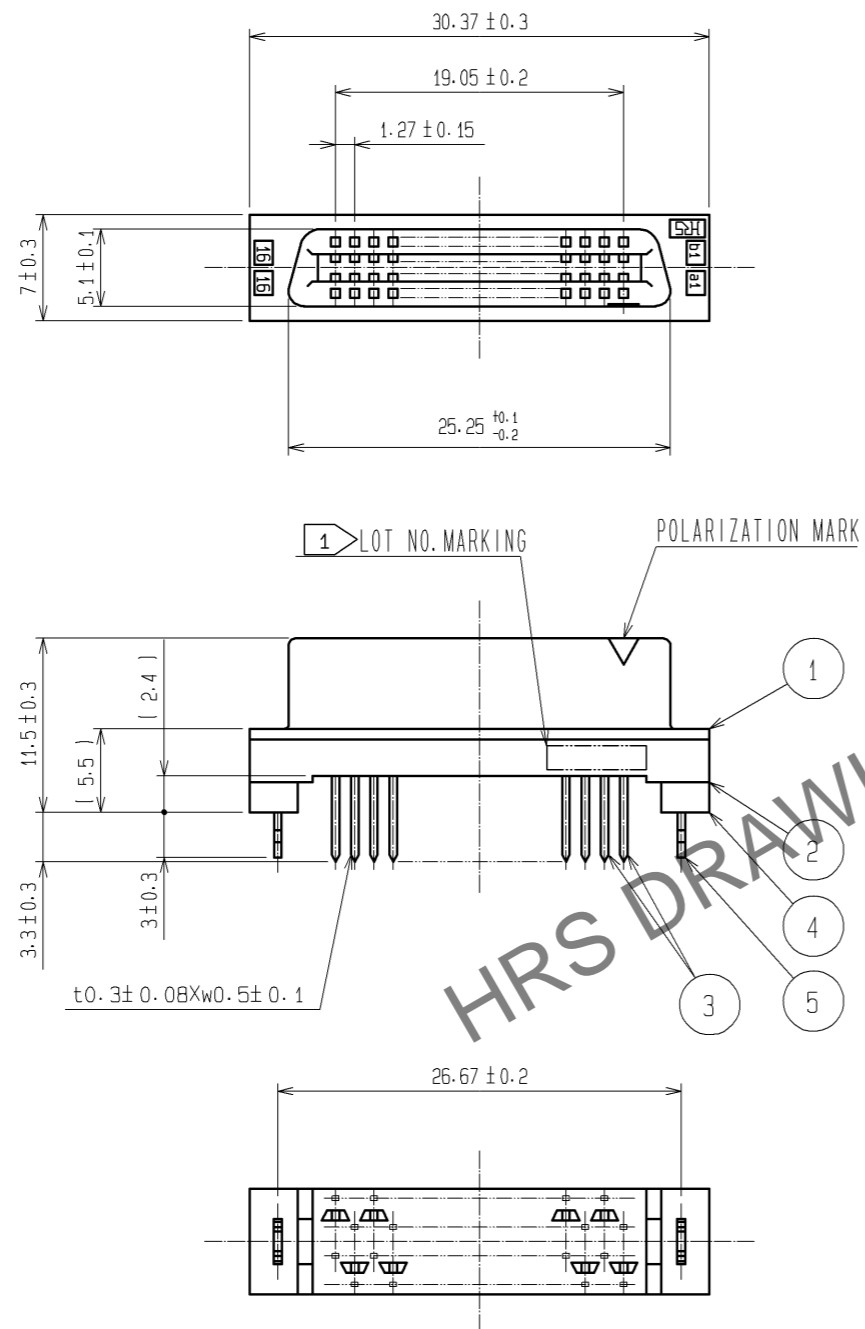
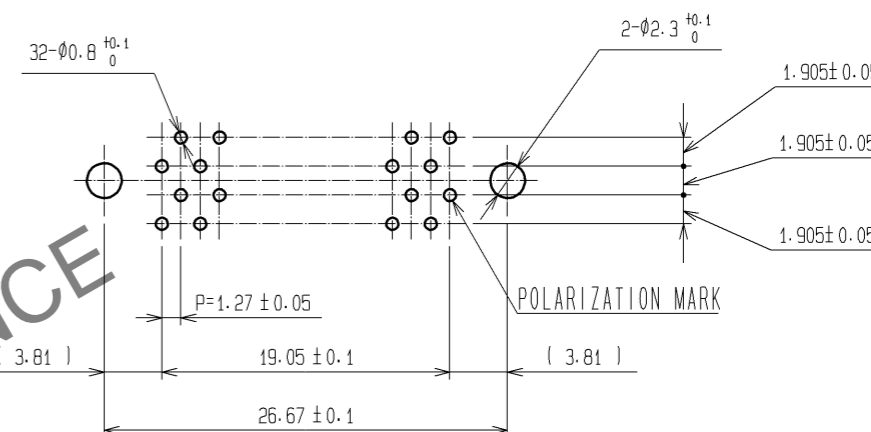


Jun.1.2024 Copyright 2024 HIROSE ELECTRIC CO., LTD. All Rights Reserved.
 In case of consideration for using Automotive equipment / device which demand high reliability, kindly contact our sales window correspondents.



RECOMMENDED PC BOARD HOLE PATTERN (MOUNTING SIDE)

t = 1.6



HRS DRAWING FOR REFERENCE

- NOTES
- 1 LOT NO. MARKING SIDE SHALL BE OPTIONAL.
 2. THE DIMENSIONS IN PARENTHESES ARE FOR REFERENCE.

5	PHOSPHOR BRONZE	TIN-PLATING	3	PHOSPHOR BRONZE	CONTACT AREA : GOLD 0.2 μm min. DIP AREA : TIN-PLATING 2 μm min. UNDER PLATING : NICKEL 2 μm min.
1, 2, 4	POLYAMIDE	BLACK, UL94V-0			
NO.	MATERIAL	FINISH, REMARKS	NO.	MATERIAL	FINISH, REMARKS
UNITS mm		SCALE 2 : 1		DESCRIPTION OF REVISIONS	
		APPROVED : HS. OKAWA	07.08.22	DRAWING NO. EDC3-083220-21	
HIROSE ELECTRIC CO., LTD.		CHECKED : HS. OZAWA	07.08.22	PART NO. FX2C2-32S-1.27DSAL(71)	
		DESIGNED : KY. NAKAMURA	07.08.22	CODE NO. CL572-2472-5-71	
		DRAWN : TP. MATSUMOTO	07.08.10		