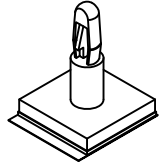
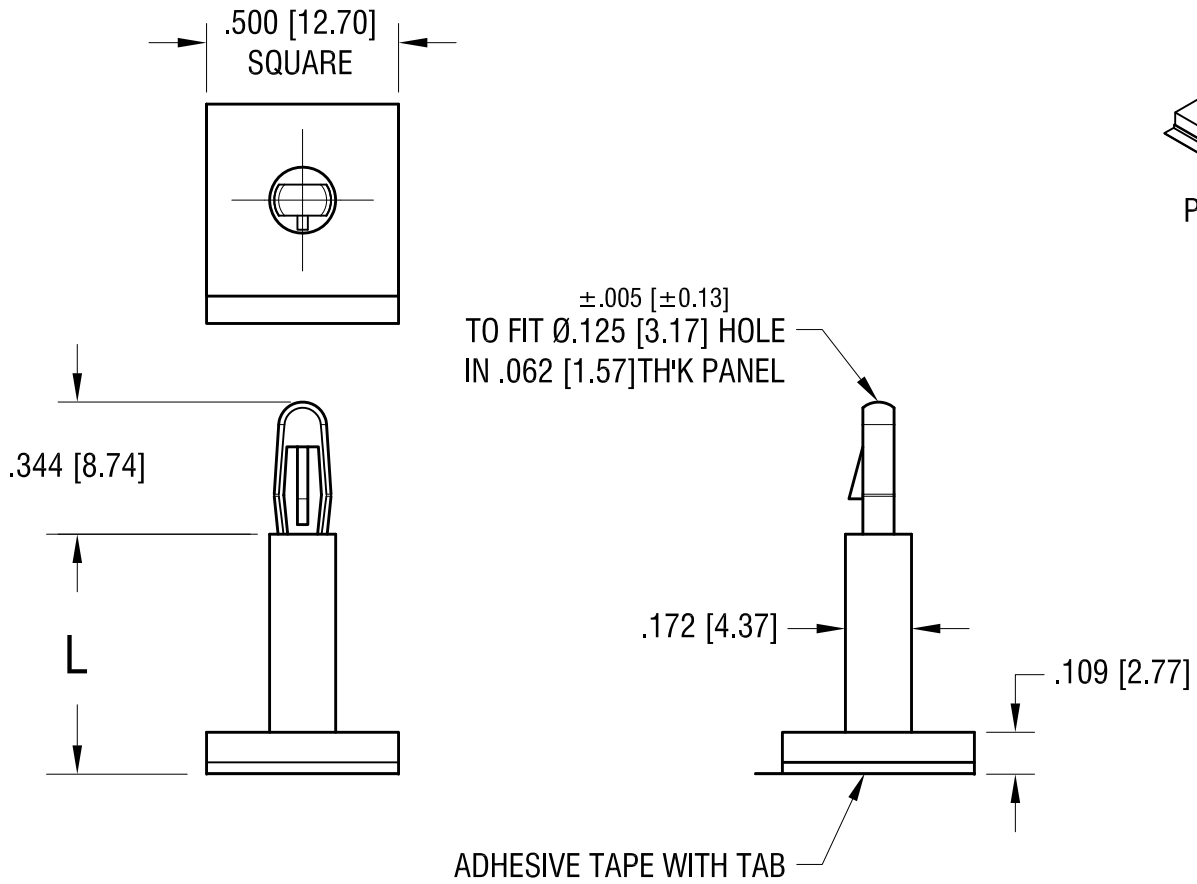


THIS DOCUMENT IS THE PROPERTY OF  
KEYSTONE ELECTRONICS CORP. AND  
SHALL NOT BE REPRODUCED, DISTRIBUTED  
OR USED AS A BASIS FOR MANUFACTURE  
WITHOUT PRIOR WRITTEN PERMISSION  
FROM KEYSTONE ELECTRONICS CORP.

ACTUAL SIZE



P/N 9072



PART NO.	'L' DIM.
9070	.187 [4.74]
9071	.250 [6.35]
9072	.375 [9.52]
9073	.500 [12.70]
9074	.625 [15.87]

**KEYSTONE ELECTRONICS CORP.**

www.keyelco.com • NEW HYDE PARK NY 11040 • Tel (516)328-7500

PART NAME		SPACER - SUPPORT	
MATERIAL		NYLON 6/6, UL 94V-0	
FINISH <b>NONE</b>	DRN BY	NT	DATE 3.21.11
	APP'D	RH	SCALE 2X
TOLERANCES INCH [MM]	DECIMAL ±.015 [±0.38]	CODE	DWG NO.
ANGULAR ± 1° UNLESS OTHERWISE SPECIFIED		C	<b>9070 - 9074</b>

1.12.12	CHANGE AS PER ECN 12-005	A
DATE	DESCRIPTION	REV.