

# SAC-12P- 3,0-35T/FR SH SCO - Sensor/actuator cable



1430174

<https://www.phoenixcontact.com/us/products/1430174>

Please be informed that the data shown in this PDF document is generated from our online catalog. Please find the complete data in the user documentation. Our general terms of use for downloads are valid.



Sensor/actuator cable, 12-position, PUR/PVC, black RAL 9005, shielded, free cable end, on Socket angled M12 SPEEDCON, coding: A, cable length: 3 m

## Your advantages

- Easy and safe: 100 % electrically tested plug-in components
- Save time, thanks to installation with SPEEDCON fast locking system
- Save space – with high-pos. connectors
- Reliable signal transmission – 360° shielding in environments with electromagnetic interference

## Commercial data

Item number	1430174
Packing unit	1 pc
Minimum order quantity	1 pc
Sales key	BF03
Product key	BF1CNA
Catalog page	Page 214 (C-2-2019)
GTIN	4046356322447
Weight per piece (including packing)	299.9 g
Weight per piece (excluding packing)	299.8 g
Customs tariff number	85444290
Country of origin	DE

# SAC-12P- 3,0-35T/FR SH SCO - Sensor/actuator cable



1430174

<https://www.phoenixcontact.com/us/products/1430174>

## Technical data

### Product properties

Product type	Sensor/actuator cable
Application	Standard
Number of positions	12
No. of cable outlets	1
Shielded	yes
Coding	A

### Data management status

Article revision	07
------------------	----

### Insulation characteristics

Overvoltage category	II
Degree of pollution	3

### Material specifications

Flammability rating according to UL 94	V0
Seal material	NBR
Material of grip body	TPU, hardly inflammable, self-extinguishing
Contact material	CuZn
Contact surface material	Ni/Au
Contact carrier material	PA 6.6
Material for screw connection	Zinc die-cast, nickel-plated

### Electrical properties

Insulation resistance	$\geq 100 \text{ M}\Omega$
Nominal voltage $U_N$	30 V AC
	30 V DC
Nominal current $I_N$	1.5 A

### Signaling

Status display	no
Status display present	No

### Connection data

#### Conductor connection

Tightening torque	0.4 Nm (M12 connector)
-------------------	------------------------

### Connector

#### Connection 1

Type	free cable end
------	----------------

# SAC-12P- 3,0-35T/FR SH SCO - Sensor/actuator cable

1430174

<https://www.phoenixcontact.com/us/products/1430174>


## Connection 2

Type	Socket angled M12 SPEEDCON
Number of positions	12
Locking type	SPEEDCON
Coding type	A

## Cable/line

Cable length	3 m
--------------	-----

### Black PUR/PVC twisted pair [35T]

Dimensional drawing	
Cable weight	87 kg/km
UL AWM Style	20233 / 1061 (80°C/300 V)
Number of positions	12
Shielded	yes
Cable type	Black PUR/PVC twisted pair [35T]
Conductor structure signal line	18x 0.10 mm
AWG signal line	26
Conductor cross section	12x 0.14 mm <sup>2</sup> (Signal line)
Wire diameter incl. insulation	1 mm ±0.05 mm (Signal line)
External cable diameter	8.50 mm ±0.2 mm
Outer sheath, material	PUR
External sheath, color	black RAL 9005
Conductor material	Tin-plated Cu litz wires
Material wire insulation	PVC
Single wire, color	white-brown, green-yellow, gray-pink, blue-red, black-violet, gray/pink-red/blue
Twisted pairs	2 cores to the pair
Overall twist	Six pairs around the filler to the core
Optical shield covering	85 %
Max. conductor resistance	≤ 142 Ω/km (at 20 °C)
Insulation resistance	≥ 10 MΩ*km (at 20 °C)
Nominal voltage, cable	42 V AC
Test voltage	1500 V AC
Minimum bending radius, fixed installation	5 x D
Minimum bending radius, flexible installation	10 x D
Smallest bending radius, fixed installation	43 mm

# SAC-12P- 3,0-35T/FR SH SCO - Sensor/actuator cable



1430174

<https://www.phoenixcontact.com/us/products/1430174>

Smallest bending radius, movable installation	85 mm
Dynamic load capacity (bending)	Max. bending cycles: 2000000, Bending radius: 85 mm, Traversing path: 10 m, Traversing rate: 3 m/s, Acceleration: 10 m/s <sup>2</sup>
Flame resistance	According to DIN EN 60332-1-2 According to VW-1
Resistance to oil	in accordance with DIN EN 60811-2-1
Other resistance	hydrolysis and microbe resistant (in accordance with EN 50396)
Special properties	Flexible cable conduit capable
Ambient temperature (operation)	-40 °C ... 80 °C (cable, fixed installation) -5 °C ... 80 °C (Cable, flexible installation)

## Environmental and real-life conditions

### Ambient conditions

Degree of protection	IP65 IP67
Ambient temperature (operation)	-25 °C ... 85 °C (Plug / socket) -40 °C ... 80 °C (cable, fixed installation) -5 °C ... 80 °C (Cable, flexible installation)

## Standards and regulations

Standard designation	M12 connector
Standards/specifications	IEC 61076-2-101

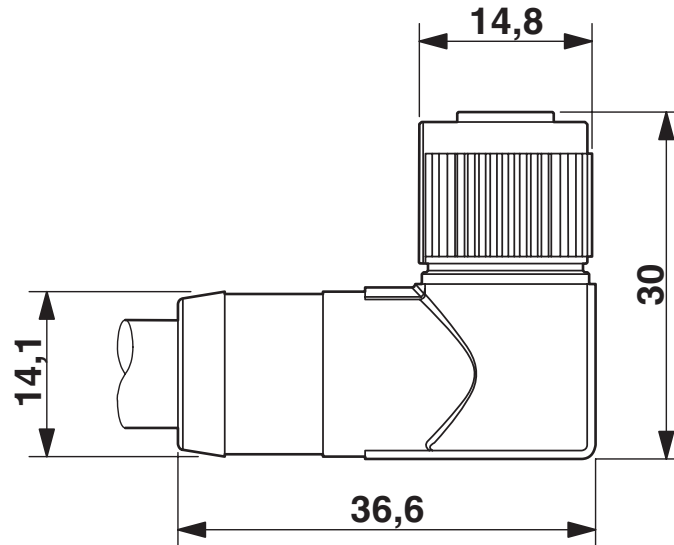
# SAC-12P- 3,0-35T/FR SH SCO - Sensor/actuator cable

1430174

<https://www.phoenixcontact.com/us/products/1430174>

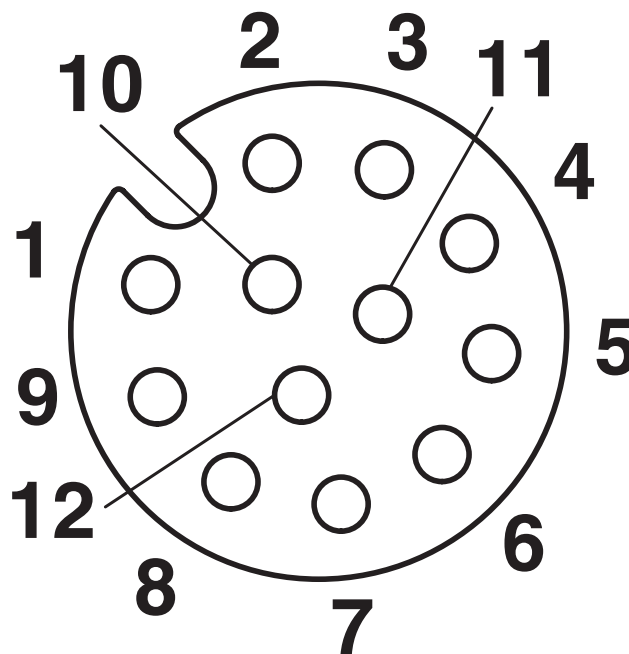
## Drawings

Dimensional drawing



Socket M12-SPEEDCON, angled, shielded

Schematic diagram



Pin assignment M12, 12-pos., female side view

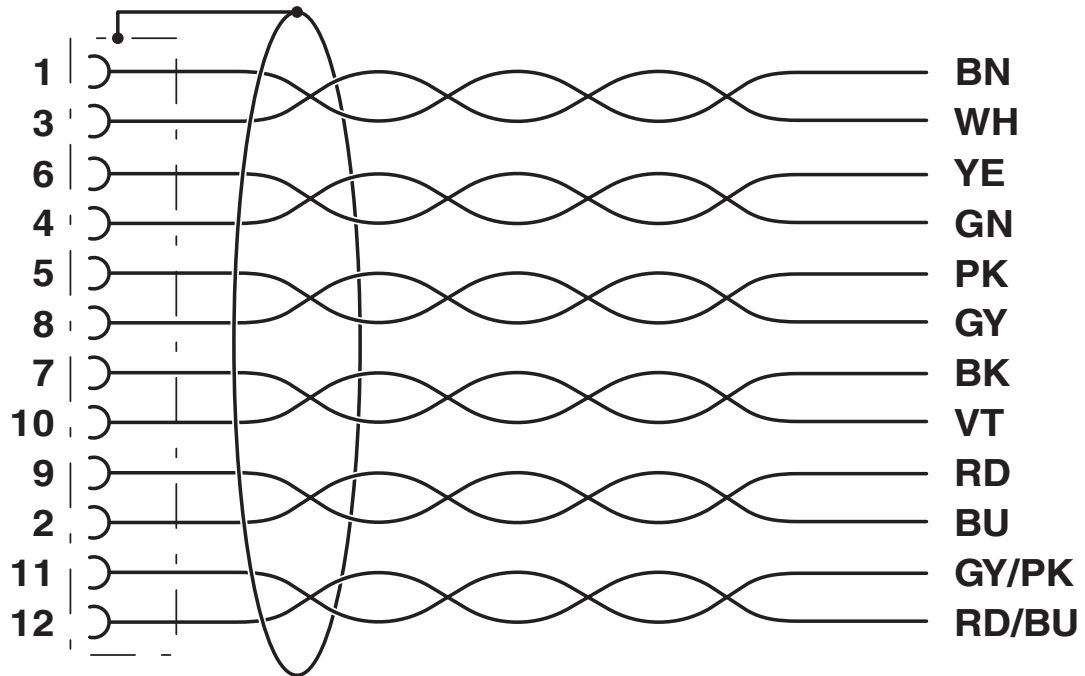
# SAC-12P- 3,0-35T/FR SH SCO - Sensor/actuator cable



1430174

<https://www.phoenixcontact.com/us/products/1430174>

Circuit diagram



# SAC-12P- 3,0-35T/FR SH SCO - Sensor/actuator cable





1430174

<https://www.phoenixcontact.com/us/products/1430174>

## Approvals

To download certificates, visit the product detail page: <https://www.phoenixcontact.com/us/products/1430174>

 <b>UL Listed</b> Approval ID: FILE E 221474	Nominal voltage $U_N$	Nominal current $I_N$	Cross section AWG	Cross section $\text{mm}^2$
	30 V	1 A	-	-

 <b>EAC-RoHS</b> Approval ID: RU D-DE.HB35.B.00387
--

# SAC-12P- 3,0-35T/FR SH SCO - Sensor/actuator cable



1430174

<https://www.phoenixcontact.com/us/products/1430174>

## Classifications

### ECLASS

ECLASS-11.0	27060311
ECLASS-12.0	27060311
ECLASS-13.0	27060311

### ETIM

ETIM 9.0	EC001855
----------	----------

### UNSPSC

UNSPSC 21.0	26121600
-------------	----------



# SAC-12P- 3,0-35T/FR SH SCO - Sensor/actuator cable



1430174

<https://www.phoenixcontact.com/us/products/1430174>

## Environmental product compliance

### EU RoHS

Fulfills EU RoHS substance requirements	Yes, No exemptions
---	--------------------

### China RoHS

Environment friendly use period (EFUP)	EFUP-E
	No hazardous substances above the limits

### EU REACH SVHC

REACH candidate substance (CAS No.)	No substance above 0.1 wt%
-------------------------------------	----------------------------

Phoenix Contact 2024 © - all rights reserved  
<https://www.phoenixcontact.com>

Phoenix Contact USA  
586 Fulling Mill Road  
Middletown, PA 17057, United States  
(+717) 944-1300  
[info@phoenixcon.com](mailto:info@phoenixcon.com)