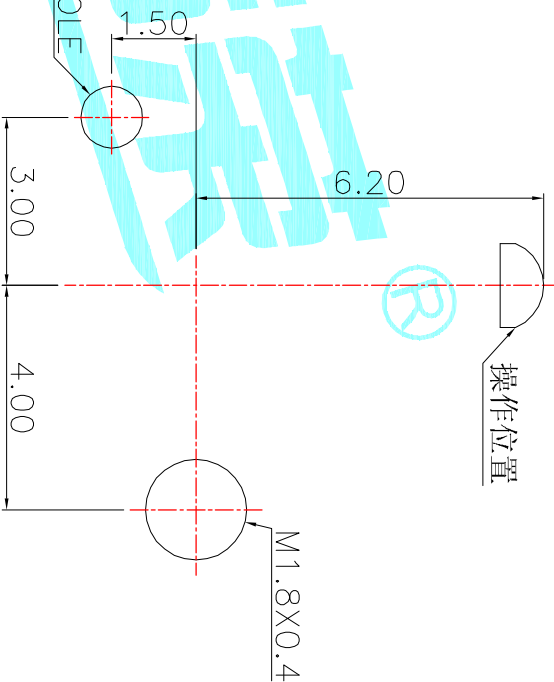
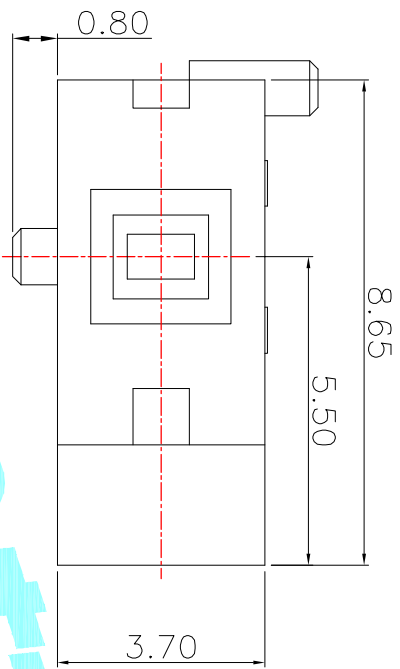
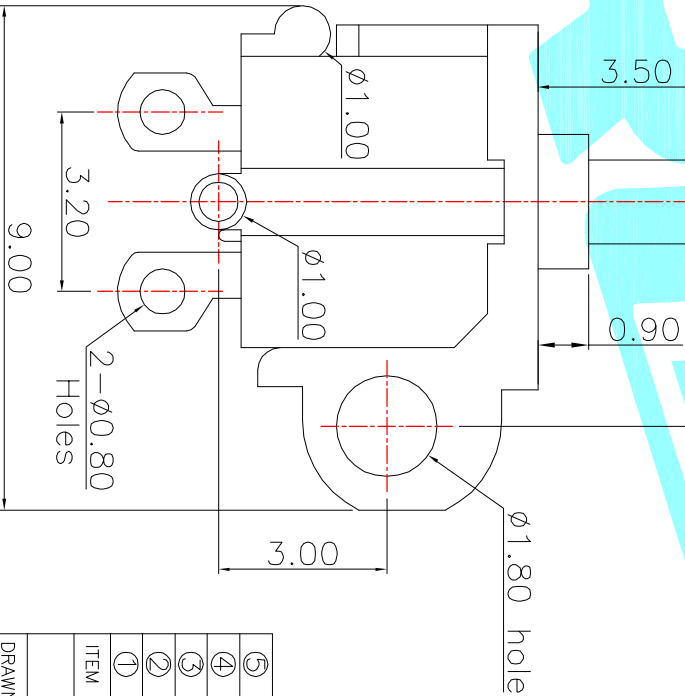
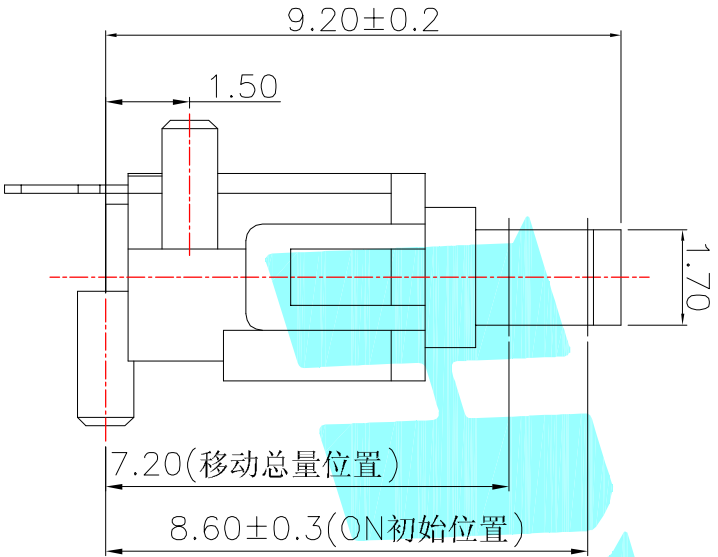


Circuit Diagram



PCB Layout (Pattern side)



NOTE:  
 Rating: DC 30V 0.1A  
 Operating Force: 50±10gf  
 Lifetime: 100,000 Cycles

ITEM	PART NAME	TER'NO.	QTY.	MATERIAL	FINISHING	REMARK
⑤	Contact Spring	—	1	Phosphor Bronze	Ag Plated	—
④	Terminal	—	2	Phosphor Bronze	Ag Plated	—
③	Base	—	1	PA46	Black	—
②	Cover	—	1	PA46	Black	—
①	Slider	—	1	PA46	Black	—

APPROVALS		DATE	TITLE:	
DRAWN	J.X.Zhang	2013/8/30	DETECTOR SWITCHS	
CHECKED			ELECTRONICS CO.,LTD	

ECN NO.	REV.	DATE.	DESCRIPTION.	CHANGE.	CHECK.	APPRO.	TOLERANCES ARE	ANGLE	UNIT:	SCALE:	DRAWING NO.	SHEET
	A		NEW				30~12.5 ±	±0.30	mm	1:1		1 OF 1
							10~30 ±	±0.20				
							5~10 ±	±0.15				
							~5 ±	±0.10				