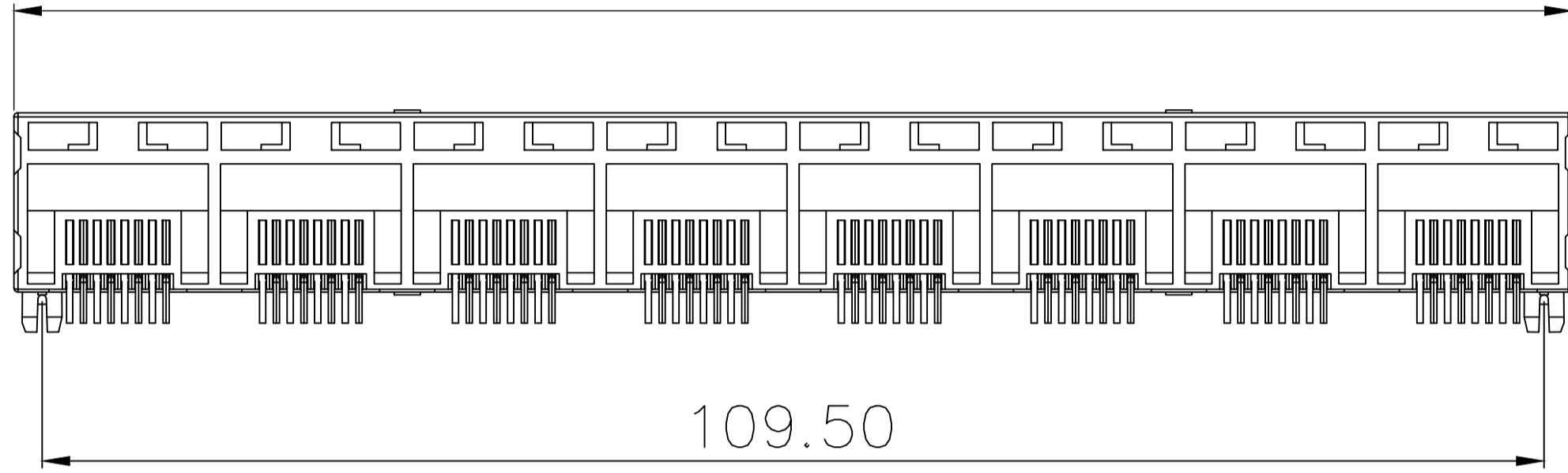


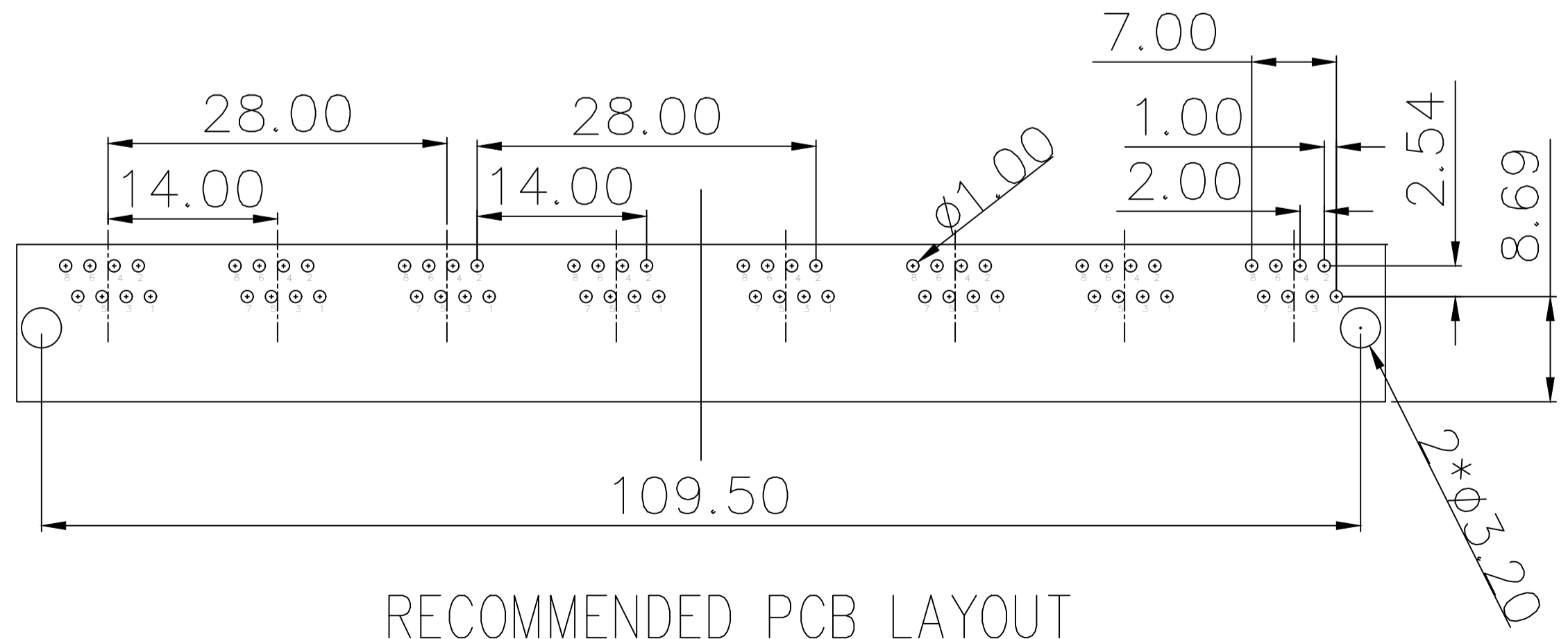
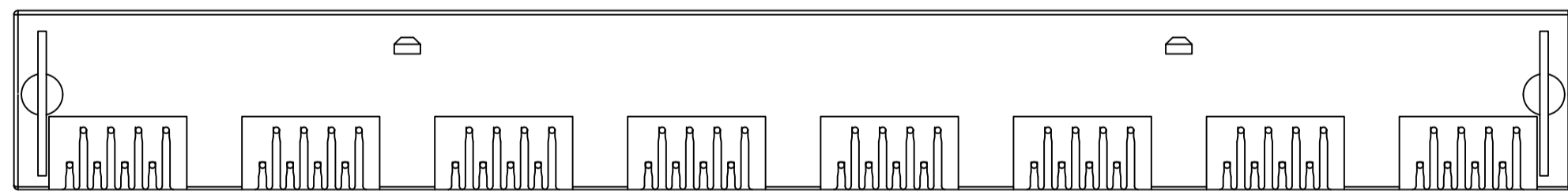
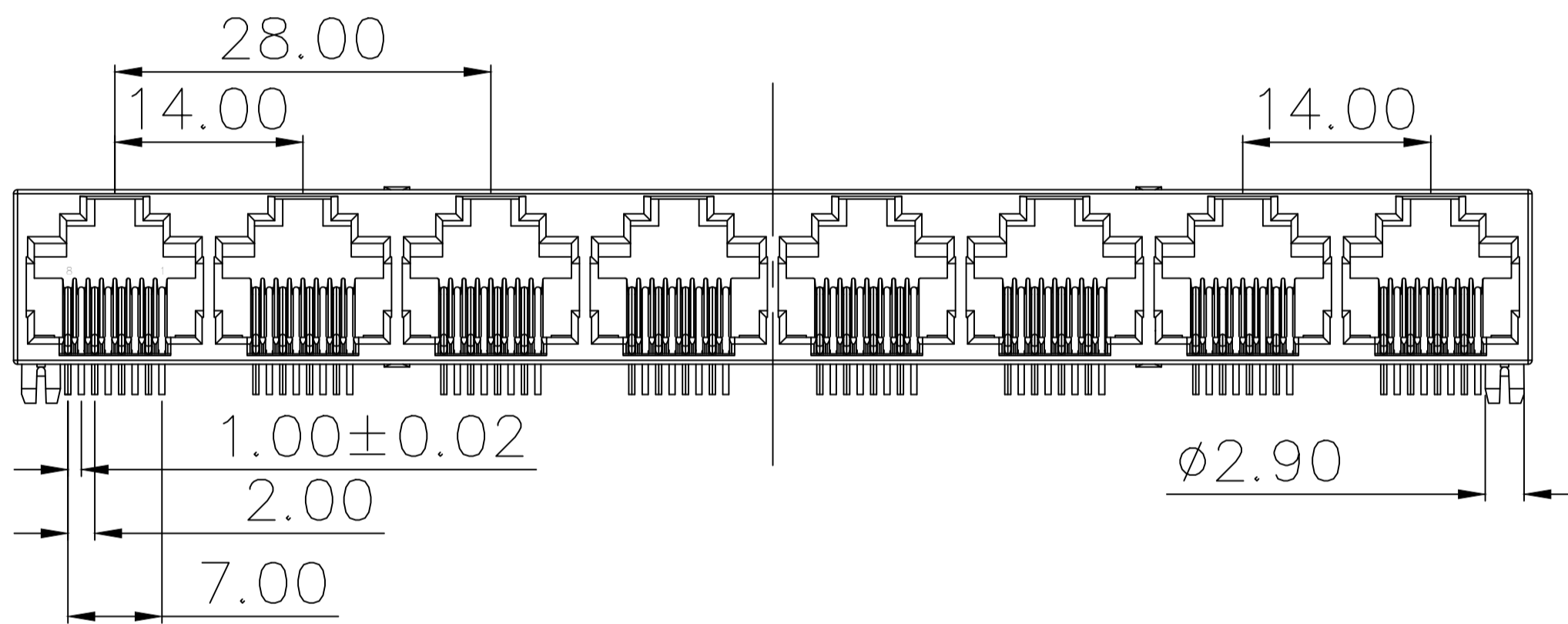
标记 MARK	ECN编号/变更内容 ECN NO/DEFINITION	修改 REVISE	日期 DATE	核准 APPROVE



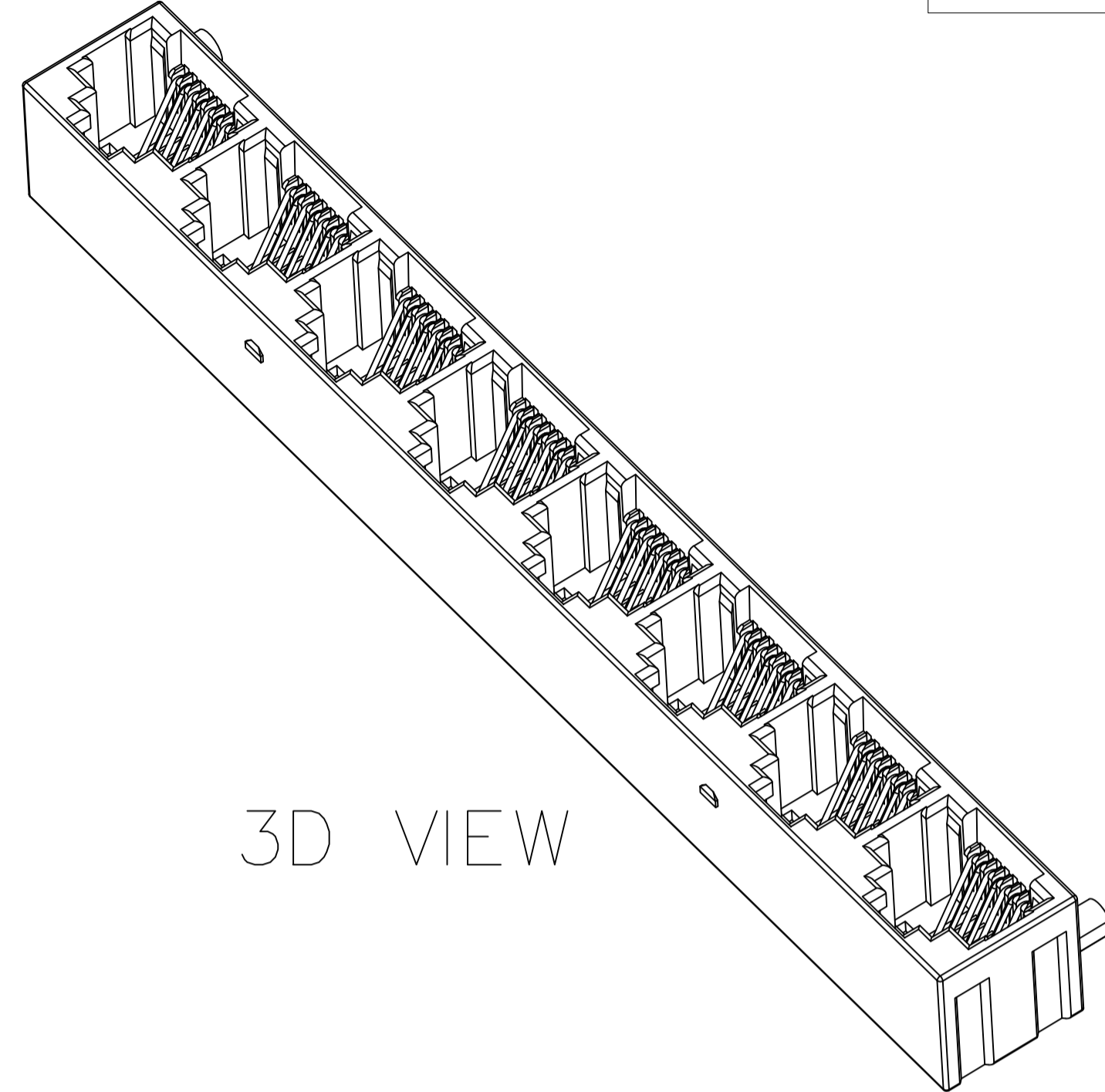
113.10±0.20



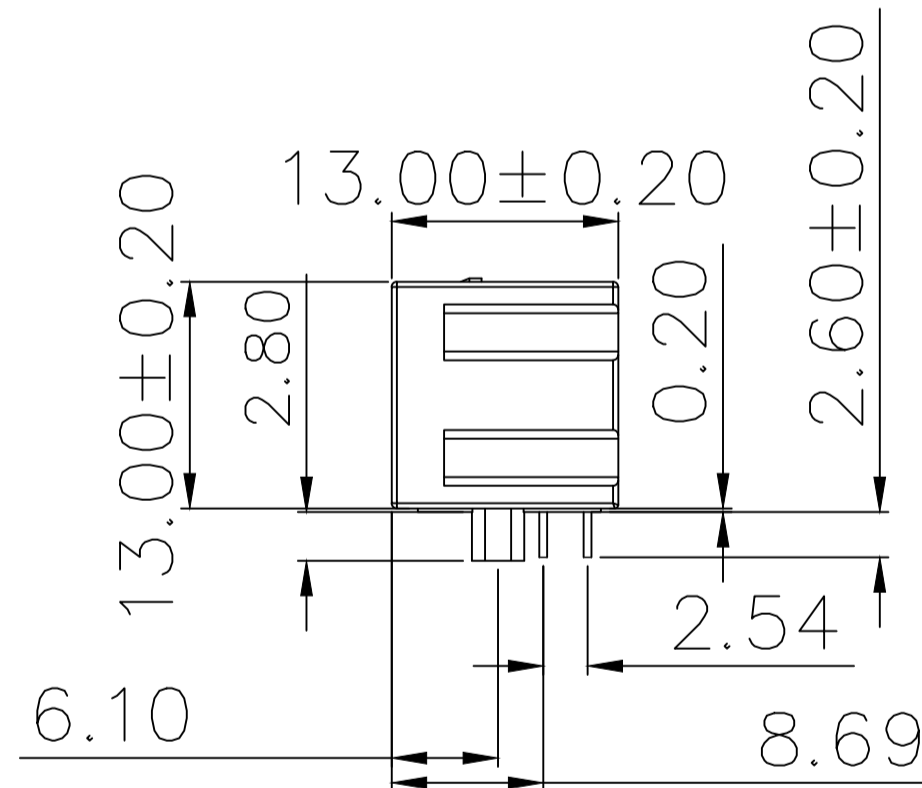
109.50



RECOMMENDED PCB LAYOUT  
TOP VIEW(TOL: ±0.05)




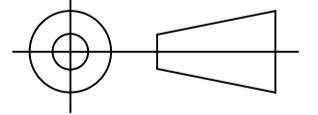
3D VIEW



NOTES:

- 1. MATERIAL:
  - 1.1. HOUSING: PBT ,COLOR IS BLACK;
  - 1.2. CONTACT: PHOSPHOR BRONZE,  $\phi 0.46 \pm 0.02$ mm;
- 3. RECINNEBDED PCB THICKNESS: 1.0mm Min;
- 4. ELECTRICAL:
  - 4.1. VOLTAGE RATING: 125 VAC RMS;
  - 4.2. CURRENT RATING: 1.5 AMP;
  - 4.3. CONTACT RESISTANCE: 35MILLIOHMS MAX.;
  - 4.4. WITHSTAND VOLTAGE: 1000 VAC RMS 50(60)Hz, 1MIN.;
  - 4.5. INSULATION RESISTANCE: 1000MEGOHMS MIN @500V DC;
- 5. MECHANICAL:
  - 5.1. MATING/UNMATING FORCE: 30N MAX.;
  - 5.2. RETENTION STRENGTH: 50N MIN.;
  - 5.3. OPERATING LIFE: 750 CYCLES MIN.;
- 6. SALT SPRAY TEST: 12H;
- 7. SOLDERABILITY: 245±5°C, 5±0.5S;
- 8. RESISTANCE TO SOLDER: 260±5°C, 10±1S;
- 9 ENVIRONMENTAL:
  - 9.1. STORAGE TEMPERATURE RANGE: -40°C~+85°C;
  - 9.2. OPERATION TEMPERATURE RANGE: -25°C~+70°C;

2	接触	铜	镀金G/F	
1	底座	PBT	黑色	
序号	品名	材质	电镀/颜色	备注

	深圳市虹成电子有限公司 TITLE: 网口 PART NO: HC-WK88-H13-1X8-55QS			
	UNLESS OTHERWISE, GENERAL TOLERANCE: X. xxx ±0.10 X. xx ±0.20 X. x ±0.30  ANGULAR: X. xx° ±1° X. x° ±3° X. ° ±5°	比列 SCALE <b>1:1</b>	单位 UNIT <b>MM</b>	张数 PART NO 1 OF 1

