

2232111-1 ✓ ACTIVE

FASTON | FASTON 250

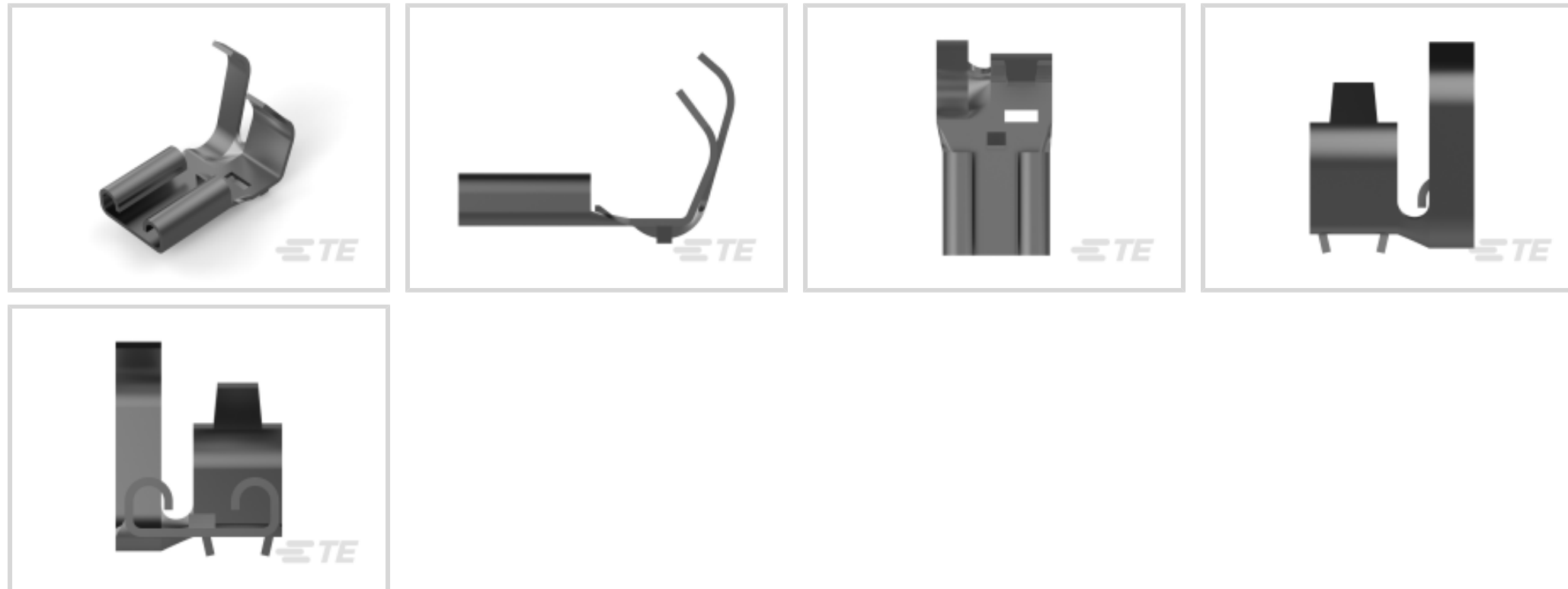
TE Internal #: 2232111-1

Receptacle, 20 – 12 AWG Wire Size, .5 – 4 mm² Wire Size, Mating Tab Width 6.35 mm [.25 in], Flag, Brass, Tin Plating, FASTON 250, Quick Disconnects

[View on TE.com >](#)



Terminals & Splices > Quick Disconnects



Quick Disconnect Terminal Type: **Receptacle**

Wire Size: **.5 – 4 mm²**

Mating Tab Width: **6.35 mm [.25 in]**

Mating Tab Thickness: **.81 mm [.032 in]**

Features

Product Type Features

Insertion Force	Normal
-----------------	--------

Configuration Features

Connection Capacity	Single
---------------------	--------

Compatible With Wire & Cable Type	Discrete Wire
-----------------------------------	---------------

Contact Features

Quick Disconnect Terminal Type	Receptacle
--------------------------------	------------

Mating Tab Width	6.35 mm [.25 in]
------------------	------------------

Mating Tab Thickness	.81 mm [.032 in]
----------------------	------------------

Terminal Orientation	Flag
----------------------	------

Contact Base Material	Brass
-----------------------	-------

Terminal Plating Material	Tin
---------------------------	-----

Crimp Type	Tab-Lok
------------	---------

Barrel Type	Open
-------------	------

Termination Features



Product Terminates To	Wire & Cable
-----------------------	--------------

Mechanical Attachment

Locking Lance Height	1.02 mm
----------------------	---------

Wire Insulation Support	With
-------------------------	------

Mating Retention Type	Dimple
-----------------------	--------

Dimensions

Terminal Material Thickness	.46 mm [.018 in]
-----------------------------	------------------

Product Length	17.02 mm [.67 in]
----------------	-------------------

Compatible Insulation Diameter Range	2.79 – 5.33 mm [.11 – .21 in]
--------------------------------------	-------------------------------

Wire Size	.5 – 4 mm ²
-----------	------------------------

Usage Conditions

Insulation Option	Uninsulated
-------------------	-------------

Operating Temperature Range	-40 – 110 °C [-40 – 230 °F]
-----------------------------	-----------------------------

Industry Standards

Compatible With Agency/Standards Products	CSA, UL
---	---------

Packaging Features

Packaging Quantity	4000
--------------------	------

Packaging Method	Strip/Reel
------------------	------------

Other

Line	Premier
------	---------

Product Compliance

[For compliance documentation, visit the product page on TE.com>](#)

EU RoHS Directive 2011/65/EU	Compliant
------------------------------	-----------

EU ELV Directive 2000/53/EC	Compliant
-----------------------------	-----------

China RoHS 2 Directive MIIT Order No 32, 2016	No Restricted Materials Above Threshold
---	---

EU REACH Regulation (EC) No. 1907/2006	Current ECHA Candidate List: JUNE 2024 (241) Candidate List Declared Against: JUNE 2024 (241) Does not contain REACH SVHC
--	---

Halogen Content	Low Halogen - Br, Cl, F, I < 900 ppm per homogenous material. Also BFR/CFR/PVC Free
-----------------	---



Solder Process Capability

Not applicable for solder process capability

Product Compliance Disclaimer

This information is provided based on reasonable inquiry of our suppliers and represents our current actual knowledge based on the information they provided. This information is subject to change. The part numbers that TE has identified as EU RoHS compliant have a maximum concentration of 0.1% by weight in homogenous materials for lead, hexavalent chromium, mercury, PBB, PBDE, DBP, BBP, DEHP, DIBP, and 0.01% for cadmium, or qualify for an exemption to these limits as defined in the Annexes of Directive 2011/65/EU (RoHS2). Finished electrical and electronic equipment products will be CE marked as required by Directive 2011/65/EU. Components may not be CE marked. Additionally, the part numbers that TE has identified as EU ELV compliant have a maximum concentration of 0.1% by weight in homogenous materials for lead, hexavalent chromium, and mercury, and 0.01% for cadmium, or qualify for an exemption to these limits as defined in the Annexes of Directive 2000/53/EC (ELV). Regarding the REACH Regulation, the information TE provides on SVHC in articles for this part number is based on the latest European Chemicals Agency (ECHA) 'Guidance on requirements for substances in articles' posted at this URL: <https://echa.europa.eu/guidance-documents/guidance-on-reach>

Compatible Parts



TE Part # 63555-2
250 FASTON FLAG REC 18-12 AWG TPBR



TE Part # 1217027-1
187 FASTON,FLAG,REC.,18-14 AWG, TPBR



TE Part # 62021-3
250 FASTON FLAG REC 12-10 AWB TPBR



TE Part # 63137-1
250 FASOTN FLAG REC 20-16 AWG TPBZ



TE Part # 60851-1
250 FASTON REC 12-10 AWG TPBR



TE Part # 41532
250 FASTON FLAG REC 18-12 AWG TPBR



TE Part # 41800
250 FASTON FLAG REC 18-12 AWG TPBZ



TE Part # 41802
250 FASTON FLAG REC 18-12 AWG TPBR



TE Part # 63651-1
250 FASTON FLAG REC 18-12 AWG TPBZ



TE Part # 63647-3
250 FASTON FLAG REC 18-14 AWG TPBR



TE Part # 60274-2
250 FASTON FLAG REC 18-12 AWG TPBZ



TE Part # 63517-1
250 FASTON FLAG REC 18-12 AWG TPBR



TE Part # 2232111-2
250 FASTON,FLAG,REC.,12-20 AWG, BR

TE Part # 2232111-3
250 FASTON,FLAG,REC.,12-20 AWG, TPBR

TE Part # 63555-1
250 FASTON FLAG REC 18-12 AWG BR

KIT
REPRESENTATION ONLY
TE Part # 7-1855041-7
SPARE PART KIT

Also in the Series | **FASTON 250**

Compression Connectors(4)

Crimp Terminal Housings(132)

Insertion & Extraction Tools(6)

Magnet Wire Terminals(1)

PCB Terminals(134)

Quick Disconnects(426)

Splices(4)

Customers Also Bought

TE Part #1969442-6
EP 2.5 TPA Housing, 6 Pos

TE Part #173722-1
187 PL EX REC. 26-20AWG PTBR

TE Part #179973-1
250 PL EX REC. 22-18AWG PTBR

TE Part #175024-1
250 PL EX REC. 15-10AWG PTBR

TE Part #2232343-1
250 PL EX FLAG REC. 18-12AWG PTBR

TE Part #927831-2
SPT REC 6.3 Contact SRC Sn

TE Part #2299282-2
POD-LOK 250 STR. AWG 18-14 PTPBR GF

TE Part #521085-1
DRYER .250 HOUSING NYLON 6/6



Documents

Product Drawings

[250 FASTON, FLAG, REC., 12-20 AWG, TPBR](#)

English

CAD Files

[3D PDF](#)

3D

Customer View Model

[ENG_CVM_CVM_2232111-1_B.2d_dxf.zip](#)

English

Customer View Model

[ENG_CVM_CVM_2232111-1_B.3d_igs.zip](#)

English

Customer View Model

[ENG_CVM_CVM_2232111-1_B.3d_stp.zip](#)

English

By downloading the CAD file I accept and agree to the [Terms and Conditions](#) of use.

Product Specifications

[Application Specification](#)

English

Agency Approvals

[Agency Approval Document](#)

English