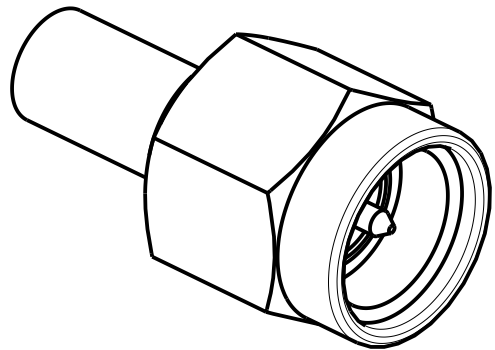
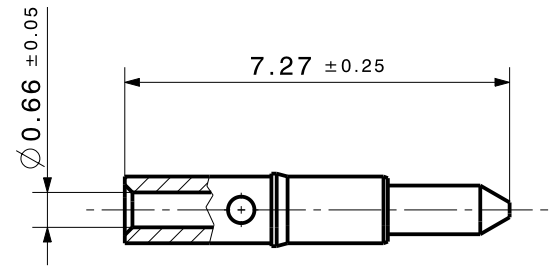
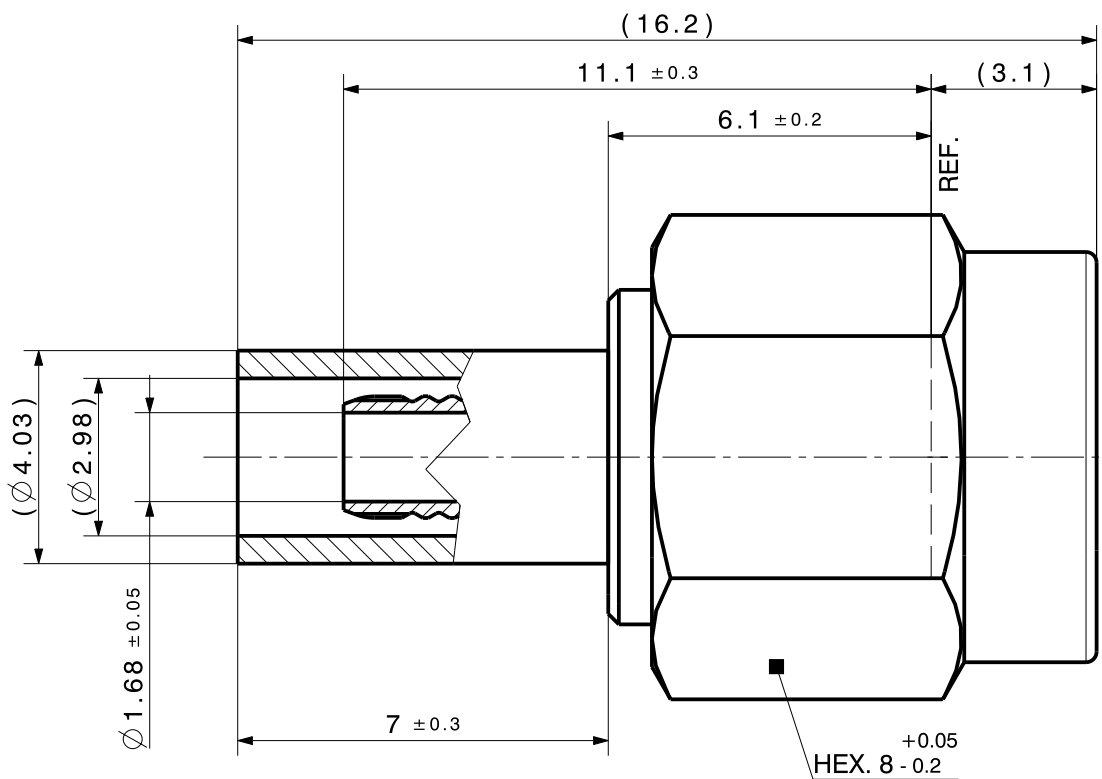
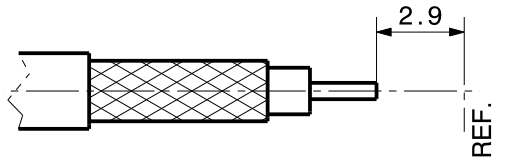


Cable shortening dimension



Type: 11_SMA-50-2-116		⚠ All dimensions after treatment in millimeter (mm)	
Assembly drawing	Released date: 05.06.2023	alternative ID	3D-ID PRO-01172646 A Sheet: 1 / 1
<b>HUBER+SUHNER</b>	description	ID	Release
	Cable plug	DOU-01172647	A