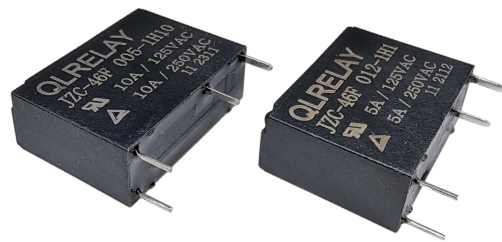


Power Relay Series 功率继电器系列--JZC-46F

FEATURES特点

- 10A contact switching capability
10A触点切换能力
- Plastic sealed and dust protected types available
塑封型和防尘罩型可供选择
- 1 Form A configurayions
具有一组常开触点形式
- Overall dimensions (20.5X7.0X15.1) mm
外形尺寸 (20.5X7.0X15.1) mm



CONTACT PARAMETERS触点参数

| | |
|-----------------------------------|------------------------|
| Contact Form触点形式 | A-1组常开 |
| Rating Load (Resistive) 额定负载 (阻性) | 5A/7A/10A 250VAC/30VDC |
| Max. Switching Current最大切换电流 | 5A/7A/10A |
| Max. Switching Voltage最大切换电压 | 250VAC/30VDC |
| Max. Switching Power最大切换功率 | 2500VA/300W |

CHARACTERISTICS性能参数

| | | |
|---------------------------------|--|----------------------------------|
| Contact Materials触点材料 | Ag Alloy银合金 | |
| Contact Resistance接触电阻 | 100mΩ Max | |
| Operate Time吸合时间 | 10ms. Max | |
| Release Time释放时间 | 5ms. Max | |
| Insulation Resistance绝缘电阻 | 1000MΩ Min.(DC500V) | |
| Initial Dielectric Strength介质耐压 | between open contacts: 触点与触点间: | AC750V, 50/60Hz 1Min |
| | between contacts and coil: 触点与线圈间: | AC4,000V, 50/60Hz 1Min |
| Vibration Resistance抗振动 | Damage limits: 耐久: | 10~55Hz Double Amplitude双振幅1.5mm |
| | Malfuction: 误动作: | 10~55Hz Double Amplitude双振幅1.5mm |
| Shock Resistance抗冲击 | Damage limits: 耐久: | 100G Min |
| | Malfuction: 误动作: | 10G Min |
| Life寿命 | Mechanical Life (10800 per hour) 机械寿命 (每小时10800次) | 5×10 ⁶ |
| | Electrical Life (1800 per hour) 电气寿命 (每小时1800次) | 1×10 ⁵ |
| Ambient Temperature环境温度 | -40℃ ~ +85℃ (No condensation) (不冷凝) | |
| Unit Weight单位重量 | 约Approx.3.0g | |

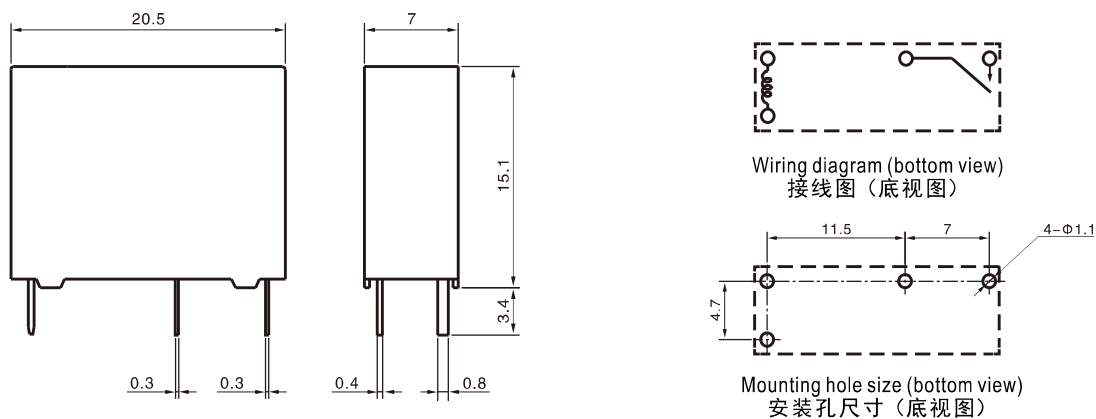
COIL RATINGS (at23°C) 线圈参数 (在23°C)

| Coil Nominal Voltage 额定电压 (VDC) | Nominal Current 额定电流 ±10%(mA) | Coil Resistance 线圈电阻 ±10% (Ω) | Max. Continuous Voltage 最大连续外加电压 | Pick-Up Voltage 吸合电压 (Max) | Drop-Out Voltage 释放电压 (Min) | Rated power 额定功率 |
|------------------------------------|----------------------------------|----------------------------------|---|---|---|---------------------|
| 3 | 66.67 | 45 | Coil Nominal Voltage 130% 额定电压的 130% | Coil Nominal Voltage 75% 额定电压的 75% | Coil Nominal Voltage 10% 额定电压的 10% | 0.20W |
| 5 | 40.00 | 125 | | | | |
| 6 | 33.33 | 180 | | | | |
| 9 | 22.22 | 405 | | | | |
| 12 | 16.67 | 720 | | | | |
| 18 | 11.11 | 1,620 | | | | |
| 24 | 8.57 | 2,880 | | | | |

ORDERING INFORMATION 订货标记

| JZC-46F 012 - 1H 1 0 (XXX) | | | | | |
|--|--|---|---|---|---|
| 1 | 2 | 3 | 4 | 5 | 6 |
| 1. Model Number 基本型号 JZC-46F | 4. Encapsulation form: 1-Plastic Sealed 2:Fluk proofed 封装形式: 1-塑封型 2-防焊剂型 | | | | |
| 2. Coil Voltage 线圈规格 (VDC): DC3V, DC5V, DC6V, DC9V, DC12V, DC18V, DC24V | 5. Load switching capability: Nil: 5A 250VAC 7: 7A 250VAC 0: 10A 250VAC 负载切换能力: 无: 5A 250VAC 7: 7A 250VAC 0: 10A 250VAC | | | | |
| 3. Contact form: 1H-1Form A 触点形式: 1H-1组常开 | 6. Customer Special Code :XXX- Customer Special Requirements No - Standard Type 客户特性号: XXX-客户特殊要求, 无-标准型 | | | | |

OUTLINE DIMENSIONS (UNIT:mm) 外形尺寸 (单位: mm)



Undimensioned tolerance: <1mm: ±0.2mm 1~5mm: ±0.3mm >5mm: ±0.4mm
未标注尺寸公差: <1mm: ±0.2mm 1~5mm: ±0.3mm >5mm: ±0.4mm

Note: 1. The size of the lead foot is pre welding dimension. 注: 1、引出脚尺寸为预焊前尺寸
2. installation hole size tolerance: + 0.1mm 2、安装孔尺寸公差: ±0.1mm

SAFETY STANDARD安规认证

| | | |
|--------------------------|------------------|------------------|
| AuthType Basic认证类别 | TUV | UL |
| Authentication Load 认证负载 | 5A/7A/10A 250VAC | 5A/7A/10A 250VAC |

TYPICAL USE典型用途

- Communication ● Safety equipment, Smart home ● Office equipment, Etc..
- Household appliances, Such as air conditioners, Microwave ovens
- 通讯 ● 安全设备, 智能家居 ● 办公设备等 ● 家用电器, 如空调, 微波炉

PERFORMANCE CHART性能曲线图

