

1718348-1 ✓ ACTIVE

MCON | MCON 1.2mm

TE Internal #: 1718348-1

Tab, Mating Tab Width 1.2 mm [.047 in], Tab Thickness .6 mm [.024 in], 23 – 22 AWG Wire Size, MCON 1.2mm, Automotive Terminals

[View on TE.com >](#)



Terminals & Splices > Automotive Terminals > MCON Receptacle and Tab



Terminal Type: **Tab**

Mating Tab Width: **1.2 mm [.047 in]**

Mating Tab Thickness: **.6 mm [.024 in]**

Terminal Transmits: **0 – 24 A (Low Power)**

Wire Size: **23 – 22 AWG**

[All MCON Receptacle and Tab \(65\)](#)

Features

Product Type Features

Receptacle Style	180°
Sealable	No
Primary Locking Feature	Clean Body

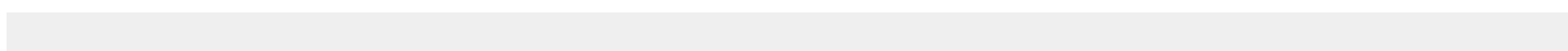
Contact Features

Contact Size	1.2mm
Contact Fabrication	Stamped & Formed
Wire Contact Termination Area Plating Material	Tin
Crimp Type	F-Crimp
Terminal Type	Tab
Mating Tab Width	1.2 mm [.047 in]
Mating Tab Thickness	.6 mm [.024 in]
Interface Plating	Tin (Sn)

Termination Features

Termination Method to Wire & Cable	Crimp
Product Terminates To	Wire

Dimensions





Compatible Insulation Diameter Range	1.1 – 1.6 mm [.043 – .063 in]
Wire Size	.25 – .35 mm ²
Wire Size Search	22 AWG, 23 AWG

Usage Conditions

Insulation Option	Uninsulated
Operating Temperature (Max)	80 °C, 85 °C, 90 °C, 100 °C, 105 °C, 110 °C, 120 °C, 125 °C, 130 °C [176 °F][185 °F][194 °F][212 °F][221 °F][230 °F][248 °F][257 °F][266 °F]
Operating Temperature Range	-40 – 130 °C [-40 – 266 °F]

Operation/Application

Conforms to KOMAX Automatic Component Insertion Guideline	Yes, per Version 5.0 (March 2018)
Compatible With Wire Base Material	Copper

Packaging Features

Packaging Quantity	9000
Packaging Method	Box

Other

Terminal Transmits	0 – 24 A (Low Power)
--------------------	----------------------

Product Compliance

[For compliance documentation, visit the product page on TE.com>](#)

EU RoHS Directive 2011/65/EU	Compliant
EU ELV Directive 2000/53/EC	Compliant
China RoHS 2 Directive MIIT Order No 32, 2016	No Restricted Materials Above Threshold
EU REACH Regulation (EC) No. 1907/2006	Current ECHA Candidate List: JUNE 2024 (241) Candidate List Declared Against: JUNE 2024 (241) Does not contain REACH SVHC
Halogen Content	Low Halogen - Br, Cl, F, I < 900 ppm per homogenous material. Also BFR/CFR/PVC Free
Solder Process Capability	Not applicable for solder process capability

Product Compliance Disclaimer

This information is provided based on reasonable inquiry of our suppliers and represents our current actual knowledge based on the information they provided. This information is subject to change. The part numbers that TE has identified as



EU RoHS compliant have a maximum concentration of 0.1% by weight in homogenous materials for lead, hexavalent chromium, mercury, PBB, PBDE, DBP, BBP, DEHP, DIBP, and 0.01% for cadmium, or qualify for an exemption to these limits as defined in the Annexes of Directive 2011/65/EU (RoHS2). Finished electrical and electronic equipment products will be CE marked as required by Directive 2011/65/EU. Components may not be CE marked. Additionally, the part numbers that TE has identified as EU ELV compliant have a maximum concentration of 0.1% by weight in homogenous materials for lead, hexavalent chromium, and mercury, and 0.01% for cadmium, or qualify for an exemption to these limits as defined in the Annexes of Directive 2000/53/EC (ELV). Regarding the REACH Regulation, the information TE provides on SVHC in articles for this part number is based on the latest European Chemicals Agency (ECHA) 'Guidance on requirements for substances in articles' posted at this URL: <https://echa.europa.eu/guidance-documents/guidance-on-reach>

Compatible Parts



TE Part # 1579007-8
EXTRACTION TOOL



TE Part # 1534594-1
MCON 1.2 CB REC SRC SN



TE Part # 7-2151042-7
OCEAN_2.0_SPARE_PART_KIT-050F0700



TE Part # 2301461-1
30POS, HYBRID, TAB HSG ASSY, SLD, COD A



TE Part # 1-2298627-1
24POS, HYBRID, TAB HSG ASSY, UNSLD, COD A



TE Part # 2151042-1
OCEAN_2.0_APPLICATOR-S-050F0700-RSM



TE Part # 2151042-2
OCEAN_2.0_APPLICATOR-S-050F0700-RSA



TE Part # 2298566-1
22POS, TAB ASSY, MCON1.2, MQS, MCP2.8



TE Part # 2298627-1
24POS, HYBRID, TAB HSG ASSY, UNSLD, COD A



TE Part # 2298637-1
60POS, HYBRID, TAB HSG ASSY, UNSLD, COD A



TE Part # 2301461-2
30POS, HYBRID, TAB HSG ASSY, SLD, COD B



TE Part # 2305570-1
Strip Terminal Cutter-Side Feed-No Crimp



TE Part # 2837652-2
OCEAN-2.0-APPLICATOR-S-050F0700-SSA



TE Part # 5-2151042-1
OCEAN_2.0_APPLICATOR-S-050F0700-RSM

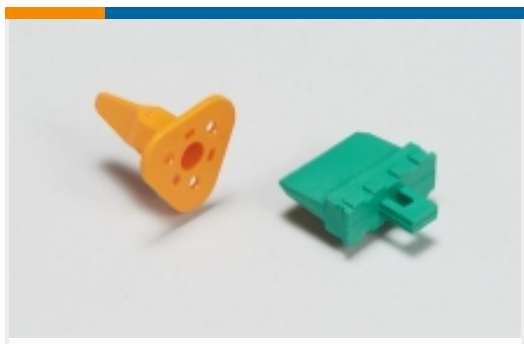


TE Part # 5-2151042-2
OCEAN_2.0_APPLICATOR-S-050F0700-RSA

Also in the Series | MCON 1.2mm



Automotive Connector Caps & Covers (18)



Automotive Connector Locks & Position Assurance(10)



Automotive Housings(328)



Automotive Terminals(96)



Connector Seals & Cavity Plugs(11)



Insertion & Extraction Tools(5)



Other Automotive Connector Accessories(7)

Customers Also Bought



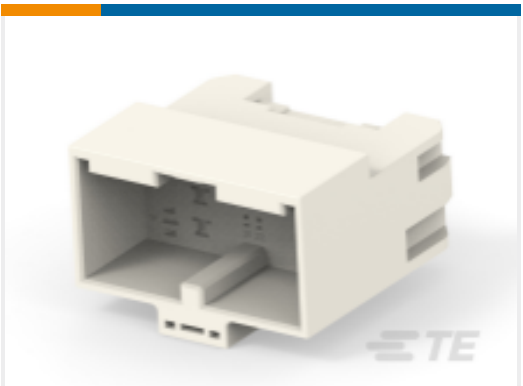
TE Part #1563190-1
2POS,TAB 1.6 X 0.6,TAB HSG,COD



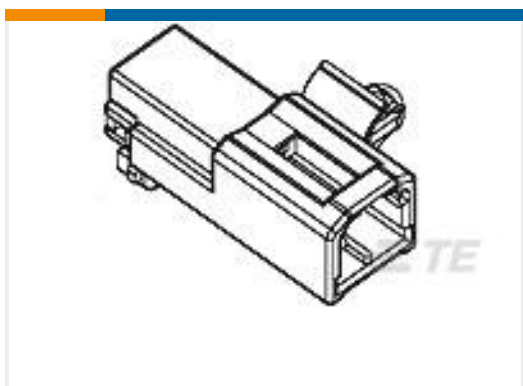
TE Part #963755-1
TIMER, RECEPTACLE AND TAB



TE Part #1924968-4
Contact, male 0.64, 18 AWG



TE Part #2005330-1
025/090/110 HYB 24P CAP ASSY



TE Part #178602-1
070 MULTILOC CAP HSG PANEL LOC



TE Part #2282154-3
6POS,NANOMQS,REC HSG,CODC



TE Part #2294218-1
4POS MQS REC COD A



TE Part #2294663-1
6P MQS SHEILD ASSY WITH CPA

Documents

[Product Drawings](#)
[MCON 1.2 CB TAB STC SN](#)

English

CAD Files

[3D PDF](#)

[3D](#)

[Customer View Model](#)

[ENG_CVM_CVM_1718348-1_A_c-1718348-1-a.2d_dxf.zip](#)



English

Customer View Model

[ENG_CVM_CVM_1718348-1_A_c-1718348-1-a.3d_igs.zip](#)

English

Customer View Model

[ENG_CVM_CVM_1718348-1_A_c-1718348-1-a.3d_stp.zip](#)

English

By downloading the CAD file I accept and agree to the [Terms and Conditions](#) of use.

Product Specifications

[Application Specification](#)

German

[Application Specification](#)

English

[Application Specification](#)

English