

927777-6 ✓ ACTIVE

AMP | Junior Power Timer

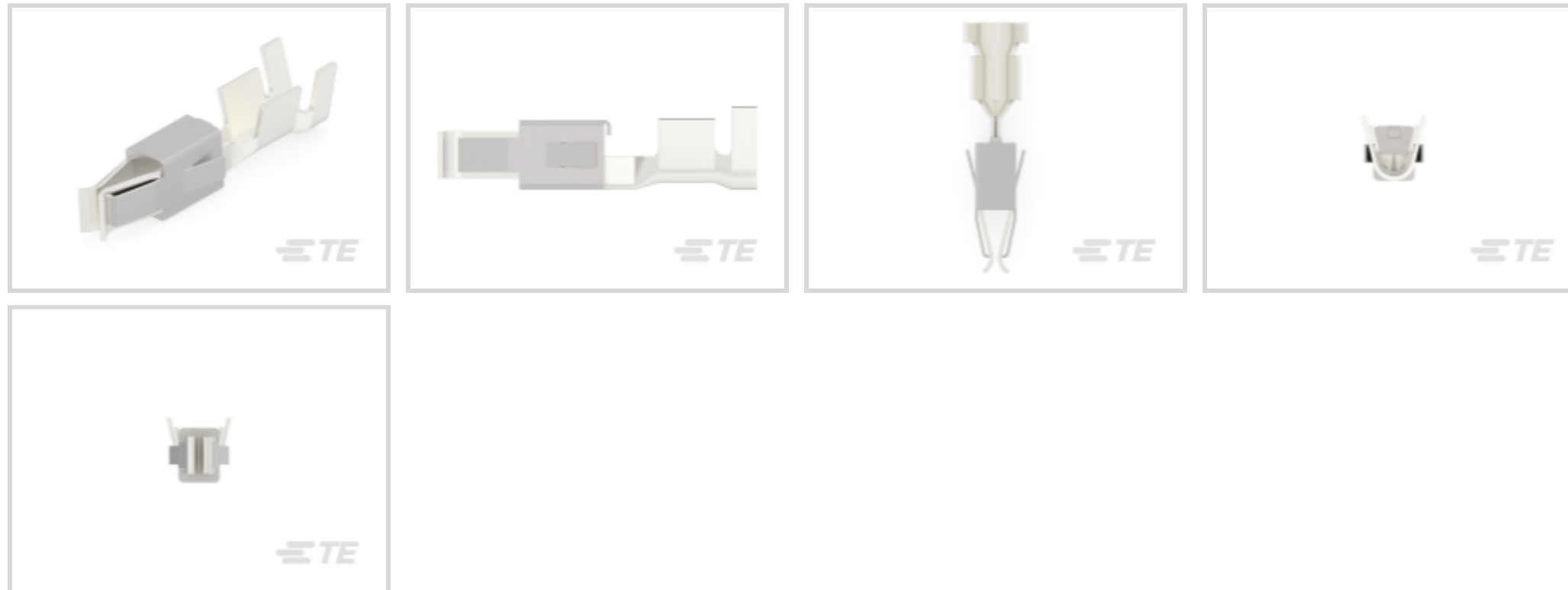
TE Internal #: 927777-6

Receptacle, Mating Tab Width 2.8 mm [.11 in], Tab Thickness .8 mm [.031 in], 17 – 13 AWG Wire Size, Junior Power Timer, Automotive Terminals

[View on TE.com >](#)



Terminals & Splices > Automotive Terminals



Terminal Type: **Receptacle**

Mating Tab Width: **2.8 mm [.11 in]**

Mating Tab Thickness: **.8 mm [.031 in]**

Terminal Transmits: **25 – 40 A (Power)**

Wire Size: **17 – 13 AWG**

Features

Product Type Features

Sealable	No
Primary Locking Feature	Locking Lance

Contact Features

Contact Size	2.8mm
Contact Fabrication	Stamped & Formed
Crimp Type	F-Crimp
Terminal Type	Receptacle
Mating Tab Width	2.8 mm[.11 in]
Mating Tab Thickness	.8 mm[.031 in]
Interface Plating	Silver (Ag)

Termination Features

Termination Method to Wire & Cable	Crimp
Product Terminates To	Wire

Dimensions



Wire Size	1 – 2.5 mm ²
Wire Size Search	13 AWG

Usage Conditions

Insulation Option	Uninsulated
Operating Temperature (Max)	140 °C[284 °F]
Operating Temperature Range	-40 – 140 °C[-40 – 284 °F]

Packaging Features

Packaging Quantity	3000
Packaging Method	Box

Other

Terminal Transmits	25 – 40 A (Power)
--------------------	-------------------

Product Compliance

[For compliance documentation, visit the product page on TE.com>](#)

EU RoHS Directive 2011/65/EU	Compliant
EU ELV Directive 2000/53/EC	Compliant
China RoHS 2 Directive MIIT Order No 32, 2016	No Restricted Materials Above Threshold
EU REACH Regulation (EC) No. 1907/2006	Current ECHA Candidate List: JUNE 2024 (241) Candidate List Declared Against: JUNE 2024 (241) Does not contain REACH SVHC
Halogen Content	Low Halogen - Br, Cl, F, I < 900 ppm per homogenous material. Also BFR/CFR/PVC Free
Solder Process Capability	Not applicable for solder process capability

Product Compliance Disclaimer

This information is provided based on reasonable inquiry of our suppliers and represents our current actual knowledge based on the information they provided. This information is subject to change. The part numbers that TE has identified as EU RoHS compliant have a maximum concentration of 0.1% by weight in homogenous materials for lead, hexavalent chromium, mercury, PBB, PBDE, DBP, BBP, DEHP, DIBP, and 0.01% for cadmium, or qualify for an exemption to these limits as defined in the Annexes of Directive 2011/65/EU (RoHS2). Finished electrical and electronic equipment products will be CE marked as required by Directive 2011/65/EU. Components may not be CE marked. Additionally, the part numbers that TE has identified as EU ELV compliant have a maximum concentration of 0.1% by weight in homogenous materials for lead, hexavalent chromium, and mercury, and 0.01% for cadmium, or qualify for an exemption to these limits as defined in the Annexes of Directive 2000/53/EC (ELV). Regarding the REACH Regulation, the information TE provides on SVHC in articles for this part number is based on the latest European Chemicals Agency (ECHA) 'Guidance on requirements for substances in articles' posted at this URL: <https://echa.europa.eu/guidance-documents/guidance-on-reach>

Compatible Parts



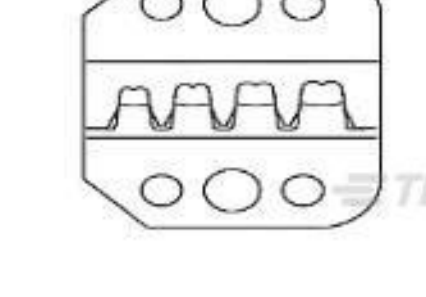
TE Part # 4-1579007-3
EXTRACTION TOOL KIT



TE Part # 1-1579007-6
EXTRACTION TOOL



TE Part # 58603-1
PROCRIMP JPT & 2.8MM TAB



TE Part # 58603-2
PROCRIMP DIE JPT 2.8MM TAB



REPRESENTATION ONLY. DIE SET MAY VARY.

TE Part # 2390882-1
SDE F JR PWR TMR 1.5-2.5mm2 ASSY



REPRESENTATION ONLY. DIE SET MAY VARY.

TE Part # 2392638-1
SDE F JR PWR TMR 1.5-2.5mm2 ASSY



TE Part # 2392638-2
SDE F JR PWR TMR 1.5-2.5mm2 DIE SET




TE Part # 2390882-2
SDE F JR PWR TMR 1.5-2.5mm2 DIE SET

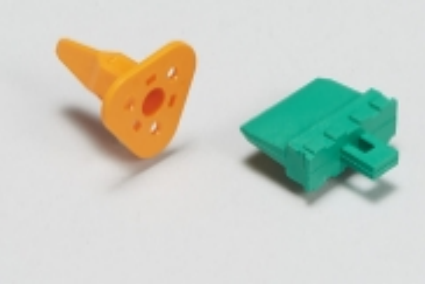


TE Part # 169400
CERTI-LOK FRAME W/O DIES

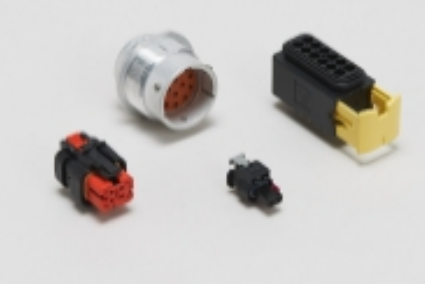
Also in the Series | Junior Power Timer




Automotive Connector Caps & Covers (9)




Automotive Connector Locks & Position Assurance(8)




Automotive Housings(318)



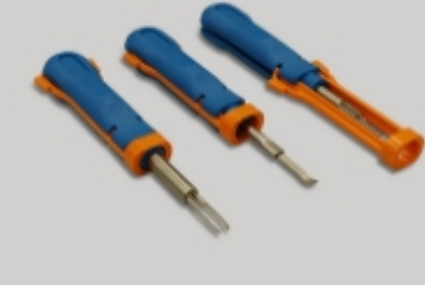
Automotive Terminals(189)



Busbars & Terminals(1)



Connector Seals & Cavity Plugs(9)



Insertion & Extraction Tools(8)



Module Components(1)



Other Automotive Connector Accessories(2)



Special Purpose Terminals(2)

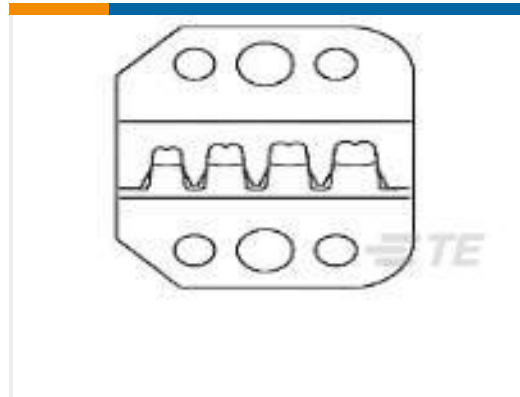
Customers Also Bought



TE Part #1-965640-3
Timer Connector Housing



TE Part #1-2331098-1
TAB HEADER 21POS.



TE Part #90547-2
PROCRIMPER DIE ASSY UNIV MNL.



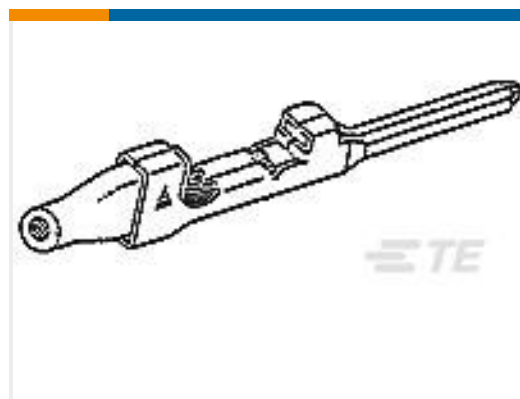
TE Part #928794-2
FF 110 TAB PTP CUZN30



TE Part #928931-1
FF 110 (2.8 X 0.8 MM) TAB SSP
CUZN30



TE Part #K1129502
Relay 30-313-12-EC-10-900



TE Part #175063-1
040 MULTILOCK TAB CONT. L/P



TE Part #K1013135
Angle Connection Typ 26-56-52

Documents

Product Drawings

JUNIOR POWER TIMER CONTACT

English

CAD Files

3D PDF

3D

Customer View Model

[ENG_CVM_CVM_927777-6_P.2d_dxf.zip](#)

English

Customer View Model

[ENG_CVM_CVM_927777-6_P.3d_igs.zip](#)

English

Customer View Model

[ENG_CVM_CVM_927777-6_P.3d_stp.zip](#)

English

By downloading the CAD file I accept and agree to the [Terms and Conditions](#) of use.



[Product Specifications](#)

[Application Specification](#)

English