

MATERIALS AND FINISHES:

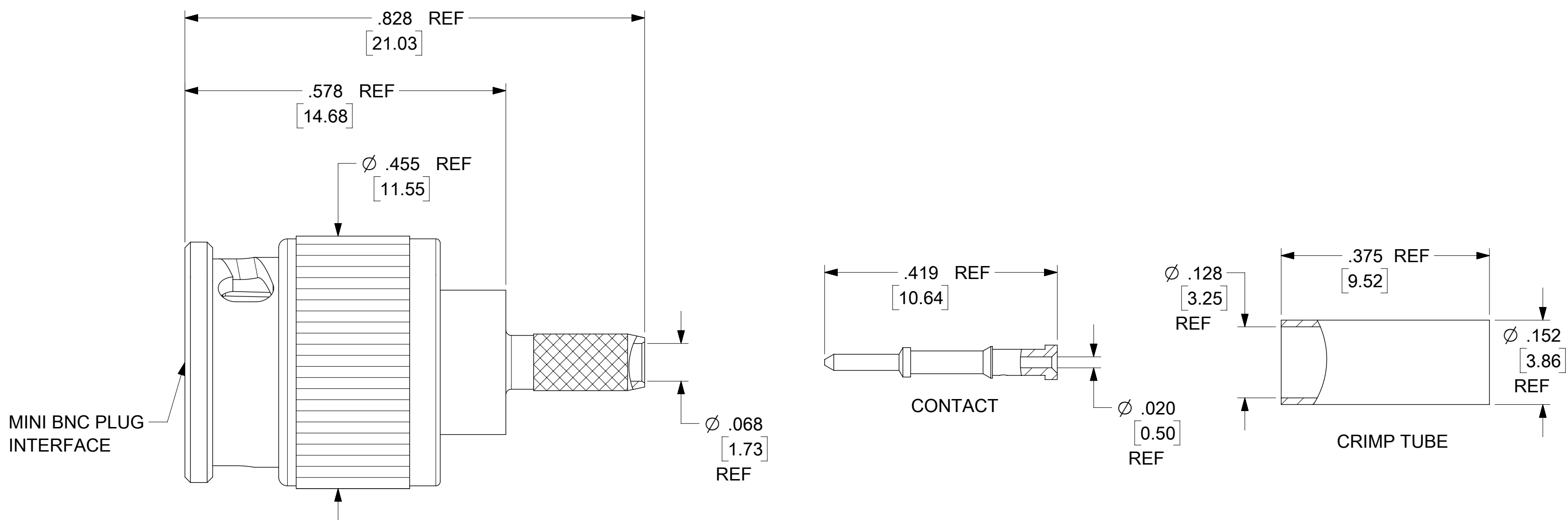
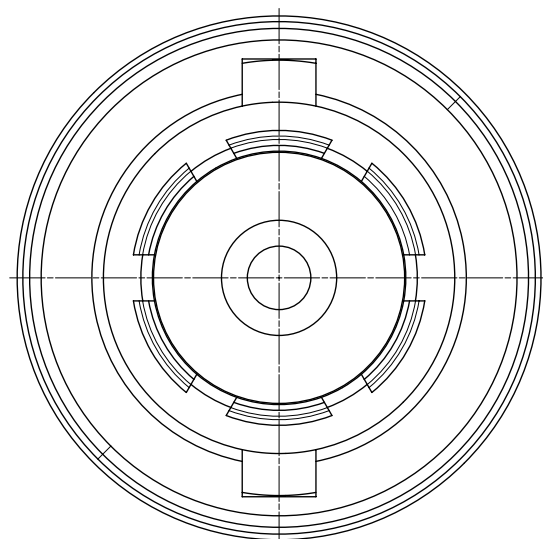
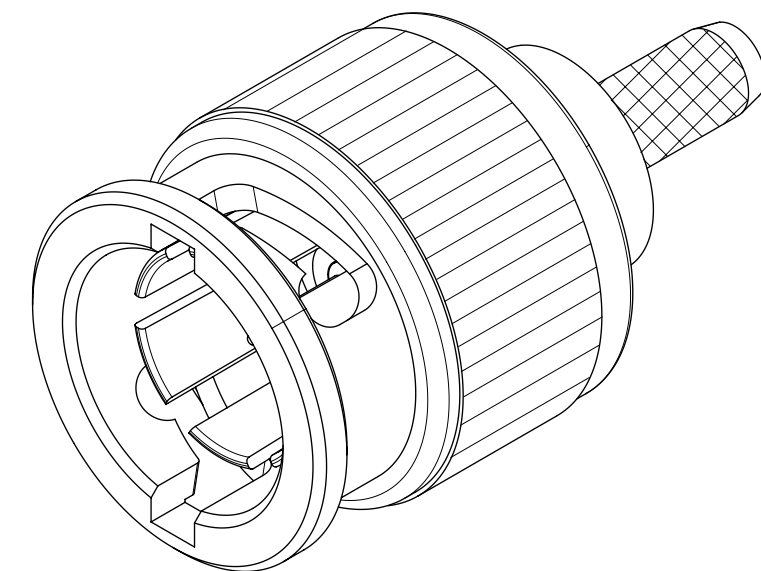
BODY, CRIMP TUBE, WASHER & COUPLING NUT : BRASS  
 PLATED: NICKEL(100μ-in MIN)

CENTER CONTACT: BRASS  
 PLATED: GOLD(30μ-in MIN)  
 OVER NICKEL(100μ-in MIN)

INSULATOR: PTFE

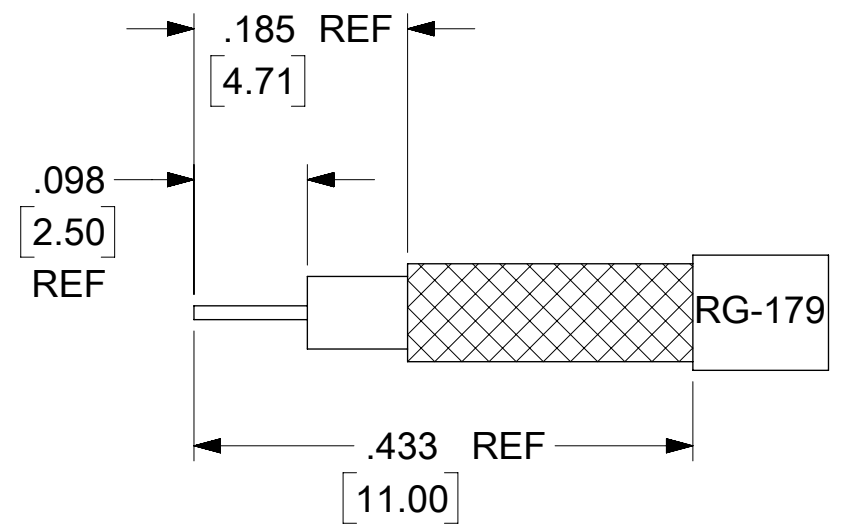
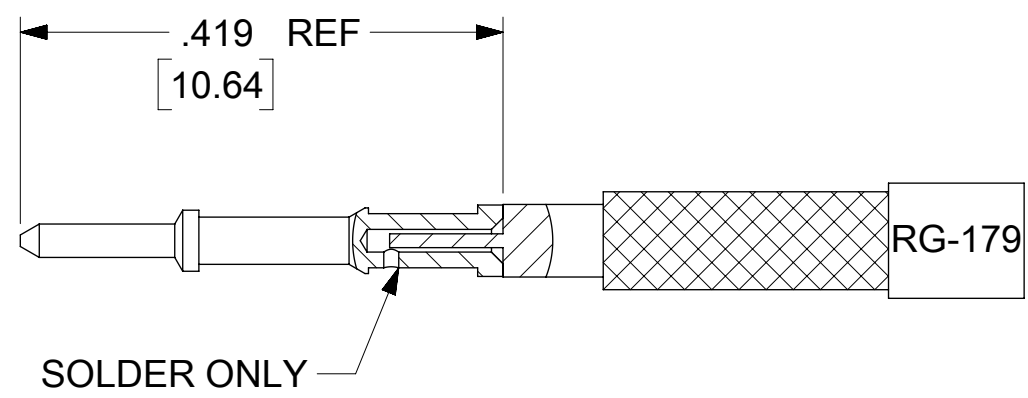
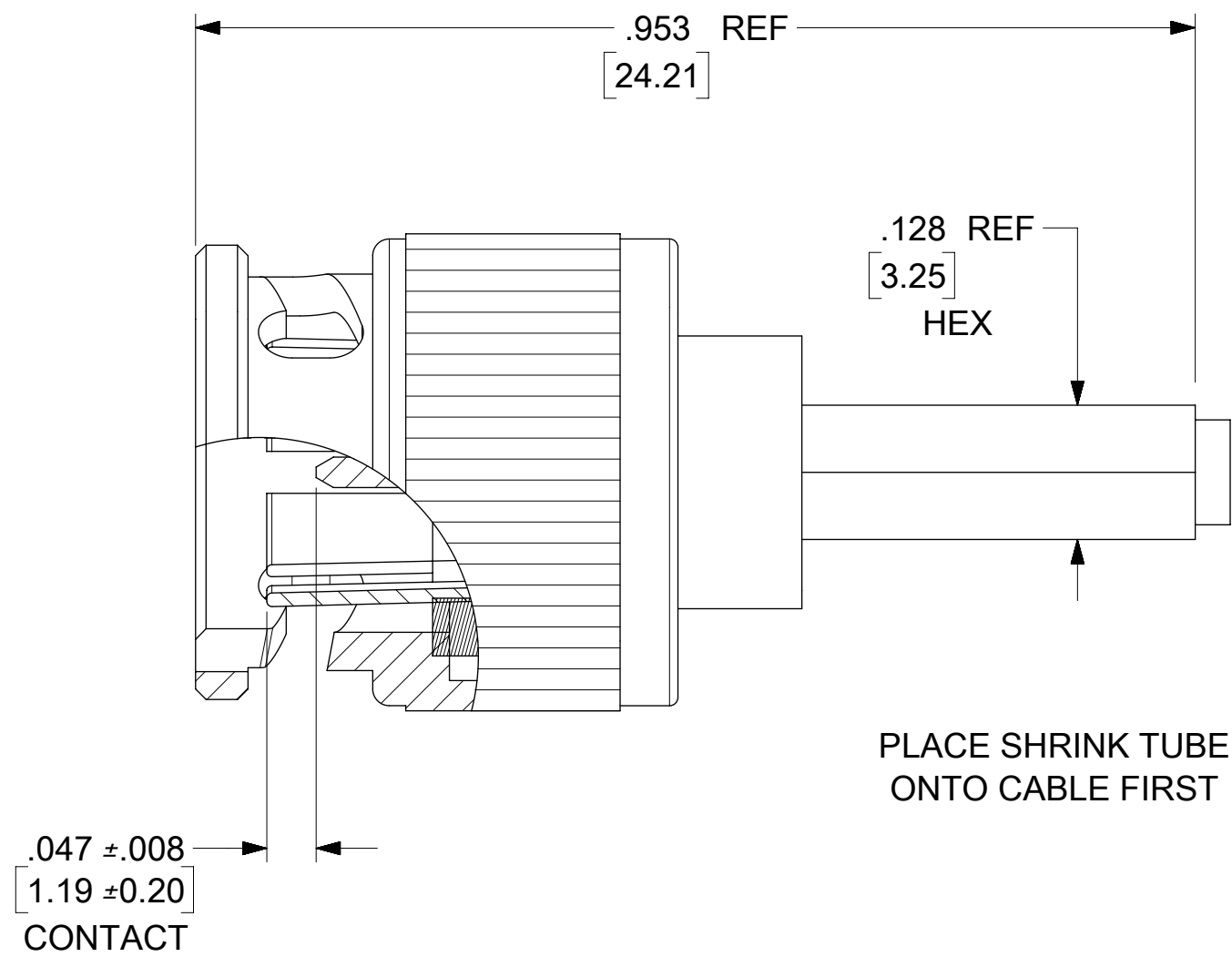
GASKET: SILICONE RUBBER

WAVE WASHER: BERYLLIUM COPPER  
 PLATED: NICKEL(100μ-in MIN)



73171-2641	73171-2640, ONE PER BAG
73171-2640	TRAY
PART NO.	PACKAGING

SYMBOLS ▽ = 0 ▽ = 0 ▽ = 0 ▽ = 0 ▽ = 0 ▽ = 0 ▽ = 0 ▽ = 0 ▽ = 0 ▽ = 0	THIS DRAWING CONTAINS INFORMATION THAT IS PROPRIETARY TO MOLEX ELECTRONIC TECHNOLOGIES, LLC AND SHOULD NOT BE USED WITHOUT WRITTEN PERMISSION		DIMENSION UNITS <b>INCH</b>		SCALE CURRENT REV DESC: SEE ECM
	GENERAL TOLERANCES (UNLESS SPECIFIED)		EC NO: 175335 DRWN: APRAKASH01 2018/04/19 CHK'D: APRAKASH01 2018/04/24 APPR: AROBERTSON 2018/04/24		
	4 PLACES ±      ± 3 PLACES ±      ± 0.01 2 PLACES ± 0.25 ± 1 PLACE ±      ± 0 PLACES ±      ±		INITIAL REVISION: DRWN: JMASTRIANO 2005/05/05 APPR: JWIENER 2005/05/05		
	ANGULAR TOL ± 2.0°		THIRD ANGLE PROJECTION		DOCUMENT NUMBER <b>SD-73171-264</b>
DRAFT WHERE APPLICABLE MUST REMAIN WITHIN DIMENSIONS		DRAWING C-SIZE		SERIES 73171	DOC PART 001
DOCUMENT STATUS P1		RELEASE DATE 2018/04/24 15:16:07		MATERIAL NUMBER SEE TABLE	CUSTOMER SHEET NUMBER 1 OF 2



RECOMMENDED CABLE STRIP DIMENSIONS

SYMBOLS	THIS DRAWING CONTAINS INFORMATION THAT IS PROPRIETARY TO MOLEX ELECTRONIC TECHNOLOGIES, LLC AND SHOULD NOT BE USED WITHOUT WRITTEN PERMISSION				
	DIMENSION UNITS	SCALE	CURRENT REV DESC: SEE ECM		
▽ = 0	INCH		<b>molex</b> MINI BNC PLUG, STR RG179, 75 OHMS, MINI BNC-PC, EWR-11570 PRODUCT CUSTOMER DRAWING		
▽ = 0	GENERAL TOLERANCES (UNLESS SPECIFIED)				
▽ = 0		MM			INCH
▽ = 0	4 PLACES ±				
▽ = 0	3 PLACES ±				± 0.01
▽ = 0	2 PLACES ±	0.25			
▽ = 0	1 PLACE ±				
▽ = 0	0 PLACES ±				
▽ = 0	ANGULAR TOL	± 2.0°			
▽ = 0	DRAFT WHERE APPLICABLE MUST REMAIN WITHIN DIMENSIONS	THIRD ANGLE PROJECTION	DRAWING	SERIES	
			C-SIZE	73171	
			MATERIAL NUMBER	CUSTOMER	
			SEE TABLE		
			DOCUMENT NUMBER	DOC TYPE   DOC PART   REVISION	
			SD-73171-264	PSD   001   A5	
				SHEET NUMBER	
				2 OF 2	

DOCUMENT STATUS	P1	RELEASE DATE	2018/04/24	15:16:07
-----------------	----	--------------	------------	----------