

THIS DRAWING IS UNPUBLISHED.

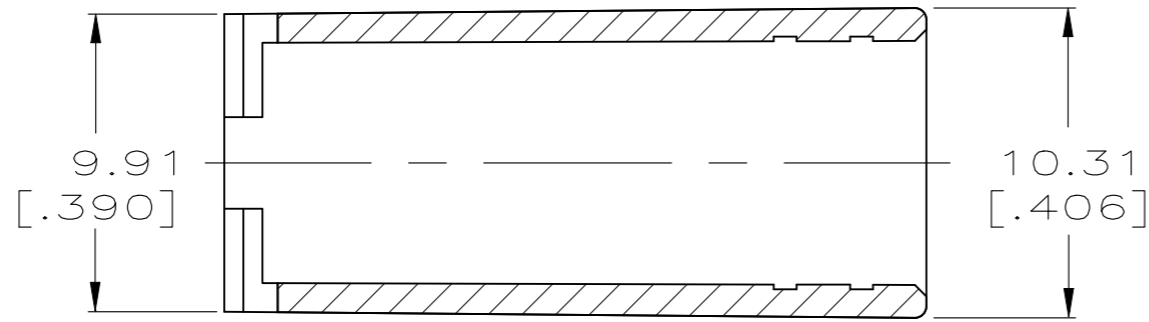
RELEASED FOR PUBLICATION

REVISIONS

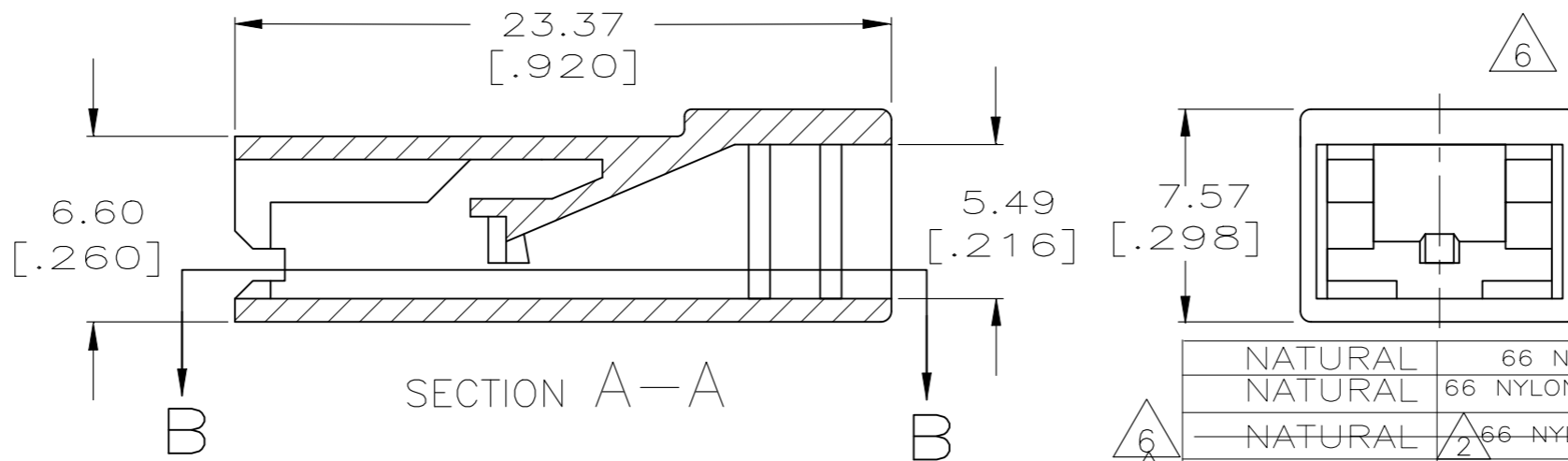
© COPYRIGHT - By -

ALL RIGHTS RESERVED.

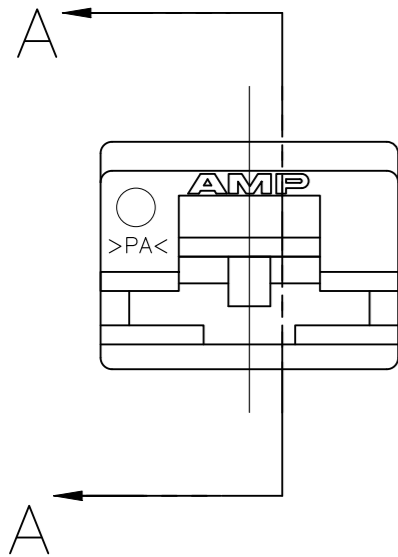
P	LTR	DESCRIPTION	DATE	DWN	APVD
	AT	REVISED PER ECR-24-204274	29APR2024	DK	RE



SECTION B-B



SECTION A-A



1 SPECIAL PACKAGING QUANTITIES.

2 POLYAMIDE ACCORDING TO IEC 60335-1, GLOW WIRE.

3 PRELIMINARY - NOT FOR PRODUCTION

5 CONTACT PRODUCT ENGINEERING FOR TERMINAL RECOMMENDATIONS WHEN USING THIS INSULATOR WITH 10 AWG WIRE

6 SUPERSEDED BY 2-480416-5

FINISH	MATERIAL	PART NO
NATURAL	66 NYLON, VO GWT	2-480416-5
NATURAL	66 NYLON, UL94 VO 150C	2-480416-4
NATURAL	66 NYLON, UL94 VO	2-480416-3
NATURAL	UL94 V2	2-480416-2
NATURAL	6/6 NYLON	2-480416-1
NATURAL	UL94 5VA RATED	2-480416-0
NATURAL	4/6 NYLON UL 150	1-480416-8
NATURAL	66 NYLON, VO	1-480416-7
NATURAL	POLYESTER	1-480416-6
RED	6/6 NYLON	1-480416-4
BLUE		1-480416-3
BLACK		1-480416-1
NATURAL		1-480416-0

SUPERSEDED BY 2-480416-5

SUPERSEDED BY 1-480416-0

OBSOLETE

SUPERSEDED BY 1-480416-0

2	NATURAL	66 UL NYLON VO NATURAL	2-480416-5
	BLACK	66/6 VO BLACK	480416-2
	NATURAL	66/6 VO NATURAL	480416-1
	FINISH	MATERIAL	PART NO

THIS DRAWING IS A CONTROLLED DOCUMENT.

DWN JR RUTH 2/4/91
CHK P FORTNEY 2/4/91
APVD C MEYERS 2/4/91

TE Connectivity

HOUSING, RECEPTACLE, FASTON, 6.35 [.250] SERIES

NAME: -

SIZE: A3 CAGE CODE: 00779 DRAWING NO: 480416 RESTRICTED TO: -

SCALE: 4:1 SHEET: 1 of 1 REV: AT

CUSTOMER DRAWING