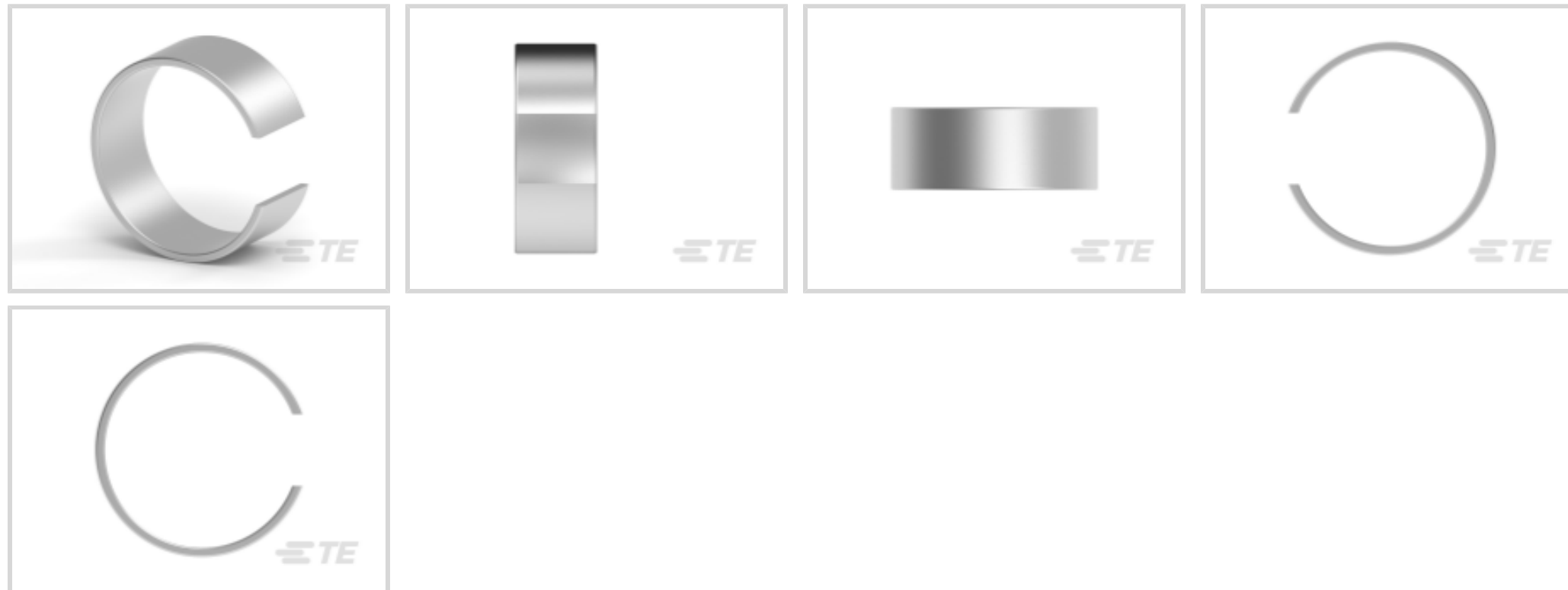




Connectors > Connector Accessories > Connector Strain Relief



Strain Relief Accessory Type: **Split Ring Ferrule**

Compatible With Connector Shell Size: **2, 3**

Shielded: **Yes**

Packaging Method: **Package**

Packaging Quantity: **1**

## Features

### Product Type Features

Strain Relief Accessory Type	Split Ring Ferrule
------------------------------	--------------------

### Operation/Application

Compatible With Connector Shell Size	2, 3
Shielded	Yes

### Packaging Features

Packaging Method	Package
Packaging Quantity	1

## Product Compliance

[For compliance documentation, visit the product page on TE.com>](#)

EU RoHS Directive 2011/65/EU	Compliant
EU ELV Directive 2000/53/EC	Compliant
China RoHS 2 Directive MIIT Order No 32, 2016	No Restricted Materials Above Threshold
EU REACH Regulation (EC) No. 1907/2006	Current ECHA Candidate List: JUNE 2024 (241)



Candidate List Declared Against: JUNE 2024 (241)

Does not contain REACH SVHC

Halogen Content	Low Halogen - Br, Cl, F, I < 900 ppm per homogenous material. Also BFR/CFR/PVC Free
Solder Process Capability	Not applicable for solder process capability

Product Compliance Disclaimer

This information is provided based on reasonable inquiry of our suppliers and represents our current actual knowledge based on the information they provided. This information is subject to change. The part numbers that TE has identified as EU RoHS compliant have a maximum concentration of 0.1% by weight in homogenous materials for lead, hexavalent chromium, mercury, PBB, PBDE, DBP, BBP, DEHP, DIBP, and 0.01% for cadmium, or qualify for an exemption to these limits as defined in the Annexes of Directive 2011/65/EU (RoHS2). Finished electrical and electronic equipment products will be CE marked as required by Directive 2011/65/EU. Components may not be CE marked. Additionally, the part numbers that TE has identified as EU ELV compliant have a maximum concentration of 0.1% by weight in homogenous materials for lead, hexavalent chromium, and mercury, and 0.01% for cadmium, or qualify for an exemption to these limits as defined in the Annexes of Directive 2000/53/EC (ELV). Regarding the REACH Regulation, the information TE provides on SVHC in articles for this part number is based on the latest European Chemicals Agency (ECHA) 'Guidance on requirements for substances in articles' posted at this URL: <https://echa.europa.eu/guidance-documents/guidance-on-reach>

### Compatible Parts



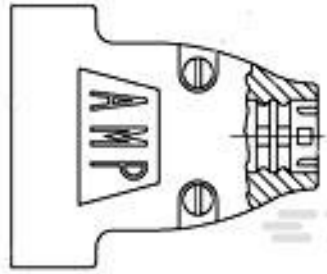
TE Part # 5747099-5  
CABLE CLAMP KIT, SZ 2



TE Part # 5745172-2  
15 POS STRAIN RELIEF KIT




TE Part # 5745652-3  
DIECAST STRAIN RELIEF KIT, SZ 2



TE Part # 5745919-3  
CABLE CLAMP KIT, SZ 2


### Also in the Series | AMPLIMITE Kit




Connector Caps & Covers(3)



Connector Hardware(103)



Connector Seals & Cavity Plugs(4)



Connector Strain Relief(144)

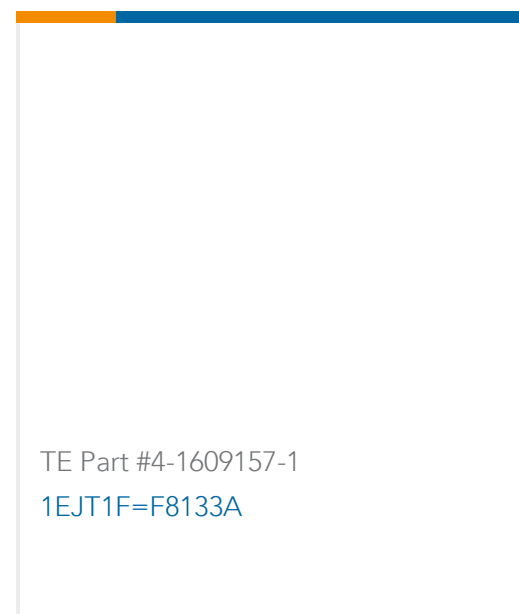
### Customers Also Bought



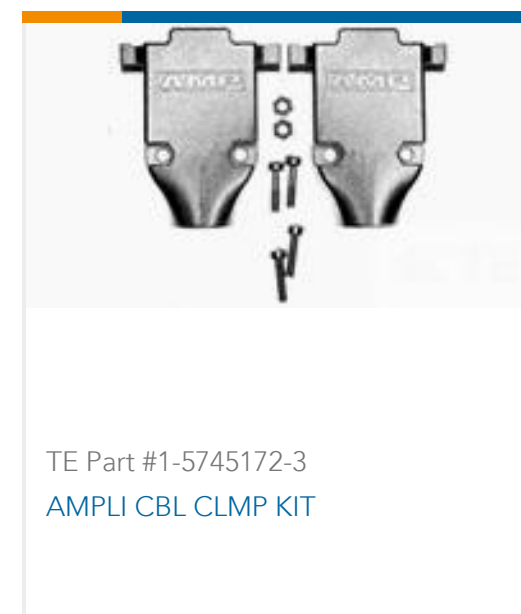
TE Part #5745967-8  
25 RCPT SP/FMS INSRT



TE Part #31887  
PIDG R 22-16 COMM 22-18 MIL 10



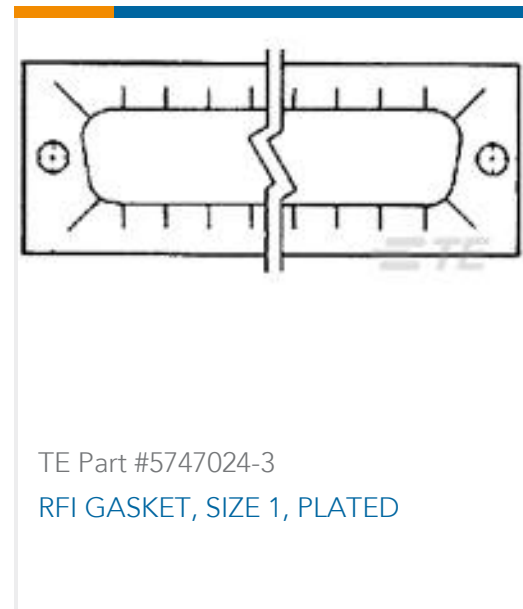
TE Part #4-1609157-1  
1EJT1F=F8133A



TE Part #1-5745172-3  
AMPLI CBL CLMP KIT



TE Part #5745854-1  
CABLE CLAMP KIT,SZ 1



TE Part #5747024-3  
RFI GASKET, SIZE 1, PLATED



TE Part #745508-2  
FERRULE SPLIT RING, HD



TE Part #1-794407-1  
MINI UMNL SOK 20-16 AWG AU LF



TE Part #213890-2  
CPC RECPT SEALED SIZE 17-3



TE Part #213899-1  
CPC SEAL ASSY KIT,SRS 5,17-3

## Documents

### Product Drawings

#### FERRULE SPLIT RING, HD

English

### CAD Files

#### Customer View Model

[ENG\\_CVM\\_CVM\\_745508-4\\_B.2d\\_dxf.zip](#)

English

#### 3D PDF

3D

#### Customer View Model

[ENG\\_CVM\\_CVM\\_745508-4\\_B.3d\\_igs.zip](#)

English

#### Customer View Model

[ENG\\_CVM\\_CVM\\_745508-4\\_B.3d\\_stp.zip](#)

English

By downloading the CAD file I accept and agree to the [Terms and Conditions](#) of use.

## Datasheets & Catalog Pages



[AMPLIMITE Subminiature D Connectors - Cable Connectors](#)

English

[AMPLIMITE Cable Connectors and Shielding Hardware Kits QRG](#)

English

---

[Instruction Sheets](#)

[Instruction Sheet \(U.S.\)](#)

English