

PLEASE CHECK WWW.MOLEX.COM FOR LATEST PART INFORMATION

Part Number: **0467651001**
Status: **Active**
Overview: High Definition Multimedia Interface (HDMI*) Micro Connectors
Description: 0.40mm Pitch Micro HDMI Connector, Right-Angle Receptacle, Surface Mount, with Through Hole Shell Tabs and Pick-and-Place Polyimide Tape, 19 Circuits, Lead-Free

Documents:

[3D Model](#) [Packaging Specification PK-46765-001 \(PDF\)](#)
[Drawing \(PDF\)](#) [RoHS Certificate of Compliance \(PDF\)](#)
[Product Specification PS-46765-003-001 \(PDF\)](#)

Agency Certification

CSA LR19980

General

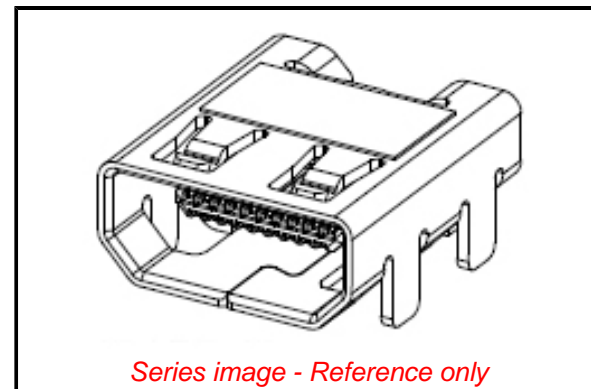
Product Family I/O Connectors
Series [46765](#)
Application Wire-to-Board
Component Type Receptacle
Overview [High Definition Multimedia Interface \(HDMI*\) Micro Connectors](#)
Product Name Micro HDMI
Type D
UPC 884982008571

Physical

Boot Color N/A
Circuits (Loaded) 19
Circuits (maximum) 19
Flammability 94V-0
Gender Female
Keying to Mating Part Yes
Lock to Mating Part Yes
Material - Metal Copper Alloy
Material - Plating Mating Gold
Material - Plating Termination Gold
Material - Resin High Temperature Thermoplastic
Net Weight 0.309/g
Number of Rows 2
Orientation Right Angle
PCB Retention Yes
Packaging Type Embossed Tape on Reel
Panel Mount No
Pitch - Mating Interface 0.40mm
Pitch - Termination Interface 0.40mm
Plating min - Mating 0.762µm
Plating min - Termination 0.051µm
Polarized to Mating Part Yes
Polarized to PCB Yes
Ports 1
Termination Interface: Style Surface Mount
Waterproof / Dustproof No

Electrical

Current - Maximum per Contact 0.8A
Grounding to Panel Yes
Shield Type Full Shield



Series image - Reference only

EU ELV

Not Relevant

EU RoHS

Compliant

REACH SVHC

Not Contained Per -
ED/61/2018 (27 June
2018)

Halogen-Free

Status

Low-Halogen

For more information, please visit [Contact US](#)

China ROHS

ELV

RoHS Phthalates

China RoHS

Green Image

Not Relevant

Not Contained

Search Parts in this Series

[46765 Series](#)

Mates With

[68786 Micro HDMI Cable Assemblies](#)

Shielded	Yes
Voltage - Maximum	30V

Solder Process Data

Duration at Max. Process Temperature (seconds)	010
Lead-free Process Capability	REFLOW
Max. Cycles at Max. Process Temperature	002
Process Temperature max. C	260

Material Info**Reference - Drawing Numbers**

Electrical Model Document	EE-46765-001
Packaging Specification	PK-46765-001
Product Specification	PS-46765-003-001
Sales Drawing	SD-46765-001

This document was generated on 11/08/2018

PLEASE CHECK WWW.MOLEX.COM FOR LATEST PART INFORMATION