

ON Semiconductor

Is Now

onsemi™

To learn more about onsemi™, please visit our website at
www.onsemi.com

onsemi and **onsemi** and other names, marks, and brands are registered and/or common law trademarks of Semiconductor Components Industries, LLC dba "**onsemi**" or its affiliates and/or subsidiaries in the United States and/or other countries. **onsemi** owns the rights to a number of patents, trademarks, copyrights, trade secrets, and other intellectual property. A listing of **onsemi** product/patent coverage may be accessed at www.onsemi.com/site/pdf/Patent-Marking.pdf. **onsemi** reserves the right to make changes at any time to any products or information herein, without notice. The information herein is provided "as-is" and **onsemi** makes no warranty, representation or guarantee regarding the accuracy of the information, product features, availability, functionality, or suitability of its products for any particular purpose, nor does **onsemi** assume any liability arising out of the application or use of any product or circuit, and specifically disclaims any and all liability, including without limitation special, consequential or incidental damages. Buyer is responsible for its products and applications using **onsemi** products, including compliance with all laws, regulations and safety requirements or standards, regardless of any support or applications information provided by **onsemi**. "Typical" parameters which may be provided in **onsemi** data sheets and/or specifications can and do vary in different applications and actual performance may vary over time. All operating parameters, including "Typicals" must be validated for each customer application by customer's technical experts. **onsemi** does not convey any license under any of its intellectual property rights nor the rights of others. **onsemi** products are not designed, intended, or authorized for use as a critical component in life support systems or any FDA Class 3 medical devices or medical devices with a same or similar classification in a foreign jurisdiction or any devices intended for implantation in the human body. Should Buyer purchase or use **onsemi** products for any such unintended or unauthorized application, Buyer shall indemnify and hold **onsemi** and its officers, employees, subsidiaries, affiliates, and distributors harmless against all claims, costs, damages, and expenses, and reasonable attorney fees arising out of, directly or indirectly, any claim of personal injury or death associated with such unintended or unauthorized use, even if such claim alleges that **onsemi** was negligent regarding the design or manufacture of the part. **onsemi** is an Equal Opportunity/Affirmative Action Employer. This literature is subject to all applicable copyright laws and is not for resale in any manner. Other names and brands may be claimed as the property of others.

ADT7484A/ADT7486A

Digital Temperature Sensor with SST Interface

The ADT7484A/ADT7486A are simple digital temperature sensors for use in PC applications with a Simple Serial Transport (SST) interface. These devices can monitor their own temperature as well as the temperature of one (ADT7484A) or two (ADT7486A) remote sensor diodes. The ADT7484A/ADT7486A are controlled by a single SST bidirectional data line. The devices are fixed-address SST clients where the target address is chosen by the state of the two address pins, ADD0 and ADD1.

Features

- 1 On-Chip Temperature Sensor
- 1 or 2 Remote Temperature Sensors
- Simple Serial Transport (SST) Interface Rev 1 Compliant
- These Devices are Pb-Free and are RoHS Compliant

Applications

- Personal Computers
- Portable Personal Devices
- Industrial Sensor Nets

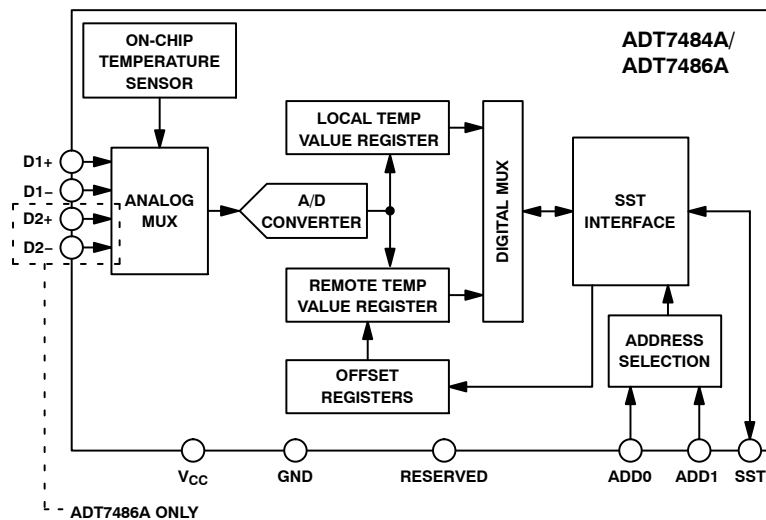


Figure 1. Functional Block Diagram

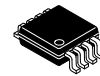


ON Semiconductor®

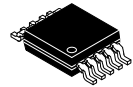
<http://onsemi.com>



SOIC-8
CASE 751

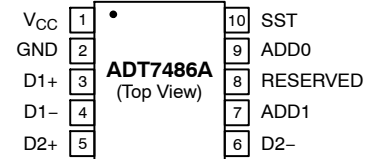
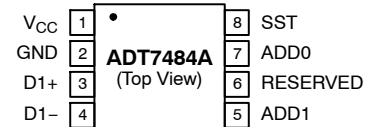


MSOP-8
CASE 846AB

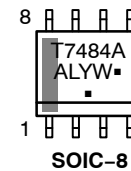


MSOP-10
CASE 846AC

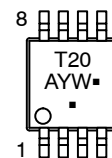
PIN ASSIGNMENTS



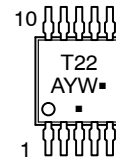
MARKING DIAGRAMS



T7484A = Specific Device Code
A = Assembly Location
L = Wafer Lot
Y = Year
W = Work Week
▪ = Pb-Free Package



MSOP-8



MSOP-10

T2x = Specific Device Code
A = Assembly Location
Y = Year
W = Work Week
▪ = Pb-Free Package

(Note: Microdot may be in either location)

ORDERING INFORMATION

See detailed ordering and shipping information in the package dimensions section on page 11 of this data sheet.

ADT7484A/ADT7486A

Table 1. ADT7484A PIN ASSIGNMENT

| Pin No. | Mnemonic | Type | Description |
|---------|-----------------|----------------------|--|
| 1 | V _{CC} | Power Supply | 3.3 V ±10% |
| 2 | GND | Ground | Ground Pin |
| 3 | D1+ | Analog Input | Positive Connection to Remote Temperature Sensor |
| 4 | D1- | Analog Input | Negative Connection to Remote Temperature Sensor |
| 5 | ADD1 | Digital Input | SST Address Select |
| 6 | RESERVED | Reserved | Connect to Ground |
| 7 | ADD0 | Digital Input | SST Address Select |
| 8 | SST | Digital Input/Output | SST Bidirectional Data Line |

Table 2. ADT7486A PIN ASSIGNMENT

| Pin No. | Mnemonic | Type | Description |
|---------|-----------------|----------------------|--|
| 1 | V _{CC} | Power Supply | 3.3 V ±10%. |
| 2 | GND | Ground | Ground Pin |
| 3 | D1+ | Analog Input | Positive Connection to Remote 1 Temperature Sensor |
| 4 | D1- | Analog Input | Negative Connection to Remote 1 Temperature Sensor |
| 5 | D2+ | Analog Input | Positive Connection to Remote 2 Temperature Sensor |
| 6 | D2- | Analog Input | Negative Connection to Remote 2 Temperature Sensor |
| 7 | ADD1 | Analog Input | SST Address Select |
| 8 | RESERVED | Analog Input | Connect to Ground |
| 9 | ADD0 | Digital Input | SST Address Select |
| 10 | SST | Digital Input/Output | SST Bidirectional Data Line |

Table 3. ABSOLUTE MAXIMUM RATINGS

| Parameter | Rating | Unit |
|---|-------------|------|
| Supply Voltage (V _{CC}) | 3.6 | V |
| Voltage on Any Other Pin (Including SST Pin) | 3.6 | V |
| Input Current at Any Pin | ±5.0 | mA |
| Package Input Current | ±20 | mA |
| Maximum Junction Temperature (T _{J MAX}) | 150 | °C |
| Storage Temperature Range | -65 to +150 | °C |
| Lead Temperature, Soldering IR Reflow Peak Temperature Lead Temperature, Soldering (10 sec) | 260 300 | °C |
| ESD Rating | 1,500 | V |

Stresses exceeding Maximum Ratings may damage the device. Maximum Ratings are stress ratings only. Functional operation above the Recommended Operating Conditions is not implied. Extended exposure to stresses above the Recommended Operating Conditions may affect device reliability.

NOTE: This device is ESD sensitive. Use standard ESD precautions when handling.

Table 4. THERMAL CHARACTERISTICS (Note 1)

| Package Type | θ _{JA} | θ _{JC} | Unit |
|--|-----------------|-----------------|------|
| 8-lead MSOP and 8-lead SOIC NB Packages (ADT7484A) | 206 | 44 | °C/W |
| 10-lead MSOP (ADT7486A) | 206 | 44 | °C/W |

1. θ_{JA} is specified for the worst-case conditions, that is, a device soldered in a circuit board for surface-mount packages.

ADT7484A/ADT7486A

Table 5. ELECTRICAL CHARACTERISTICS
 $(T_A = T_{MIN}$ to T_{MAX} , $V_{CC} = V_{MIN}$ to V_{MAX} , unless otherwise noted)

| Parameter | Conditions | Min | Typ | Max | Unit |
|---|--|------|-----------------|--------------------------------------|--------------------|
| Power Supply | | | | | |
| Supply Voltage, V_{CC} | | 3.0 | 3.3 | 3.6 | V |
| Undervoltage Lockout Threshold | | – | 2.8 | – | V |
| Average Operating Supply Current, I_{DD} | Continuous Conversions | – | 3.8 | 5.0 | mA |
| Temperature-to-Digital Converter | | | | | |
| Local Sensor Accuracy | $40^{\circ}\text{C} \leq T_A \leq 70^{\circ}\text{C}$, $V_{CC} = 3.3\text{ V} \pm 5\%$ $-40^{\circ}\text{C} \leq T_A \leq +100^{\circ}\text{C}$ | – | +1.0 | ± 1.75 ± 4.0 | $^{\circ}\text{C}$ |
| Remote Sensor Accuracy | $-40^{\circ}\text{C} \leq T_D \leq +125^{\circ}\text{C}$; $T_A = 25^{\circ}\text{C}$; $V_{CC} = 3.3\text{ V}$ $-40^{\circ}\text{C} \leq T_D \leq +125^{\circ}\text{C}$; $-40 \leq T_A \leq 70^{\circ}\text{C}$, $V_{CC} = 3.3\text{ V} \pm 5\%$ $-40^{\circ}\text{C} \leq T_D \leq +125^{\circ}\text{C}$; $-40 \leq T_A \leq +100^{\circ}\text{C}$ | – | – +1.0 | ± 1.0 ± 1.75 ± 4.0 | $^{\circ}\text{C}$ |
| Remote Sensor Source Current | Low Level Mid Level High Level | – | 12 80 204 | – | μA |
| Resolution | | – | 0.016 | – | $^{\circ}\text{C}$ |
| Series Resistance Cancellation | The ADT7484A and ADT7486A Cancel 1.5 k Ω in Series with the Remote Thermal Diode | – | 1.5 | – | k Ω |
| Conversion Time (Local Temperature) (Note 1) | Averaging Enabled | – | 12 | 12 | ms |
| Conversion Time (Remote Temperature) (Note 1) | Averaging Enabled | – | – | 38 | ms |
| Total Monitoring Cycle Time (Note 1) | Averaging Enabled | – | – | 50 | ms |
| Digital Inputs (ADD0, ADD1) | | | | | |
| Input High Voltage, V_{IH} | | 2.3 | – | – | V |
| Input Low Voltage, V_{IL} | | – | – | 0.8 | V |
| Input High Current, I_{IH} | $V_{IN} = V_{CC}$ | –1.0 | – | – | μA |
| Input Low Current, I_{IL} | $V_{IN} = 0$ | – | – | 1.0 | μA |
| Pin Capacitance | | – | 5.0 | – | pF |
| Digital I/O (SST Pin) | | | | | |
| Input High Voltage, V_{IH} | | 1.1 | – | – | V |
| Input Low Voltage, V_{IL} | | – | – | 0.4 | V |
| Hysteresis (Note 1) | Between Input Switching Levels | – | 150 | – | mV |
| Output High Voltage, V_{OH} | $I_{SOURCE} = 6\text{ mA}$ (maximum) | 1.1 | – | 1.9 | V |
| High Impedance State Leakage, I_{LEAK} | Device Powered On SST Bus; $V_{SST} = 1.1\text{ V}$, $V_{CC} = 3.3\text{ V}$ | – | – | ± 1.0 | μA |
| High Impedance State Leakage, I_{LEAK} | Device Unpowered On SST Bus; $V_{SST} = 1.1\text{ V}$, $V_{CC} = 0\text{ V}$ | – | – | ± 10 | μA |
| Signal Noise Immunity, V_{NOISE} | Noise Glitches from 10 MHz to 100 MHz; Width Up to 50 ns | 300 | – | – | mV p-p |

ADT7484A/ADT7486A

Table 5. ELECTRICAL CHARACTERISTICS (continued)
 (T_A = T_{MIN} to T_{MAX}, V_{CC} = V_{MIN} to V_{MAX}, unless otherwise noted)

| Parameter | Conditions | Min | Typ | Max | Unit |
|---|--|-------------------------|-------------------------|--------------------------|------|
| SST Timing | | | | | |
| Bitwise Period, t _{BIT} | | 0.495 | – | 500 | μs |
| High Level Time for Logic 1, t _{H1} (Note 2) | t _{BIT} Defined in Speed Negotiation | 0.6 × t _{BIT} | 0.75 × t _{BIT} | 0.8 × t _{BIT} | μs |
| High Level Time for Logic 0, t _{H0} (Note 2) | | 0.2 × t _{BIT} | 0.25 × t _{BIT} | 0.4 × t _{BIT} | μs |
| Time to Assert SST High for Logic 1, t _{SU, HIGH} | | – | – | 0.2 × t _{BIT} | μs |
| Hold Time, t _{HOLD} (Note 3) | See SST Specification Rev 1.0 | – | – | 0.5 × t _{BIT-M} | μs |
| Stop Time, t _{STOP} | Device Responding to a Constant Low Level Driven by Originator | 1.25 × t _{BIT} | 2 × t _{BIT} | 2 × t _{BIT} | μs |
| Time to Respond After a Reset, t _{RESET} | | – | – | 0.4 | ms |
| Response Time to Speed Negotiation After Powerup | Time after Powerup when Device Can Participate in Speed Negotiation | – | 500 | – | μs |

1. Guaranteed by design, not production tested.
2. Minimum and maximum bit times are relative to t_{BIT} defined in the timing negotiation pulse.
3. Devices compatible with hold time specification as driven by SST originator.

TYPICAL PERFORMANCE CHARACTERISTICS

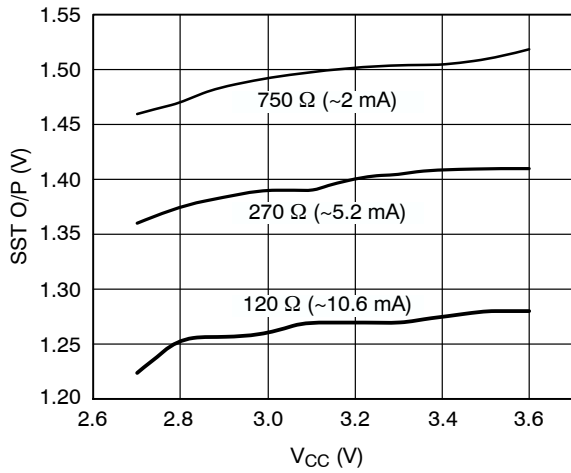


Figure 2. SST O/P Level vs. Supply Voltage

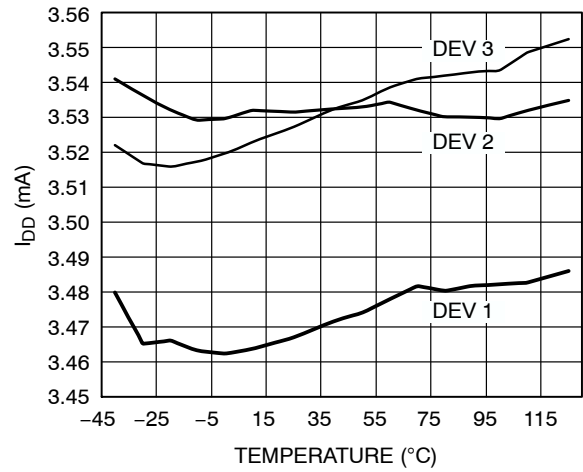


Figure 3. Supply Current vs. Temperature

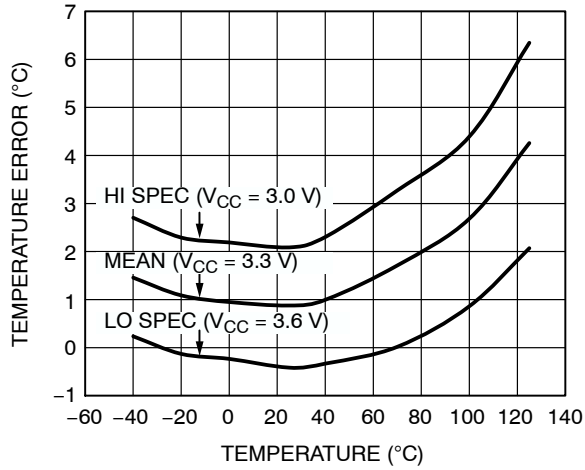


Figure 4. Local Temperature Error

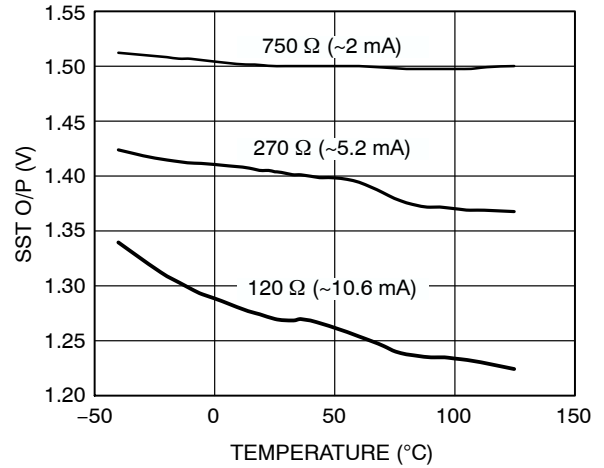


Figure 5. SST O/P Level vs. Temperature

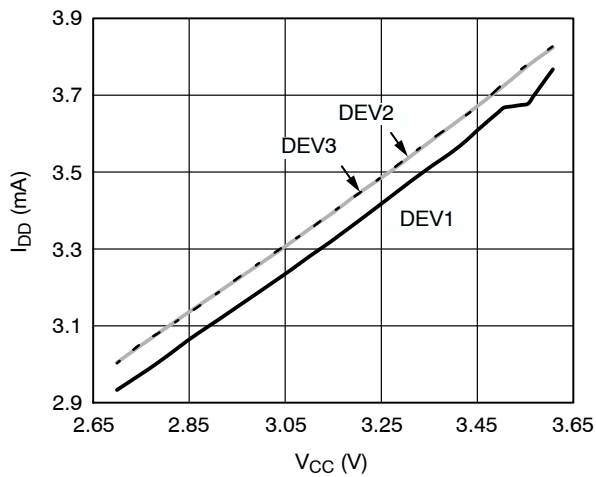


Figure 6. Supply Current vs. Voltage

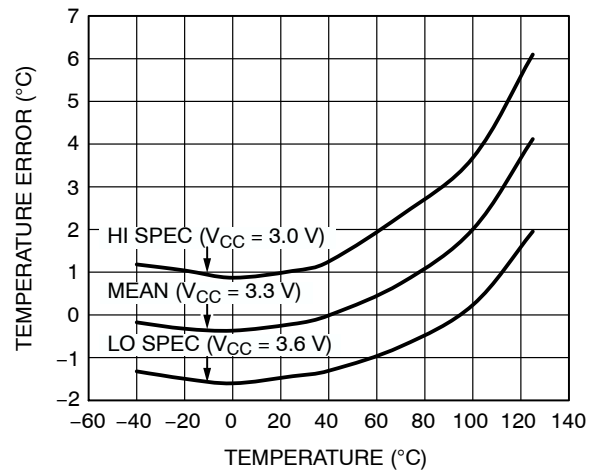


Figure 7. Remote Temperature Error

TYPICAL PERFORMANCE CHARACTERISTICS (Cont'd)

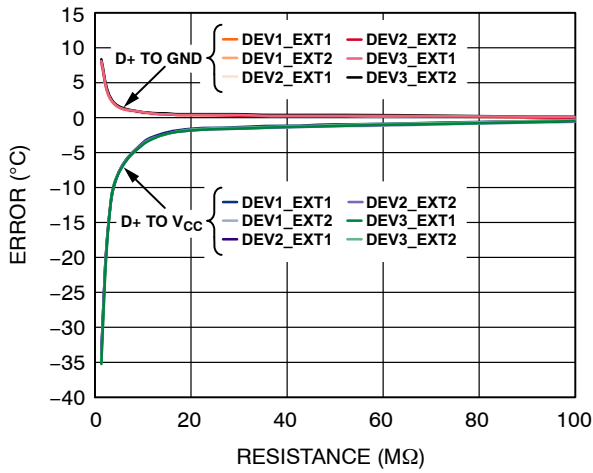


Figure 8. Remote Temperature Error vs. PCB Resistance

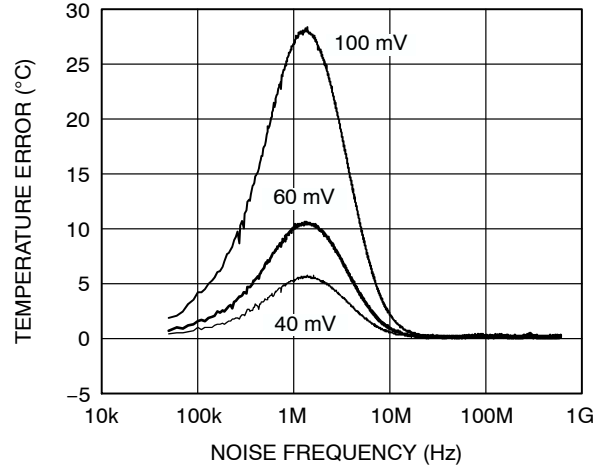


Figure 9. Temperature Error vs. Common-Mode Noise Frequency

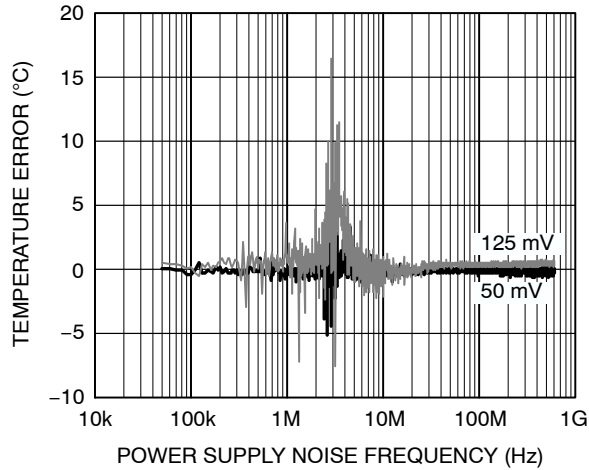


Figure 10. Local Temperature Error vs. Power Supply Noise

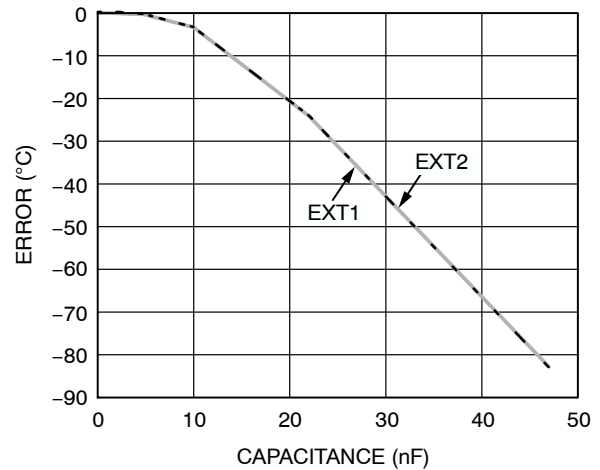


Figure 11. Remote Temperature Error vs. Capacitance Between D1+ and D1-

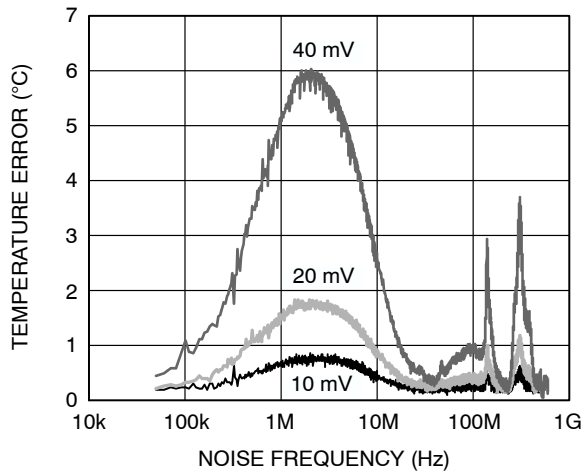


Figure 12. Temperature Error vs. Differential-Mode Noise Frequency

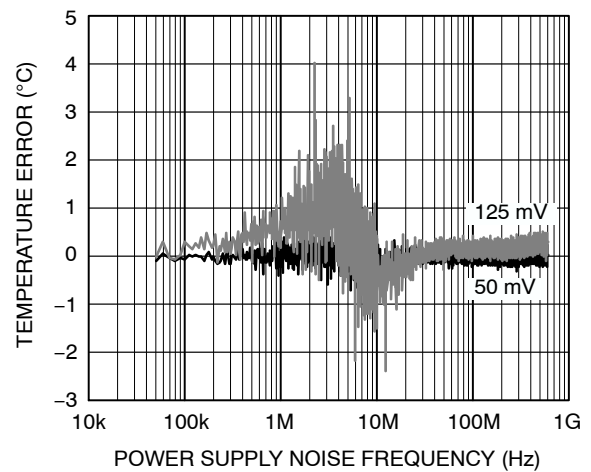


Figure 13. Remote Temperature Error vs. Power Supply Noise

ADT7484A/ADT7486A

Product Description

The ADT7484A is a single remote temperature sensor, and the ADT7486A is a dual temperature sensor for use in PC applications. The ADT7484A/ADT7486A accurately measure local and remote temperature and communicate over a one-wire Simple Serial Transport (SST) bus interface.

SST Interface

Simple Serial Transport (SST) is a one-wire serial bus and a communications protocol between components intended for use in personal computers, personal handheld devices, or other industrial sensor nets. The ADT7484A/ADT7486A support SST specification Rev 1.

SST is a licensable bus technology from Analog Devices, Inc., and Intel Corporation. To inquire about obtaining a copy of the Simple Serial Transport Specification or an SST technology license, please email Analog Devices, at sss_licensing@analog.com or write to Analog Devices, 3550 North First Street, San Jose, CA 95134, Attention: SST Licensing, M/S B7-24.

ADT7484A/ADT7486A Client Address

The client address for the ADT7484A/ADT7486A is selected using the address pin. The address pin is connected to a float detection circuit, which allows the ADT7484A/ADT7486A to distinguish between three input states: high,

low (GND), and floating. The address range for fixed address, discoverable devices is 0x48 to 0x50.

Table 6. ADT7484A/ADT7486A SELECTABLE ADDRESSES

| ADD1 | ADD0 | Address Selected |
|-----------|-----------|------------------|
| Low (GND) | Low (GND) | 0x48 |
| Low (GND) | Float | 0x49 |
| Low (GND) | High | 0x4A |
| Float | Low (GND) | 0x4B |
| Float | Float | 0x4C |
| Float | High | 0x4D |
| High | Low (GND) | 0x4E |
| High | Float | 0x4F |
| High | High | 0x50 |

Command Summary

Table 7 summarizes the commands supported by the ADT7484A/ADT7486A devices when directed at the target address selected by the fixed address pins. It contains the command name, command code (CC), write data length (WL), read data length (RL), and a brief description.

Table 7. COMMAND CODE SUMMARY

| Command | Command Code, CC | Write Length, WL | Read Length, RL | Description |
|-----------------|------------------|------------------|------------------------------------|---|
| Ping() | 0x00 | 0x00 | 0x00 | Shows a nonzero FCS over the header if present. |
| GetIntTemp() | 0x00 | 0x01 | 0x02 | Shows the temperature of the device's internal thermal diode. |
| GetExt1Temp() | 0x01 | 0x01 | 0x02 | Shows the temperature of External Thermal Diode 1. |
| GetExt2Temp() | 0x02 | 0x01 | 0x02 | Shows the temperature of External Thermal Diode 2 (ADT7486A only). |
| GetAllTemps() | 0x00 | 0x01 | 0x04 (ADT7484A) 0x06 (ADT7486A) | Shows a 4- or 6-byte block of data (ADT7484A: GetIntTemp, GetExt1Temp; ADT7486A: GetIntTemp, GetExt1Temp, GetExt2Temp). |
| SetExt1Offset() | 0xe0 | 0x03 | 0x00 | Sets the offset used to correct errors in External Diode 1. |
| GetExt1Offset() | 0xe0 | 0x01 | 0x02 | Shows the offset that the device is using to correct errors in External Diode 1. |
| SetExt2Offset() | 0xe1 | 0x03 | 0x00 | Sets the offset used to correct errors in External Diode 2 (ADT7486A only). |
| GetExt2Offset() | 0xe1 | 0x01 | 0x02 | Shows the offset that the device is using to correct errors in External Diode 2 (ADT7486A only). |
| ResetDevice() | 0xf6 | 0x01 | 0x00 | Functional reset. The ADT7484A/ADT7486A also respond to this command when directed to the Target Address 0x00. |
| GetDIB() | 0xf7 0xf7 | 0x01 0x01 | 0x08 0x10 | Shows information used by SW to identify the device's capabilities. Can be in 8- or 16-byte format. |

Command Code Details

ADT7484A/ADT7486A Device Identifier Block

The GetDIB() command retrieves the device identifier block (DIB), which provides information to identify the capabilities of the ADP7484A/ADT7486A. The data returned can be in 8- or 16-byte format. The full 16-bytes of DIB is detailed in Table 8. The 8-byte format involves the first eight bytes described in this table. Byte-sized data is returned in the respective fields as it appears in Table 8. Word-sized data, including vendor ID, device ID, and data values use little endian format, that is, the LSB is returned first, followed by the MSB.

Table 8. DIB BYTE DETAILS

| Byte | Name | Value | Description |
|------|-----------------------|------------------|--|
| 0 | Device Capabilities | 0xc0 | Fixed Address Device |
| 1 | Version/ Revision | 0x10 | Meets Version 1 of the SST Specification |
| 2, 3 | Vendor ID | 00x11d4 | Contains Company ID Number in Little Endian Format |
| 4, 5 | Device ID | 0x7484 or 0x7486 | Contains Device ID Number in Little Endian Format |
| 6 | Device Interface | 0x01 | SST Device |
| 7 | Function Interface | 0x00 | Reserved |
| 8 | Reserved | 0x00 | Reserved |
| 9 | Reserved | 0x00 | Reserved |
| 10 | Reserved | 0x00 | Reserved |
| 11 | Reserved | 0x00 | Reserved |
| 12 | Reserved | 0x00 | Reserved |
| 13 | Reserved | 0x00 | Reserved |
| 14 | Revision ID | 0x05 | Contains Revision ID |
| 15 | Client Device Address | 0x48 to 0x50 | Dependent on the State of the Address Pins |

Ping()

The Ping() command verifies if a device is responding at a particular address. The ADT7484A/ADT7486A show a valid nonzero FCS in response to the Ping() command when correctly addressed.

Table 9. PING() COMMAND

| Target Address | Write Length | Read Length | FCS |
|----------------|--------------|-------------|-----|
| Device Address | 0x00 | 0x00 | |

ResetDevice()

This command resets the register map and conversion controller. The reset command can be global or directed at the client address of the ADT7484A/ADT7486A.

Table 10. RESET DEVICE() COMMAND

| Target Address | Write Length | Read Length | Reset Command | FCS |
|----------------|--------------|-------------|---------------|-----|
| Device Address | 0x01 | 0x00 | 0xf6 | |

GetIntTemp()

The ADT7484A/ADT7486A show the local temperature of the device in response to the GetIntTemp() command. The data has a little endian, 16-bit, twos complement format.

GetExtTemp()

Prompted by the GetExtTemp() command, the ADT7484A/ADT7486A show the temperature of the remote diode in little endian, 16-bit, twos complement format. The ADT7484A/ADT7486A show 0x8000 in response to this command if the external diode is an open or short circuit.

GetAllTemps()

The ADT7484A shows the local and remote temperatures in a 4-byte block of data (internal temperature first, followed by External Temperature 1) in response to a GetAllTemps() command. The ADT7486A shows the local and remote temperatures in a 6-byte block of data (internal temperature first, followed by External Temperature 1 and External Temperature 2) in response to this command.

SetExtOffset()

This command sets the offset that the ADT7484A/ADT7486A will use to correct errors in the external diode. The offset is set in little endian, 16-bit, twos complement format. The maximum offset is $\pm 128^{\circ}\text{C}$ with $+0.25^{\circ}\text{C}$ resolution.

GetExtOffset()

This command causes the ADT7484A/ADT7486A to show the offset that they are using to correct errors in the external diode. The offset value is returned in little endian format, that is, LSB before MSB.

ADT7484A/ADT7486A Response to Unsupported Commands

A full list of command codes supported by the ADT7484A/ADT7486A is given in Table 7. The offset registers (Command Codes 0xe0 and 0xe1) are the only registers that the user can write to. The other defined registers are read only. Writing to Register Addresses 0x03 to 0xdf shows a valid FCS, but no action is taken by the ADT7484A/ADT7486A. The ADT7484A/ADT7486A show an invalid FCS if the user attempts to write to the devices between Command Codes 0xe2 to 0xee and no data is written to the device. These registers are reserved for the manufacturer's use only, and no data can be written to the device via these addresses.

Temperature Measurement

The ADT7484A/ADT7486A each have two dedicated temperature measurement channels: one for measuring the temperature of an on-chip band gap temperature sensor, and one for measuring the temperature of a remote diode, usually located in the CPU or GPU.

The ADT7484A monitors one local and one remote temperature channel, whereas the ADT7486A monitors one local and two remote temperature channels. Monitoring of each of the channels is done in a round-robin sequence. The monitoring sequence is in the order shown in Table 11.

Table 11. TEMPERATURE MONITORING SEQUENCE

| Channel Number | Measurement | Conversion Time (ms) |
|----------------|--------------------------------------|----------------------|
| 0 | Local Temperature | 12 |
| 1 | Remote Temperature 1 | 38 |
| 2 | Remote Temperature 2 (ADT7486A Only) | 38 |

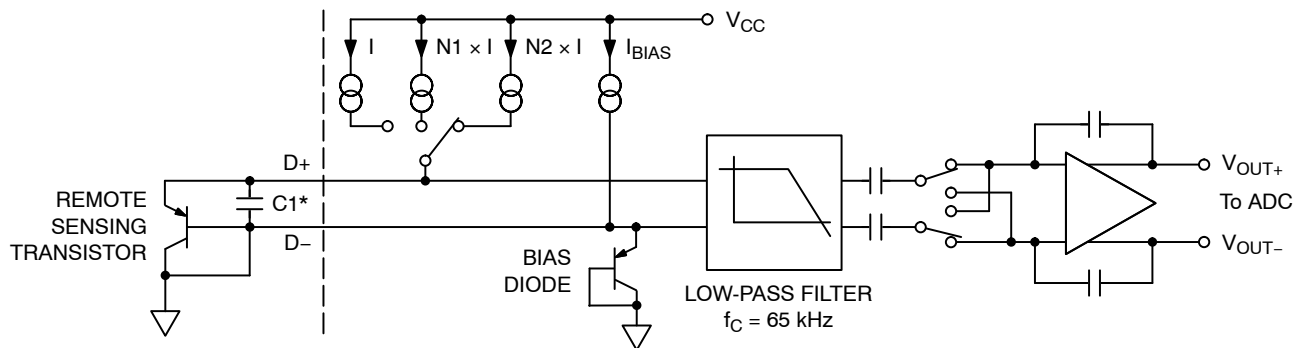
Temperature Measurement Method

A simple method for measuring temperature is to exploit the negative temperature coefficient of a diode by measuring the base-emitter voltage (V_{BE}) of a transistor operated at constant current. Unfortunately, this technique requires calibration to null the effect of the absolute value of V_{BE} , which varies from device to device.

The technique used in the ADT7484A/ADT7486A measures the change in V_{BE} when the device is operated at three different currents.

Figure 14 shows the input signal conditioning used to measure the output of a remote temperature sensor. This figure shows the remote sensor as a substrate transistor, which is provided for temperature monitoring on some microprocessors, but it could also be a discrete transistor. If a discrete transistor is used, the collector is not grounded and should be linked to the base. To prevent ground noise from interfering with the measurement, the more negative terminal of the sensor is not referenced to ground, but is biased above ground by an internal diode at the D1- input. If the sensor is operating in an extremely noisy environment, C1 can be added as a noise filter. Its value should not exceed 1,000 pF.

To measure ΔV_{BE} , the operating current through the sensor is switched between three related currents. Figure 14 shows $N1 \times I$ and $N2 \times I$ as different multiples of the current I . The currents through the temperature diode are switched between I and $N1 \times I$, giving ΔV_{BE1} , and then between I and $N2 \times I$, giving ΔV_{BE2} . The temperature can then be calculated using the two ΔV_{BE} measurements. This method can also cancel the effect of series resistance on the temperature measurement. The resulting ΔV_{BE} waveforms are passed through a 65 kHz low-pass filter to remove noise and then through a chopper-stabilized amplifier to amplify and rectify the waveform, producing a dc voltage proportional to ΔV_{BE} . The ADC digitizes this voltage, and a temperature measurement is produced. To reduce the effects of noise, digital filtering is performed by averaging the results of 16 measurement cycles for low conversion rates. Signal conditioning and measurement of the internal temperature sensor is performed in the same manner.



*CAPACITOR C1 IS OPTIONAL. IT SHOULD ONLY BE USED IN NOISY ENVIRONMENTS.

Figure 14. Signal Conditioning for Remote Diode Temperature Sensors

Reading Temperature Measurements

The temperature measurement command codes are detailed in Table 12. The temperature data returned is two bytes in little endian format, that is, LSB before MSB. All temperatures can be read together by using Command Code 0x00 with a read length of 0x04. The command codes and returned data are described in Table 12.

Table 12. TEMPERATURE CHANNEL COMMAND CODES

| Temp Channel | Command Code | Returned Data |
|--------------|--------------|--|
| Internal | 0x00 | LSB, MSB |
| External 1 | 0x01 | LSB, MSB |
| External 2 | 0x02 | LSB, MSB |
| All Temps | 0x00 | Internal LSB, Internal MSB; External 1 LSB, External 1 MSB; External 2 LSB, External 2 MSB |

SST Temperature Sensor Data Format

The data for temperature is structured to allow values in the range of $\pm 512^{\circ}\text{C}$ to be reported. Thus, the temperature sensor format uses a twos complement, 16-bit binary value to represent values in this range. This format allows temperatures to be represented with approximately a 0.016°C resolution.

Table 13. SST TEMPERATURE DATA FORMAT

| Temperature ($^{\circ}\text{C}$) | Twos Complement | |
|------------------------------------|-----------------|-----------|
| | MSB | LSB |
| -125 | 1110 0000 | 1100 0000 |
| -80 | 1110 1100 | 0000 0000 |
| -40 | 1111 0110 | 0000 0000 |
| -20 | 1111 1011 | 0011 1110 |
| -5 | 1111 1110 | 1100 0000 |
| -1 | 1111 1111 | 1100 0000 |
| 0 | 0000 0000 | 0000 0000 |
| +1 | 0000 0000 | 0100 0000 |
| +5 | 0000 0001 | 0100 0000 |
| +20 | 0000 0100 | 1100 0010 |
| +40 | 0000 1010 | 0000 0000 |
| +80 | 0001 0100 | 0000 0000 |
| +125 | 0001 1111 | 0100 0000 |

Using Discrete Transistors

If a discrete transistor is used, the collector is not grounded and should be linked to the base. If a PNP transistor is used, the base is connected to the D1- input and the emitter is connected to the D1+ input. If an NPN transistor is used, the emitter is connected to the D1- input and the base is connected to the D1+ input. Figure 17 shows how to connect the ADT7484A/ADT7486A to an NPN or PNP transistor for temperature measurement. To prevent ground noise from interfering with the measurement, the more negative

terminal of the sensor is not referenced to ground, but is biased above ground by an internal diode at the D1- input.

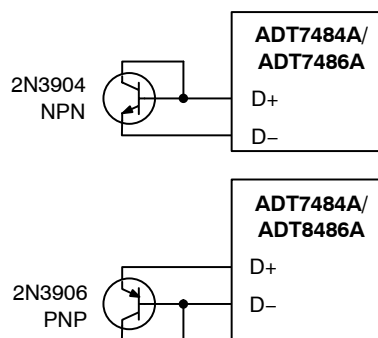


Figure 15. Connections for NPN and PNP Transistors

The ADT7484A/ADT7486A show an external temperature value of 0x8000 if the external diode is an open or short circuit.

Layout Considerations

Digital boards can be electrically noisy environments. Take the following precautions to protect the analog inputs from noise, particularly when measuring the very small voltages from a remote diode sensor:

1. Place the device as close as possible to the remote sensing diode. Provided that the worst noise sources, such as clock generators, data/address buses, and CRTs, are avoided, this distance can be four to eight inches.
2. Route the D1+ and D1- tracks close together in parallel with grounded guard tracks on each side. Provide a ground plane under the tracks if possible.
3. Use wide tracks to minimize inductance and reduce noise pickup. A 5 mil track minimum width and spacing is recommended.



Figure 16. Arrangement of Signal Tracks

4. Try to minimize the number of copper/solder joints, which can cause thermocouple effects. Where copper/solder joints are used, make sure that they are in both the D1+ and D1- paths and are at the same temperature.
5. Thermocouple effects should not be a major problem because 1°C corresponds to about $240\ \mu\text{V}$, and thermocouple voltages are about $3\ \mu\text{V}/^{\circ}\text{C}$ of the temperature difference. Unless

ADT7484A/ADT7486A

there are two thermocouples with a big temperature differential between them, thermocouple voltages should be much less than 200 mV.

6. Place a 0.1 μ F bypass capacitor close to the device.
7. If the distance to the remote sensor is more than eight inches, the use of a twisted-pair cable is recommended. This works for distances of about 6 feet to 12 feet.
8. For very long distances (up to 100 feet), use shielded twisted-pair cables, such as Belden #8451 microphone cables. Connect the twisted-pair cable to D1+ and D1- and the shield to GND, close to the device. Leave the remote end of the shield unconnected to avoid ground loops.

Because the measurement technique uses switched current sources, excessive cable and/or filter capacitance can affect the measurement. When using long cables, the filter capacitor can be reduced or removed. Cable resistance can also introduce errors. A 1 Ω series resistance introduces about 0.5°C error.

Temperature Offset

As CPUs run faster, it is more difficult to avoid high frequency clocks when running the D1+ and D1- tracks around a system board. Even when the recommended layout guidelines are followed, there may still be temperature errors, attributed to noise being coupled on to the D1+ and D1- lines. High frequency noise generally has the effect of producing temperature measurements that are consistently too high by a specific amount. The ADT7484A/ADT7486A have a temperature offset command code of 0xe0 through which a desired offset can be set. By doing a

one-time calibration of the system, the offset caused by system board noise can be calculated and nulled by specifying it in the ADT7484A/ADT7486A. The offset is automatically added to every temperature measurement. The maximum offset is $\pm 128^\circ\text{C}$ with 0.25°C resolution. The offset format is the same as the temperature data format; 16-bit, two's complement notation, as shown in Table 13. The offset should be programmed in little endian format, that is, LSB before MSB. The offset value is also returned in little endian format when read.

Application Schematics

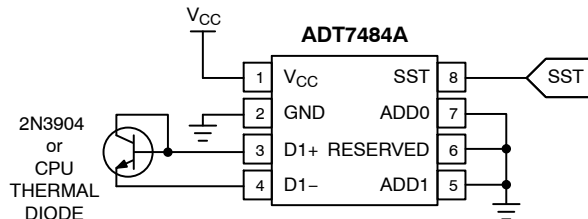


Figure 17. ADT7484A Typical Application Schematic

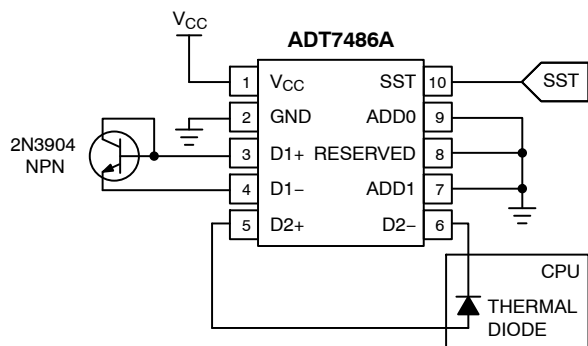


Figure 18. ADT7486A Typical Application Schematic

Table 14. ORDERING INFORMATION

| Device Order Number* | Branding | Package Option | Package Type | Shipping† |
|----------------------|----------|----------------|--------------|-------------------|
| ADT7484AARZ-REEL | - | R-8 | SOIC-8 NB | 2,500 Tape & Reel |
| ADT7484AARMZ-RL | T20 | RM-8 | 8-lead MSOP | 3,000 Tape & Reel |
| ADT7486AARMZ-RL | T22 | RM-10 | 10-lead MSOP | 3,000 Tape & Reel |

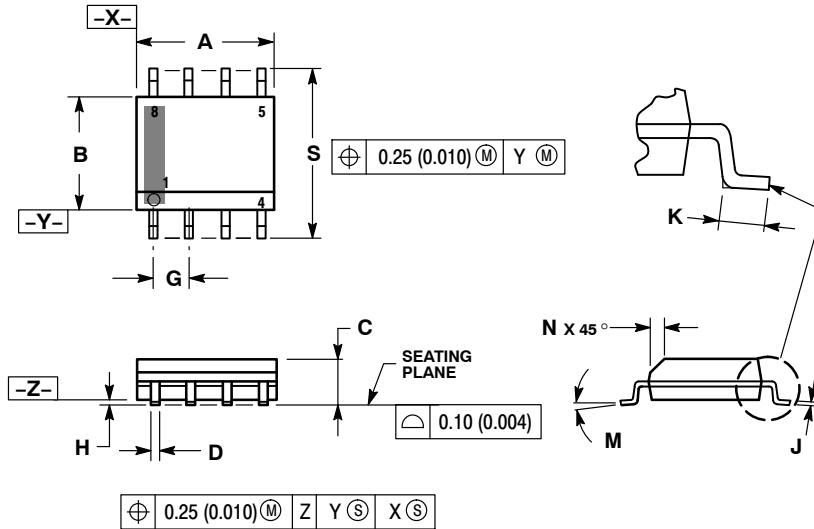
†For information on tape and reel specifications, including part orientation and tape sizes, please refer to our Tape and Reel Packaging Specifications Brochure, BRD8011/D.

*These are Pb-Free packages.

ADT7484A/ADT7486A

PACKAGE DIMENSIONS

SOIC-8 NB
CASE 751-07
ISSUE AK

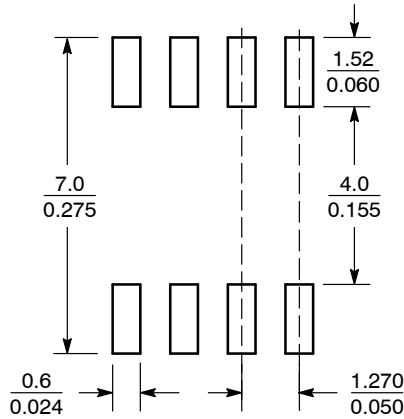


NOTES:

1. DIMENSIONING AND TOLERANCING PER ANSI Y14.5M, 1982.
2. CONTROLLING DIMENSION: MILLIMETER.
3. DIMENSION A AND B DO NOT INCLUDE MOLD PROTRUSION.
4. MAXIMUM MOLD PROTRUSION 0.15 (0.006) PER SIDE.
5. DIMENSION D DOES NOT INCLUDE DAMBAR PROTRUSION. ALLOWABLE DAMBAR PROTRUSION SHALL BE 0.127 (0.005) TOTAL IN EXCESS OF THE D DIMENSION AT MAXIMUM MATERIAL CONDITION.
6. 751-01 THRU 751-06 ARE OBSOLETE. NEW STANDARD IS 751-07.

| DIM | MILLIMETERS | | INCHES | |
|-----|-------------|------|-----------|-------|
| | MIN | MAX | MIN | MAX |
| A | 4.80 | 5.00 | 0.189 | 0.197 |
| B | 3.80 | 4.00 | 0.150 | 0.157 |
| C | 1.35 | 1.75 | 0.053 | 0.069 |
| D | 0.33 | 0.51 | 0.013 | 0.020 |
| G | 1.27 BSC | | 0.050 BSC | |
| H | 0.10 | 0.25 | 0.004 | 0.010 |
| J | 0.19 | 0.25 | 0.007 | 0.010 |
| K | 0.40 | 1.27 | 0.016 | 0.050 |
| M | 0° | 8° | 0° | 8° |
| N | 0.25 | 0.50 | 0.010 | 0.020 |
| S | 5.80 | 6.20 | 0.228 | 0.244 |

SOLDERING FOOTPRINT*



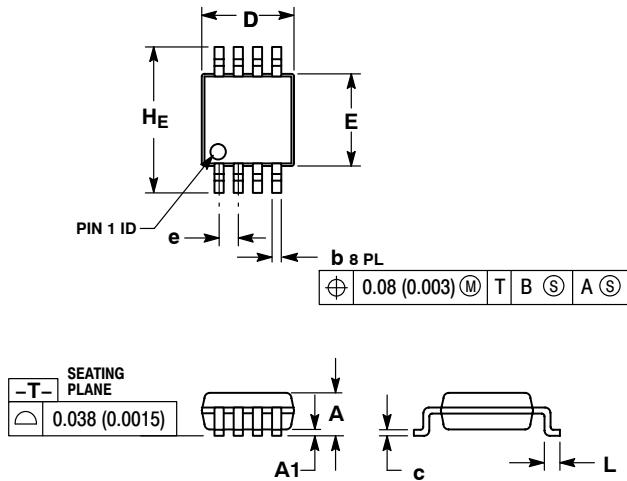
SCALE 6:1 ($\frac{\text{mm}}{\text{inches}}$)

*For additional information on our Pb-Free strategy and soldering details, please download the ON Semiconductor Soldering and Mounting Techniques Reference Manual, SOLDERRM/D.

ADT7484A/ADT7486A

PACKAGE DIMENSIONS

MSOP8
CASE 846AB-01
ISSUE O

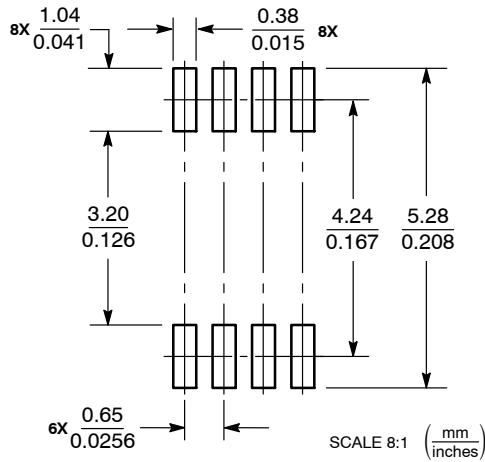


NOTES:

1. DIMENSIONING AND TOLERANCING PER ANSI Y14.5M, 1982.
2. CONTROLLING DIMENSION: MILLIMETER.
3. DIMENSION A DOES NOT INCLUDE MOLD FLASH, PROTRUSIONS OR GATE BURRS. MOLD FLASH, PROTRUSIONS OR GATE BURRS SHALL NOT EXCEED 0.15 (0.006) PER SIDE.
4. DIMENSION B DOES NOT INCLUDE INTERLEAD FLASH OR PROTRUSION. INTERLEAD FLASH OR PROTRUSION SHALL NOT EXCEED 0.25 (0.010) PER SIDE.
5. 846A-01 OBSOLETE, NEW STANDARD 846A-02.

| DIM | MILLIMETERS | | | INCHES | | |
|-----|-------------|------|------|-----------|-------|-------|
| | MIN | NOM | MAX | MIN | NOM | MAX |
| A | -- | -- | 1.10 | -- | -- | 0.043 |
| A1 | 0.05 | 0.08 | 0.15 | 0.002 | 0.003 | 0.006 |
| b | 0.25 | 0.33 | 0.40 | 0.010 | 0.013 | 0.016 |
| c | 0.13 | 0.18 | 0.23 | 0.005 | 0.007 | 0.009 |
| D | 2.90 | 3.00 | 3.10 | 0.114 | 0.118 | 0.122 |
| E | 2.90 | 3.00 | 3.10 | 0.114 | 0.118 | 0.122 |
| e | 0.65 BSC | | | 0.026 BSC | | |
| L | 0.40 | 0.55 | 0.70 | 0.016 | 0.021 | 0.028 |
| HE | 4.75 | 4.90 | 5.05 | 0.187 | 0.193 | 0.199 |

SOLDERING FOOTPRINT*

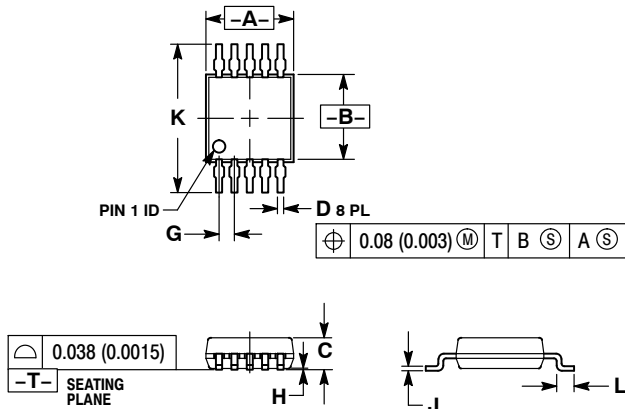


*For additional information on our Pb-Free strategy and soldering details, please download the ON Semiconductor Soldering and Mounting Techniques Reference Manual, SOLDERRM/D.

ADT7484A/ADT7486A

PACKAGE DIMENSIONS

MSOP10
CASE 846AC-01
ISSUE O

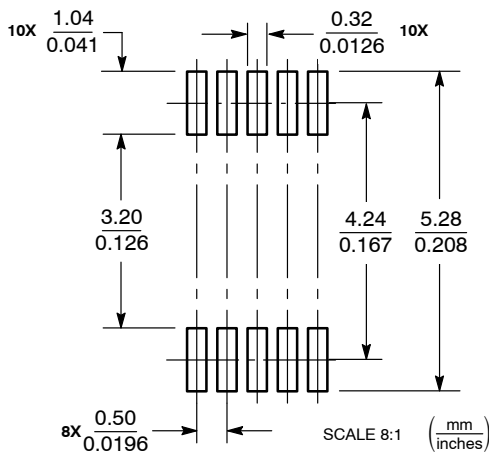


NOTES:

1. DIMENSIONING AND TOLERANCING PER ANSI Y14.5M, 1982.
2. CONTROLLING DIMENSION: MILLIMETER.
3. DIMENSION "A" DOES NOT INCLUDE MOLD FLASH, PROTRUSIONS OR GATE BURRS. MOLD FLASH, PROTRUSIONS OR GATE BURRS SHALL NOT EXCEED 0.15 (0.006) PER SIDE.
4. DIMENSION "B" DOES NOT INCLUDE INTERLEAD FLASH OR PROTRUSION. INTERLEAD FLASH OR PROTRUSION SHALL NOT EXCEED 0.25 (0.010) PER SIDE.
5. 846B-01 OBSOLETE. NEW STANDARD 846B-02

| DIM | MILLIMETERS | | INCHES | |
|-----|-------------|------|-----------|-------|
| | MIN | MAX | MIN | MAX |
| A | 2.90 | 3.10 | 0.114 | 0.122 |
| B | 2.90 | 3.10 | 0.114 | 0.122 |
| C | 0.95 | 1.10 | 0.037 | 0.043 |
| D | 0.20 | 0.30 | 0.008 | 0.012 |
| G | 0.50 BSC | | 0.020 BSC | |
| H | 0.05 | 0.15 | 0.002 | 0.006 |
| J | 0.10 | 0.21 | 0.004 | 0.008 |
| K | 4.75 | 5.05 | 0.187 | 0.199 |
| L | 0.40 | 0.70 | 0.016 | 0.028 |

SOLDERING FOOTPRINT*



*For additional information on our Pb-Free strategy and soldering details, please download the ON Semiconductor Soldering and Mounting Techniques Reference Manual, SOLDERRM/D.

SST is a licensable bus technology from Analog Devices, Inc., and Intel Corporation.

ON Semiconductor and are registered trademarks of Semiconductor Components Industries, LLC (SCILLC). SCILLC owns the rights to a number of patents, trademarks, copyrights, trade secrets, and other intellectual property. A listing of SCILLC's product/patent coverage may be accessed at www.onsemi.com/site/pdf/Patent-Marking.pdf. SCILLC reserves the right to make changes without further notice to any products herein. SCILLC makes no warranty, representation or guarantee regarding the suitability of its products for any particular purpose, nor does SCILLC assume any liability arising out of the application or use of any product or circuit, and specifically disclaims any and all liability, including without limitation special, consequential or incidental damages. "Typical" parameters which may be provided in SCILLC data sheets and/or specifications can and do vary in different applications and actual performance may vary over time. All operating parameters, including "Typicals" must be validated for each customer application by customer's technical experts. SCILLC does not convey any license under its patent rights nor the rights of others. SCILLC products are not designed, intended, or authorized for use as components in systems intended for surgical implant into the body, or other applications intended to support or sustain life, or for any other application in which the failure of the SCILLC product could create a situation where personal injury or death may occur. Should Buyer purchase or use SCILLC products for any such unintended or unauthorized application, Buyer shall indemnify and hold SCILLC and its officers, employees, subsidiaries, affiliates, and distributors harmless against all claims, costs, damages, and expenses, and reasonable attorney fees arising out of, directly or indirectly, any claim of personal injury or death associated with such unintended or unauthorized use, even if such claim alleges that SCILLC was negligent regarding the design or manufacture of the part. SCILLC is an Equal Opportunity/Affirmative Action Employer. This literature is subject to all applicable copyright laws and is not for resale in any manner.

PUBLICATION ORDERING INFORMATION

LITERATURE FULFILLMENT:
Literature Distribution Center for ON Semiconductor
P.O. Box 5163, Denver, Colorado 80217 USA
Phone: 303-675-2175 or 800-344-3860 Toll Free USA/Canada
Fax: 303-675-2176 or 800-344-3867 Toll Free USA/Canada
Email: orderlit@onsemi.com

N. American Technical Support: 800-282-9855 Toll Free
USA/Canada
Europe, Middle East and Africa Technical Support:
Phone: 421 33 790 2910
Japan Customer Focus Center
Phone: 81-3-5817-1050

ON Semiconductor Website: www.onsemi.com
Order Literature: <http://www.onsemi.com/orderlit>

For additional information, please contact your local Sales Representative