

N Male (Plug) Connector for LMR-400 Cable, Crimp/ Non-Solder Contact, Tri-Metal Plated Brass Body, Length 1.496 In

Type N male connector with crimp/non-solder contact attachment for Times' LMR-400, part number EZ-400-NMH-X, from Times Microwave offered by Fairview Microwave is in-stock and ships same day. This type N male connector operates up to a maximum frequency of 6 GHz and offers excellent VSWR of 1.25:1.

Times Microwave's type N male connector EZ-400-NMH-X datasheet specifications and outline drawing are shown in this PDF below. Our extensive offering of RF, microwave and millimeter wave connectors allows designers to configure and customize their signal connections however they like. From providing an I/O for a board design to creating a custom cable assembly configuration, Fairview Microwave has a connector solution to meet your needs. Fairview Microwave also has the expertise to build your custom cable assemblies for you and ship them same-day.



Configuration:

- N Male Connector
- 50 Ohms
- Straight Body Geometry
- LMR-400 Interface Type
- Crimp/Non-Solder Contact Attachment
- 20 mm Hex

Electrical Specifications

Description	Min	Typ	Max	Units
Frequency Range	DC		6	GHz
VSWR			1.25:1	
Insertion Loss			0.05	dB
Operating Voltage (AC)			1,500	Vrms
Inner Cond. DC Resistance			0.8	mOhms
Outer Cond. DC Resistance			0.4	mOhms
Insulation Resistance	5,000			MOhms

Features:

- Operating Frequency of 6 GHz Max.
- Excellent VSWR of 1.25:1
- Gold Plated Beryllium Bronze Contact
- 50 µin minimum contact plating

Mechanical Specifications

Size	
Length	1.496 in [38 mm]
Width/Dia.	0.5 in [12.70 mm]
Weight	0.095 lbs [43.09 g]
Mating Torque	221 in-lbs [24.97 Nm]

Material Specifications

Description	Material	Plating
Contact	Beryllium Bronze	Gold 50 µin minimum
Insulation	PTFE	
Body	Brass	Tri-Metal 100µ in. minimum
Coupling Nut	Brass	Tri-Metal 100µ in. minimum

Environmental Specifications

Temperature	
Operating Range	-55 to +155 deg C

Applications:

- General Purpose Test
- Custom Cable Assemblies

Fairview Microwave
301 Leora Ln., Suite 100
Lewisville, TX 75056
Tel: 1-800-715-4396 / (972) 649-6678
Fax: (972) 649-6689
www.fairviewmicrowave.com
sales@fairviewmicrowave.com

Shock
Vibration
Thermal Shock

US MIL-STD 202, Method 213, Cond. I
US MIL-STD 202, Method 204, Cond. B
MIL-STD 202, Meth. 107, Cond.B

Compliance Certifications (see [product page](#) for current document)

Plotted and Other Data

Notes:

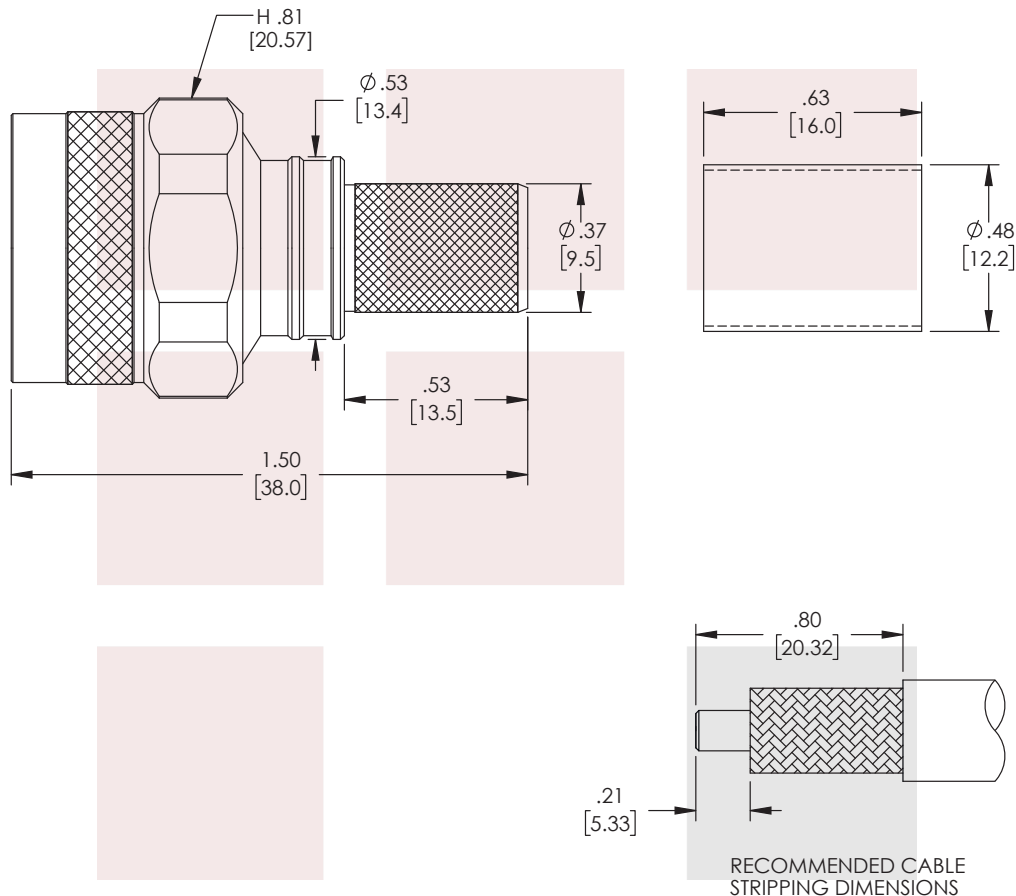
N Male (Plug) Connector for LMR-400 Cable, Crimp/Non-Solder Contact, Tri-Metal Plated Brass Body, Length 1.496 In from Fairview Microwave is in-stock and available to ship same-day. All of our RF/microwave products are available off-the-shelf from our ISO 9001:2008 certified facilities in Lewisville, Texas. Fairview Microwave is RF on-demand.

For additional information on this product, please click the following link: [N Male \(Plug\) Connector for LMR-400 Cable, Crimp/Non-Solder Contact, Tri-Metal Plated Brass Body, Length 1.496 In EZ-400-NMH-X](#)

URL: <https://www.fairviewmicrowave.com/n-male-lmr-400-connector-ez-400-nmh-x-p.aspx>

The information contained in this document is accurate to the best of our knowledge and representative of the part described herein. It may be necessary to make modifications to the part and/or the documentation of the part, in order to implement improvements. Fairview Microwave reserves the right to make such changes as required. Unless otherwise stated, all specifications are nominal. Fairview Microwave does not make any representation or warranty regarding the suitability of the part described herein for any particular purpose, and Fairview Microwave does not assume any liability arising out of the use of any part or documentation.

REVISIONS			
REV.	DESCRIPTION	DATE	APPROVED
A	INITIAL RELEASE	7/19/21	SRAUTUS



THESE COMMODITIES, TECHNOLOGY OR SOFTWARE WERE EXPORTED FROM THE UNITED STATES IN ACCORDANCE WITH THE EXPORT ADMINISTRATION REGULATIONS. DIVERSION CONTRARY TO U.S. LAW PROHIBITED.

TITLE

N Male (Plug) Connector for LMR-400 Cable, Crimp/
Non-Solder Contact, Tri-Metal Plated Brass Body,
Length 1.496 In

UNLESS OTHERWISE SPECIFIED LEADING DIMENSIONS ARE INCHES
DIMENSIONS IN [] ARE MILLIMETERS

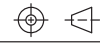
TOLERANCES:

.X = ±.2 [5.08] FRACTIONS ± 1/32
.XX = ±.02 [.51] ANGLES ± 1°
.XXX = ±.005 [.13]

CABLE LENGTH (L) TOLERANCES:

L ≤ 12 [305] = +1 [25] / -0
12 [305] < L ≤ 60 [1524] = +2 [51] / -0
60 [1524] < L ≤ 120 [3048] = +4 [102] / -0
120 [3048] < L ≤ 300 [7620] = +6 [152] / -0
300 [7620] < L = +5%L / -0

THIRD-ANGLE PROJECTION



THE INFORMATION AND DESIGN IN THIS DOCUMENT IS THE PROPERTY OF FAIRVIEW MICROWAVE CORPORATION. ALL RIGHTS RESERVED.

SHEET 1 OF 1

ALL DIMENSIONS SHOWN ARE FOR REFERENCE ONLY.

SCALE N/A

SIZE A	CAGE CODE 3FKR5	DRAWN BY DMAY	ITEM NO. EZ-400-NMH-X	REV A
-----------	--------------------	------------------	--------------------------	----------

T-Rev.D