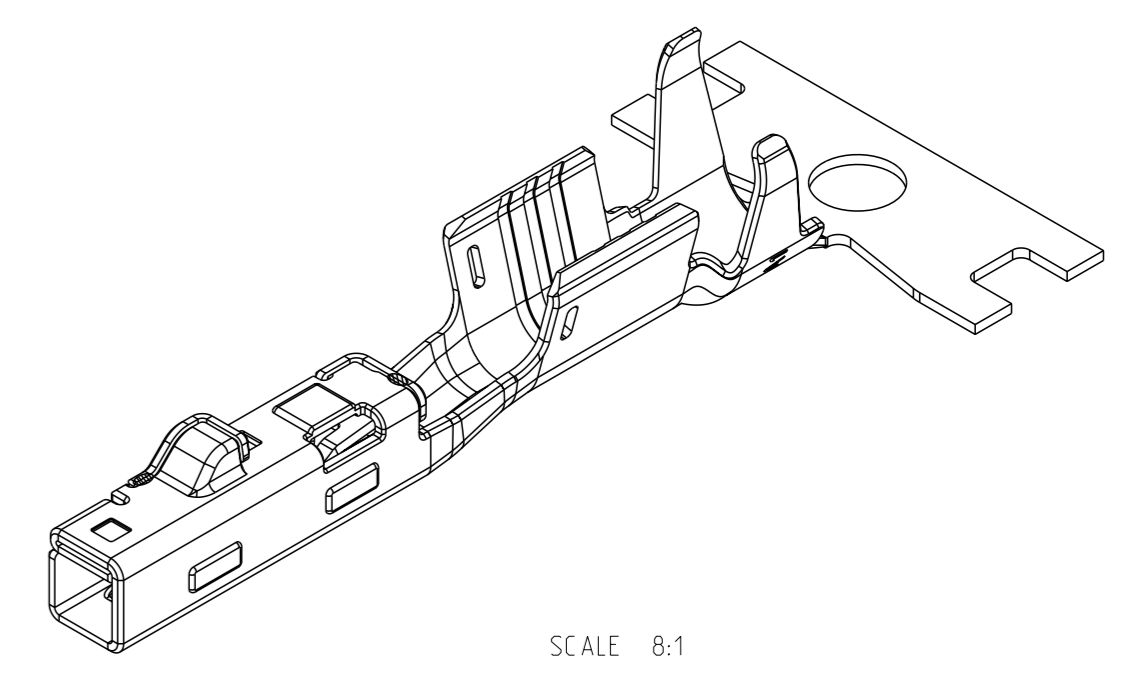
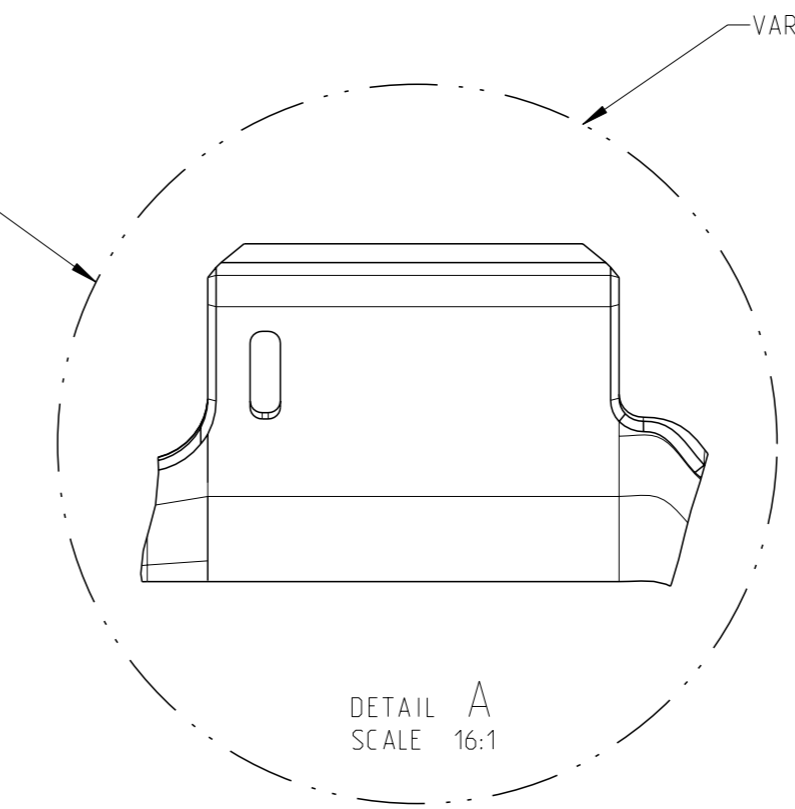
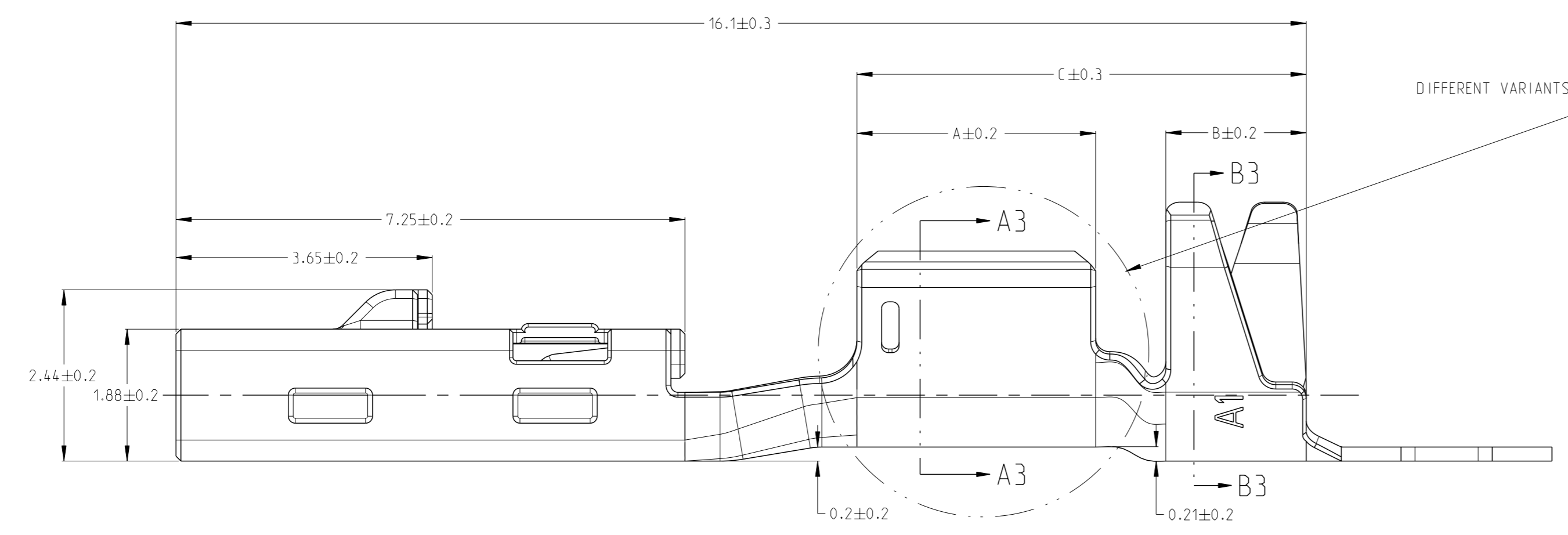
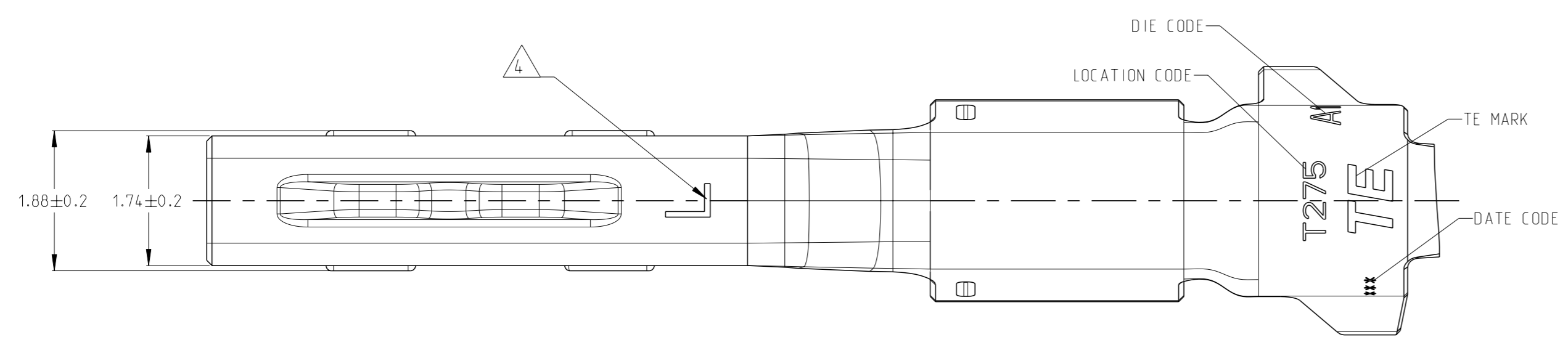
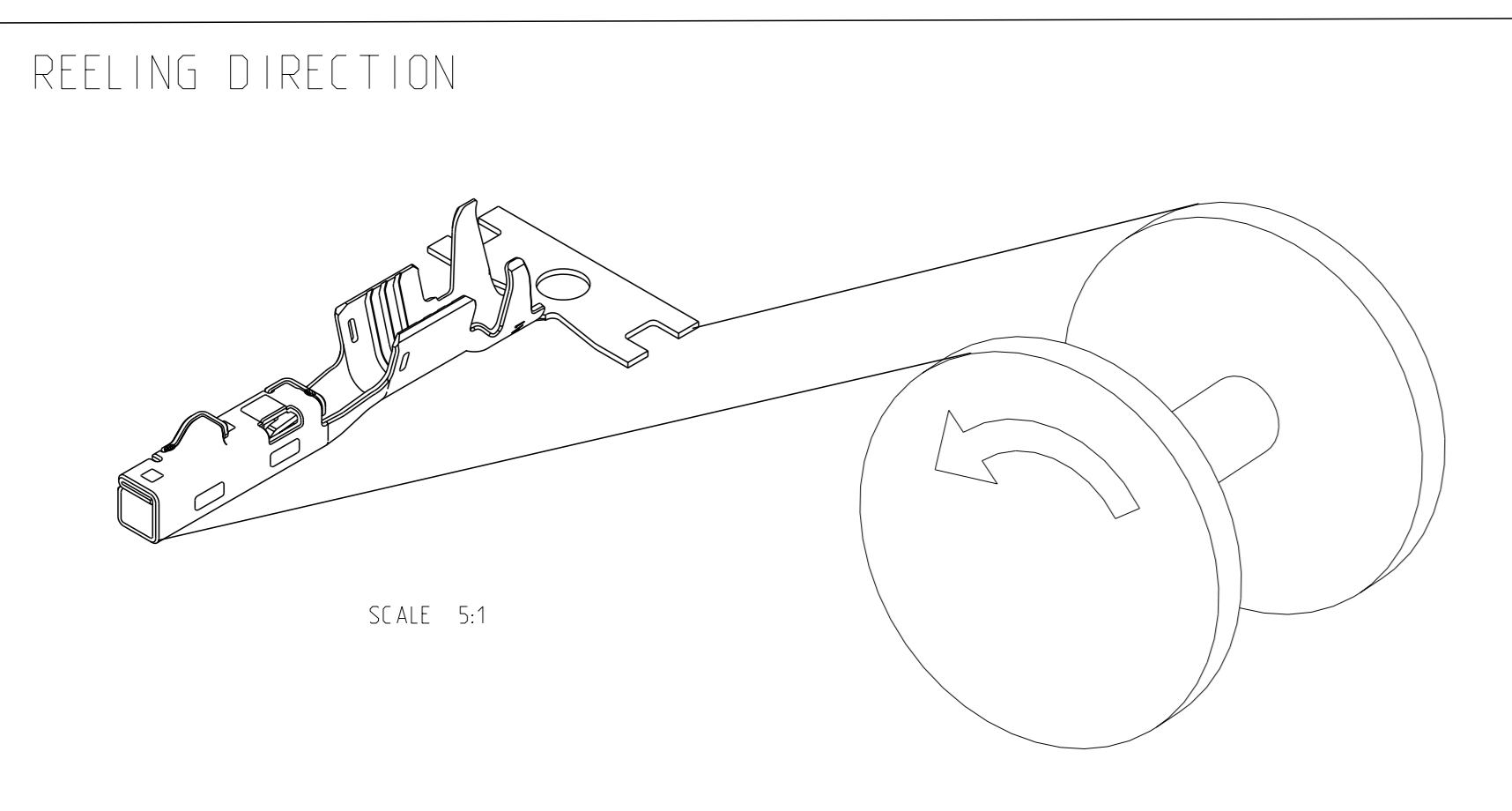
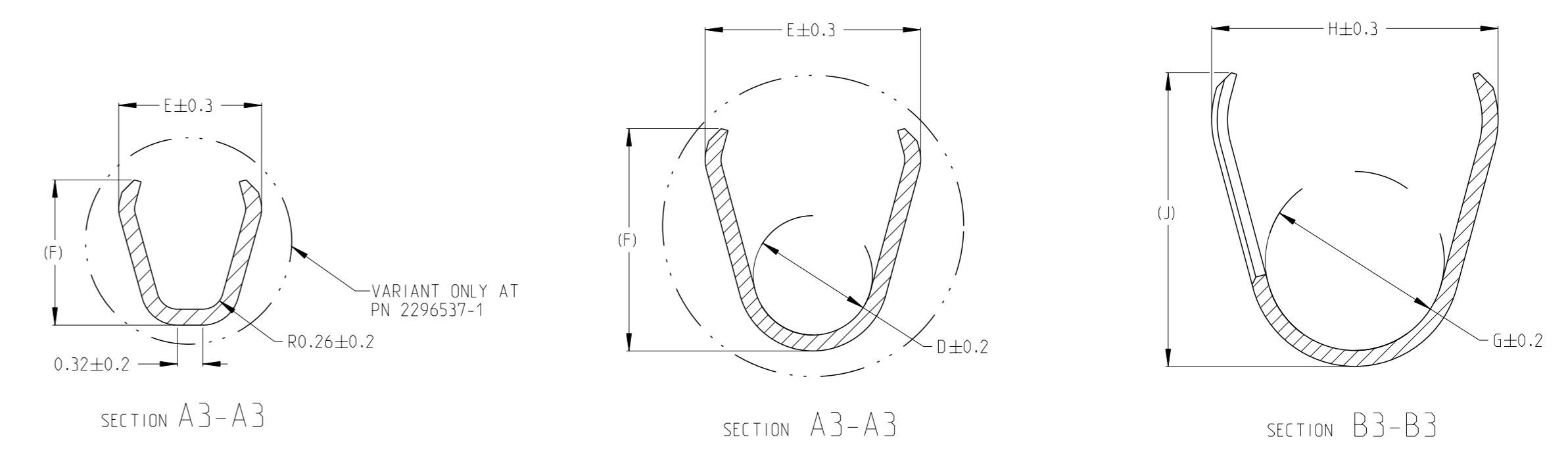
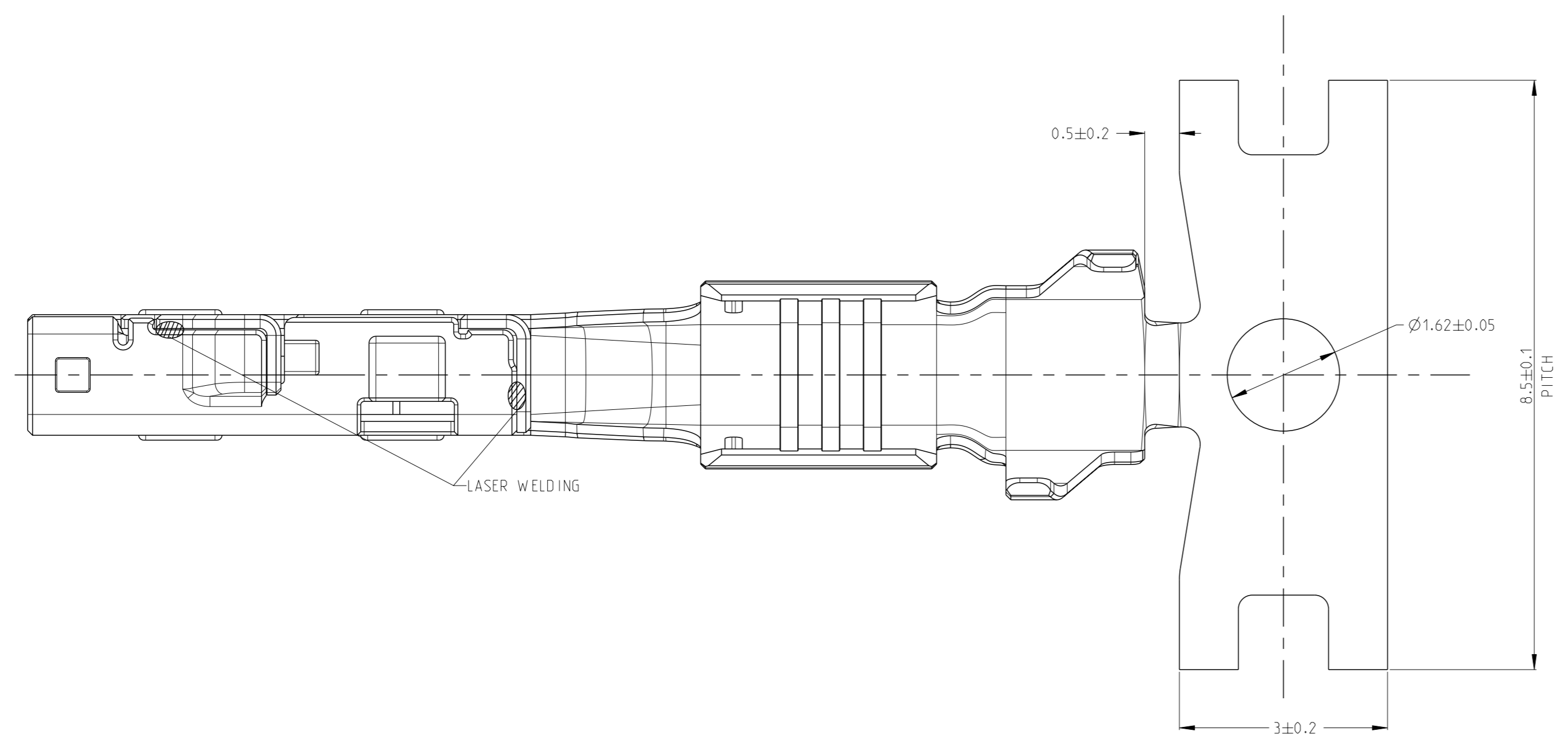


| REVISIONS |     |             |             |           |
|-----------|-----|-------------|-------------|-----------|
| #         | LY# | DESCRIPTION | DATE        | OWN APVD  |
| A1        |     | REVISE      | 22 JUL 2020 | J.Y. E.J. |



1. TERMINAL DESIGNED TO BE USED WITH FLR CABLE
  2. MAX. 9 TERMINAL MISSING PER REEL PERMITTED
  3. 3 LOOSE SPLICES PER REEL PERMITTED
- △ WIRE SIZE MARK, PLEASE SEE TABLE



|             |      |                          |                  |                |          |         |        |     |     |            |     |     |                  |      |     |
|-------------|------|--------------------------|------------------|----------------|----------|---------|--------|-----|-----|------------|-----|-----|------------------|------|-----|
| 2296537-3   | A    | 1.0-1.5mm <sup>2</sup>   | 1.9-2.4mm        | L              | CuNiSi   | PRE-TIN | 3.4    | 2.0 | 6.4 | 1.5        | 2.7 | 2.8 | 2.25             | 3.6  | 3.7 |
| 2296537-2   | A    | 0.5-0.75mm <sup>2</sup>  | 1.4-1.9mm        | M              |          |         | 3.2    | 1.8 | 6.0 | 1.1        | 2.0 | 2.2 | 1.6              | 2.8  | 2.9 |
| 2296537-1   | A    | 0.22-0.35mm <sup>2</sup> | 1.1-1.4mm        | S              |          |         | 2.9    | 2.0 | 6.0 | -          | 1.8 | 1.8 | 1.3              | 2.35 | 2.5 |
| PART NUMBER | REV. | WIRE RANGE               | INSULATION RANGE | WIRE SIZE MARK | MATERIAL | FINISH  | LENGHT |     |     | WIRE CRIMP |     |     | INSULATION CRIMP |      |     |

THIS DRAWING IS A CONTROLLED DOCUMENT.

|             |  |   |                          |                              |
|-------------|--|---|--------------------------|------------------------------|
| DIMENSIONS: | TOLERANCES UNLESS OTHERWISE SPECIFIED: | OWN: G.ZHANG 21DEC2017                                      | CHK: E.JIANG 21DEC2017   | APVD: LYIN 21DEC2017         |
| mm          | ±0.2                                   | NAME: FEMALE TERMINAL, TIN PLATED, REM MONO 1.2, CLEAN BODY | PRODUCT SPEC: 108-101426 | APPLICATION SPEC: 114-101043 |
| MATERIAL:   | FINISH:                                | SIZE: A1  | CAGE CODE: -             | DRAWING NO: C=2296537        |
|             |  | WEIGHT:   |                          | RESTRICTED TO: -             |

CUSTOMER DRAWING SCALE 16:1 SHEET 1 OF 1 REV A1