

## RAFIX 22 QR - Selector switch, illuminated, round collar, long handle

**1.30.242.311/2208**

Included: Ring nut with claw.



Other handle marking colors available on request.

A contact block in position 3 or 5/6 (centre) is actuated when turning in either direction.

### General information

Actuator	handle
Marking of handle	white
Color of front ring	silver-grey
Form of collar	round

### Dimensions

Dimensions of collar	ø 29.8 mm
Overall height	22.2 mm
Mounting depth with contact block without cable	56.4 mm
Mounting hole	ø 22.3 mm
Mounting grid	50 x 30 mm
Diameter of collar	29.8 mm

### Mechanical design

Mounting	ring nut
Contact function	latching
Illumination	yes
Rotating angle	2 x 60°

### Mechanical characteristics

Operating force max.	approx. 5 N for 1 switching element
Torque max.	2 Nm

### Electrical characteristics

Protection class	II
------------------	----

### Other specifications

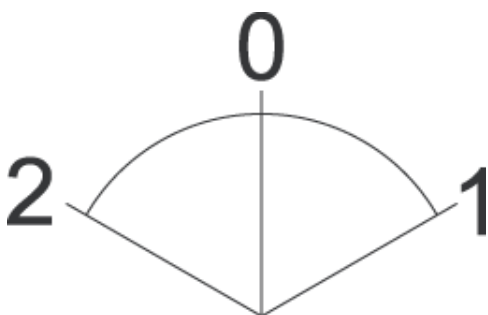
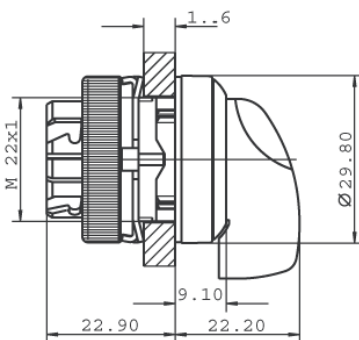
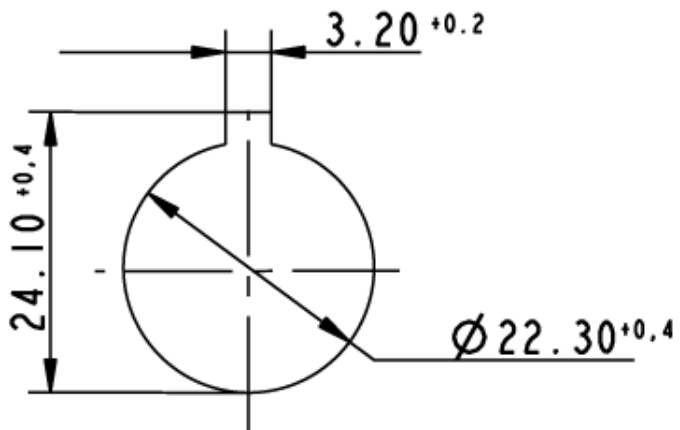
Operating life (operations)	500,000 cycle
Degree of protection from front side	IP65 (DIN EN 60529)
Ambient temp. operating min.	-25 °C
Ambient temp. operating max.	+70 °C
Storage temperature min.	-40 °C
Storage temperature max.	+80 °C
Environmental resistance	acc. to IEC 60068-2-14, -30, -33 and -78

---

ROHS compliant	yes
REACH compliant	yes

---

Panel cut-out to IEC 60947-5-1



# Mouser Electronics

Authorized Distributor

Click to View Pricing, Inventory, Delivery & Lifecycle Information:

[RAFI:](#)

[1.30.242.311/2208](#)