

NOTES1:

- UL Standard
- 1. Rated voltage/current : 300V / 70A
- 2. Withstanding voltage : AC1600V/1Min.
- 3. Wire range : 20~4AWG

IEC Standard

1. Pollution degree	2	2	3
Overvoltage category	II	III	III
Rate impulse voltage(KV)	8KV	8KV	8KV
Rate voltage(V)	1000V	1000V	1000V
Rate current(A)	76A		

- 2. Wire range : 0.2~16.0mm²

NOTES2:

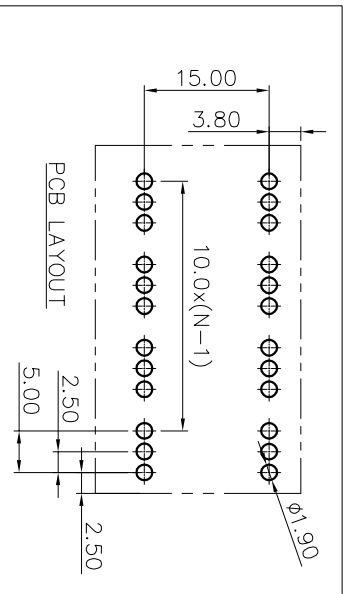
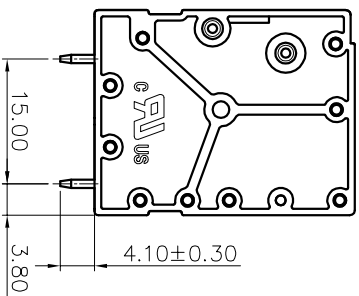
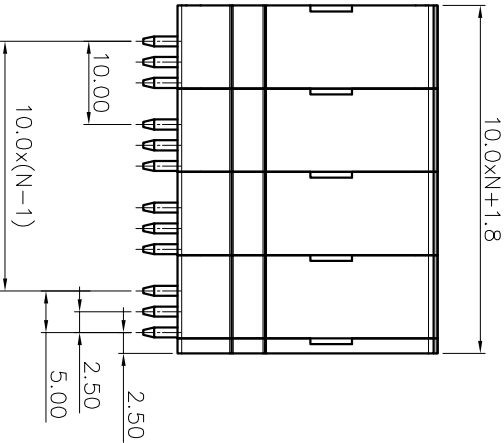
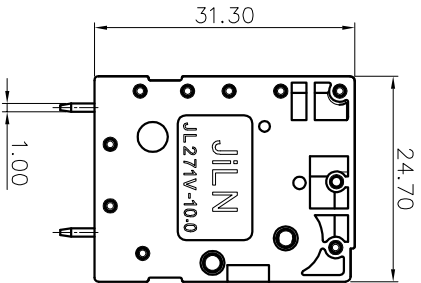
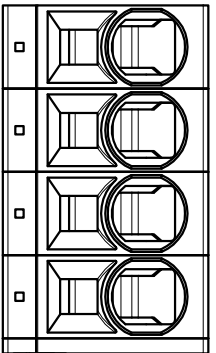
- 1. Dimension shall be interpreted per ASME Y14.5-2009
- 2. Stripping length : 17~18mm
- 3. Operating temperature: -40°C~+105°C
- 4. Undimensioned tolerances:
- 5. RoHS Compliance

Pitch range in mm		Nominal dimension range in mm		Over		Over		Over	
TO	TO	TO	TO	TO	TO	TO	TO	TO	TO
6	10	10	30	60	100	150	0.1/10		
10	24	30	60	100	150		∠		
±0.15	±0.20	±0.30	±0.50	±0.70	±1.00	±1.30	±2°		

Ordering Information

JL271V - 100 XX G 0 1

Pitch 100=10.0PH
 No. of pins 1P~24P
 Housing Color B=Black G=Green U=Blue R=Red W=White Y=Yellow D=Orange E=Grey
 Packing 0=Pe 1=Bo 2=Tray
 A=Tray



REVISION RECORD				
REV	ECN	DESCRIPTION	DRFT	DATE
A0		NEW		21.08.21

DRAW	SHUANGPING ZHENG		SCALE	FIT	PART NO.	JL271V-100XXG01
	CHECK	LICHAD LIU	UNIT	mm		
APPROVE	YONGLIANG GAO	SIZE	A4	SHEET	1/1	TITLE:
		PRDJ				JL271V-10.0-XXP 弹簧式/直脚/双排绿色

JILIN 东莞市锦凌电子有限公司
 DONGGUAN JINLING ELECTRONIC CO., LTD