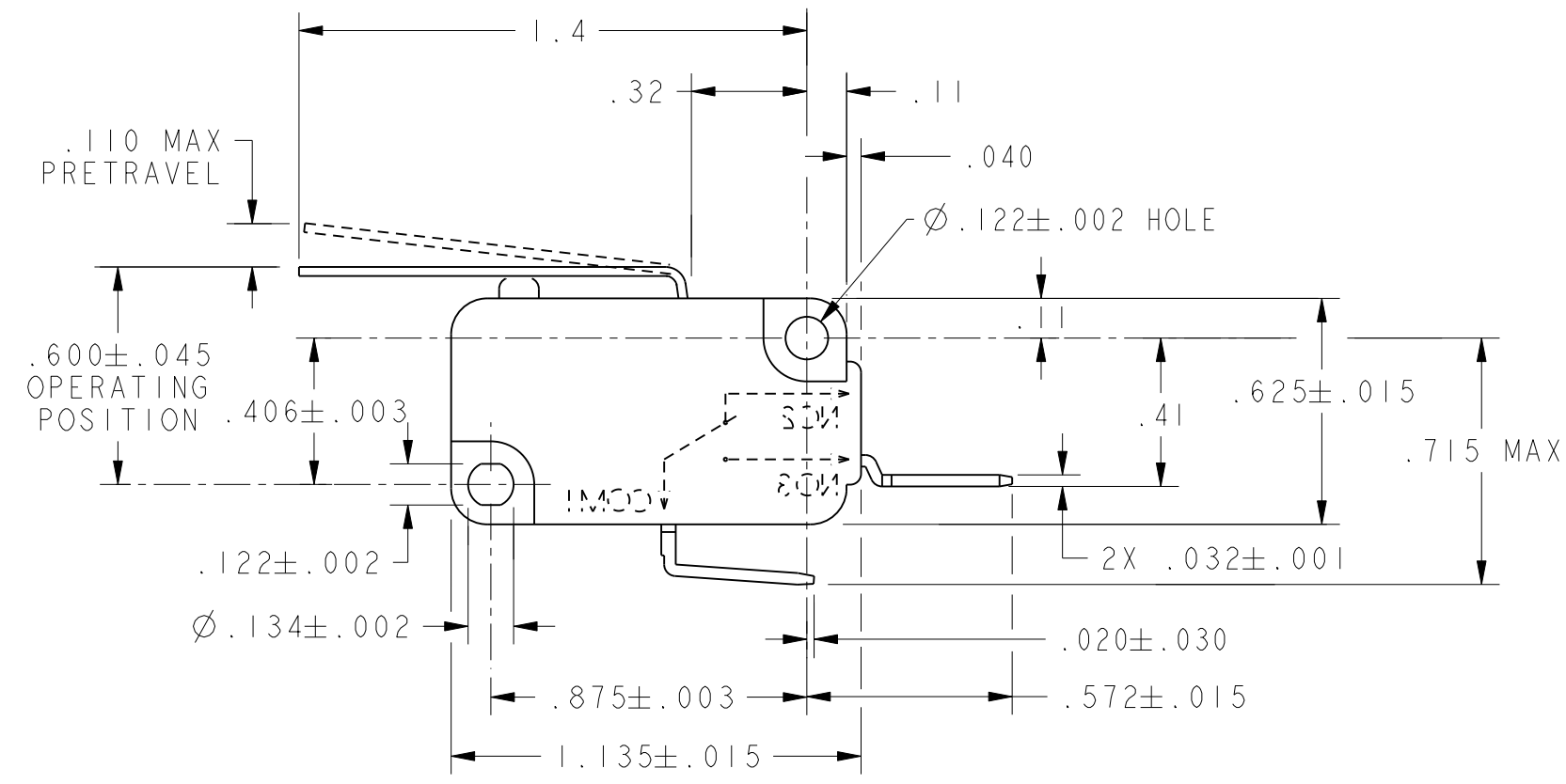
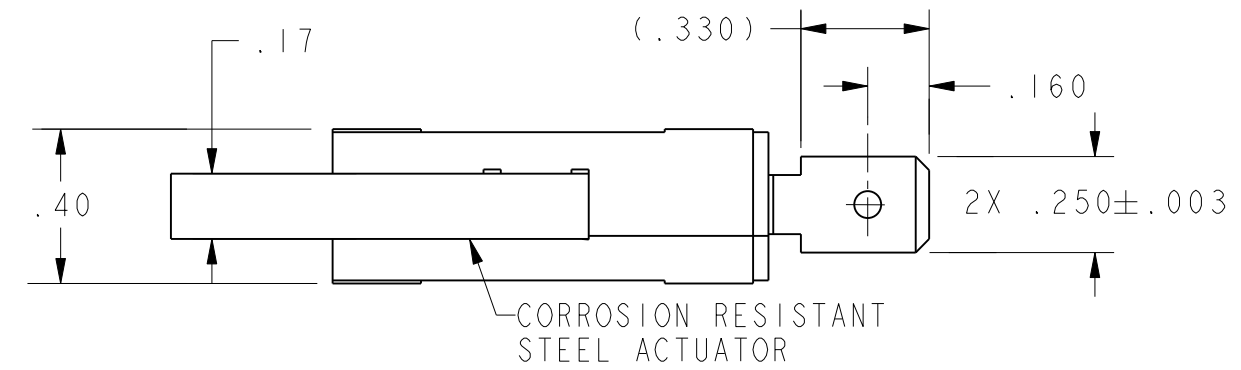


CW-B5551

REV	DOCUMENT	CHANGED BY	CHECK
4	0041144	SS 26 JUN 08	BLR



NOTE
1 - METRIC MOUNTING HOLES

CHARACTERISTICS	
OPERATING FORCE	---- 85 GRAMS MAX
RELEASE FORCE	----- 5 GRAMS MIN
DIFFERENTIAL TRAVEL	----- .030 MAX
OVERTRAVEL	----- .065 MIN
RELEASE TRAVEL	----- .017 MIN

ELECTRICAL DATA	
CONTACT ARRANGEMENT	
S P N O	
L215	
15.1A 1/2HP 125, 250 OR 277 VAC	
1/2A 125 VDC	
1/4A 250 VDC; 5A 125 VAC "L"	

UNLESS OTHERWISE SPECIFIED TOLERANCES ARE:

NO PLACE	X	±.040	±1
ONE PLACE	.X	±.030	±0,4
TWO PLACE	.XX	±.015	±0,15
THREE PLACE	.XXX	±.005	±
ANGLES		±	±
RAW MATERIAL-COMMERCIAL STANDARD			

THIRD ANGLE PROJECTION

DRAWN	CSL	13FEB03
CHECK	SAV	13FEB03
THIS DRAWING COVERS A PROPRIETARY ITEM AND IS THE PROPERTY OF HONEYWELL. THIS DRAWING IS NOT TO BE COPIED OR USED WITHOUT THE PERMISSION OF HONEYWELL.		
DIMENSIONS ARE TO BE MET BEFORE PROTECTIVE COATINGS ARE APPLIED		
PTC 2D	ASME Y14.5M-1994	

Honeywell			
TITLE SWITCH, BASIC			
SIZE	DWG TYPE	DRAWING NAME	REV
B	I	V7-1C28E9-022	4
SCALE	2:1	WEIGHT	SHEET 1 OF 1

