



## General Description

MCP1703T series are a set of Low Dropout Linear Regulator ICs implemented in CMOS technology. They can withstand voltage 18V. And they are available with low voltage drop and low quiescent current, widely used in audio, video and communication appliances. 9V alkaline and one or two cell Li-Ion-powered, audio, video and communication appliances.

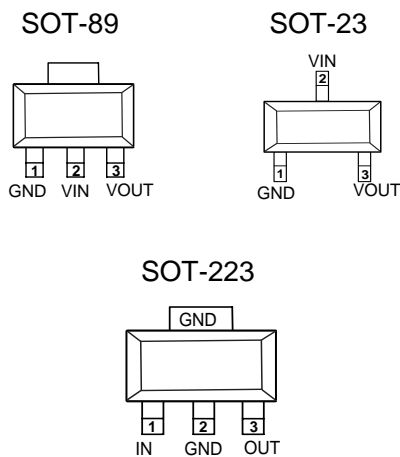
## Features

- Low Power Consumption
- Low Voltage Drop
- Low Temperature Coefficient
- Withstanding Voltage 18V
- Quiescent Current 1.8 $\mu$ A
- Output Voltage Accuracy: tolerance  $\pm$ 2%
- High output current: 300mA

## Application

- Battery-powered Equipments
- Communication Equipments
- Audio/Video Equipments
- Smart Battery Packs
- Smoke Detectors
- CO2 DETECTORS

## Pin Configuration And Descriptions



No.		Name	Functions Description
SOT-223	SOT-23/ SOT-89		
2	1	GND	Ground
1	2	V <sub>IN</sub>	Input
3	3	V <sub>OUT</sub>	Output

## Order Information

Orderable Device	Package	Output Voltage	Packing Option
MCP1703T-xx02E/CB	SOT-23	2.5V,2.8V,3.0V,3.3V,5.0V	3000/Reel
MCP1703T-xx02E/MB	SOT-89	2.5V,2.8V,3.0V,3.3V,5.0V	1000/Reel
MCP1703T-xx02E/DB	SOT-223	2.5V,2.8V,3.0V,3.3V,5.0V	1000/Reel

Note: xx is 25,28,30,33,50



## Absolute Maximum Ratings

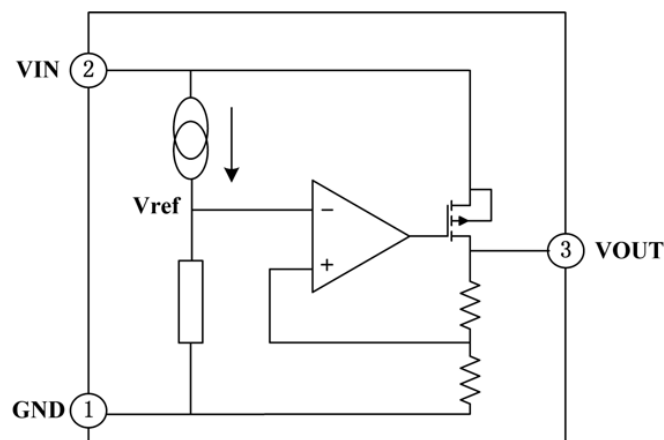
Description	Symbol	Value Range	Unit
Limit Power Voltage	$V_{IN}$	-0.3~+20	V
Storage Temperature Range	$T_{STG}$	-50~+125	°C
Operating Free-air Temperature Range	$T_A$	-40~+85	°C

Note: Stresses greater than those listed under “Absolute Maximum Ratings” cause permanent damage to the device. These are stress ratings only, and functional operation of the device at these or any other conditions beyond those indicated under “Recommended Operating Conditions” is not implied. Exposure to “Absolute Maximum Ratings” for extended periods may affect device reliability.

## Heat Dissipation

Description	Symbol	Package	Value Range	Unit
Thermal resistance	$\theta_{JA}$	SOT-89	200	°C/W
		SOT-223	150	°C/W
		SOT-23	500	°C/W
Power dissipation	$P_w$	SOT-89	500	mW
		SOT-223	600	mW
		SOT-23	200	mW

## Block Diagram





## DC Characteristics (unless otherwise noted $T_A=25^\circ\text{C}$ )

( $V_{IN}=V_{OUT}+1.0\text{V}$ ,  $C_{IN}=C_L=10\mu\text{F}$ ,  $T_A=25^\circ\text{C}$ , unless otherwise noted)

Parameter	Symbol	Test Condition	Min	Typ	Max	Unit
Output Voltage	$V_{OUT}$	$V_{IN}=V_{OUT}+1.0\text{V}$ , $I_{OUT}=10\text{mA}$	2.5		5.0	V
Output Current	$I_{OUT}$	$V_{IN}=V_{OUT}+1.0\text{V}$	300			mA
Load Regulation	$\Delta V_{OUT}$	$V_{IN}=V_{OUT}+1.0\text{V}$ $1\text{mA}\leq I_{OUT}\leq 300\text{mA}$		37	100	mV
Voltage Drop	$V_{DIF}$	$I_{OUT}=100\text{mA}$ , $\Delta V_{OUT}=2\%$		195	300	mV
Quiescent Current	$I_{SS}$			1.8	3.0	$\mu\text{A}$
Line Regulation	$\frac{\Delta V_{OUT}}{V_{OUT}} \cdot \Delta V_{IN}$	$V_{OUT}+1.0\text{V}\leq V_{IN}\leq 6\text{V}$ , $I_{OUT}=1\text{mA}$			0.2	%/V
Input Voltage	$V_{IN}$				18	V
Temperature Coefficient	$\frac{\Delta V_{OUT}}{\Delta T_A} \cdot V_{OUT}$	$V_{IN}=V_{OUT}+1.0\text{V}$ , $I_{OUT}=10\text{mA}$ , $40^\circ\text{C}\leq T_A\leq 85^\circ\text{C}$		$\pm 100$		ppm/ $^\circ\text{C}$
Output Short Circuit Current	$I_{lim}$	$V_{OUT}=0\text{V}$		400		mA

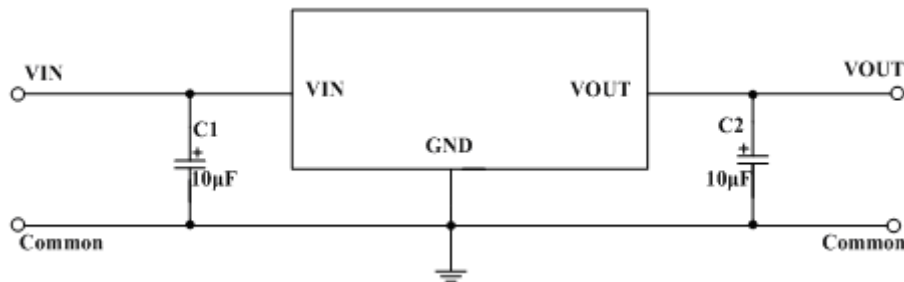
Note: When  $V_{IN}=V_{OUT}+1.0\text{V}$ , as the output voltage declined 2%, the  $V_{DIF}=V_{IN}-V_{OUT}$ .

## Function Description

MCP1703T series are linear voltage regulator ICs withstanding 20V voltage. The series IC consists of a voltage reference, an error amplifier, a current limiter and a phase compensation circuit plus a driver transistor. The output stabilization capacitor is also compatible with low ESR ceramic capacitors. The over current protection circuit and the over voltage protection circuit are built-in. The protection circuit will operate when the output current or input voltage reaches limit level.

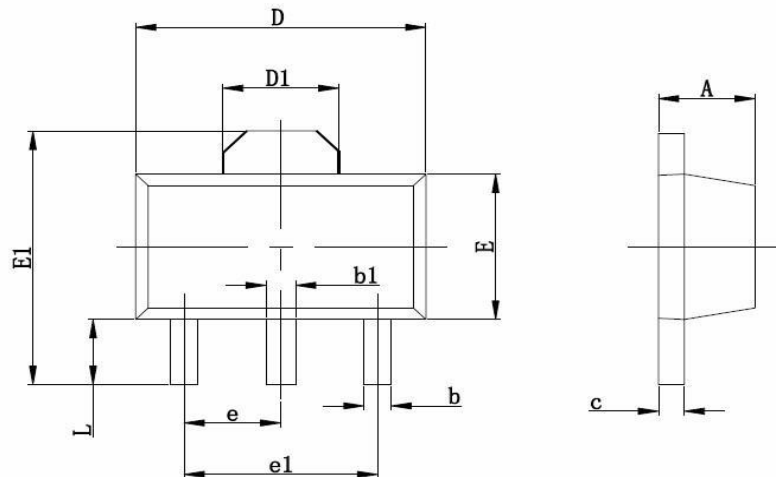
## Application Circuit

### Basic Circuits





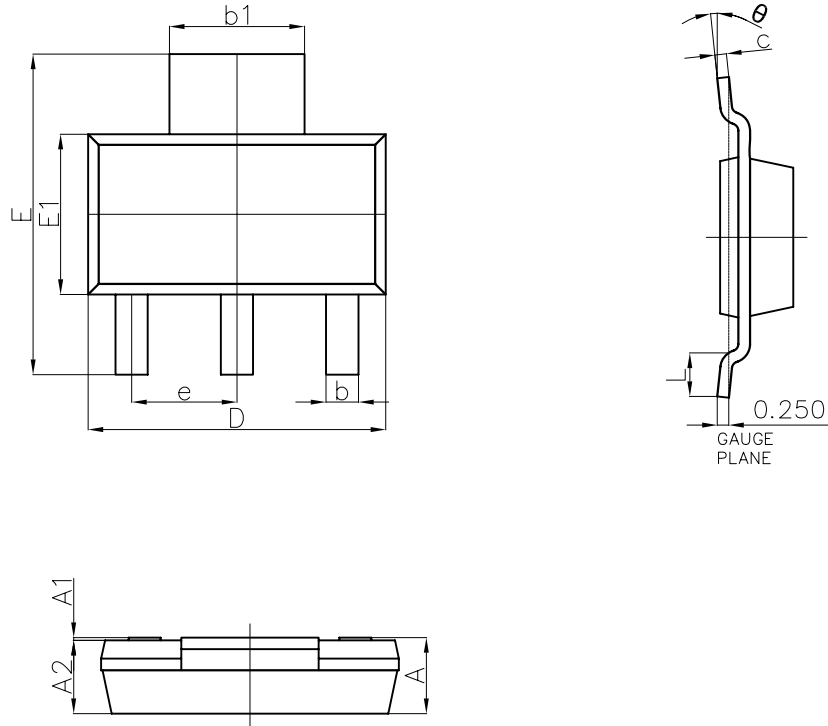
**Package Dimensions**  
**SOT-89**



Symbol	Dimensions In Millimeters		Dimensions In Inches	
	Min	Max	Min	Max
A	1.400	1.600	0.055	0.063
b	0.320	0.520	0.013	0.020
b1	0.400	0.580	0.016	0.023
c	0.350	0.440	0.014	0.017
D	4.400	4.600	0.173	0.181
D1	1.550 REF.		0.061 REF.	
E	2.300	2.600	0.091	0.102
E1	3.940	4.250	0.155	0.167
e	1.500 TYP.		0.060 TYP.	
e1	3.000 TYP.		0.118 TYP.	
L	0.900	1.200	0.035	0.047



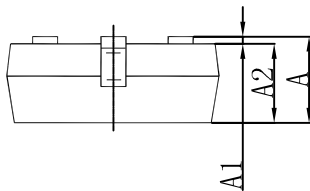
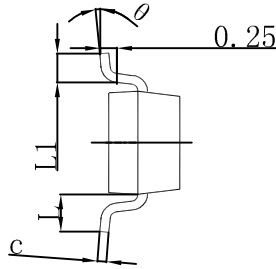
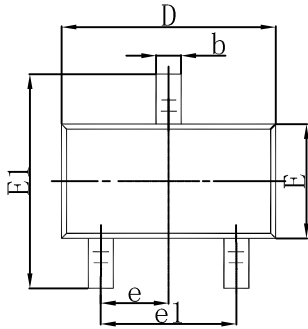
**Package Dimensions**  
**SOT-223**



Symbol	Dimensions In Millimeters		Dimensions In Inches	
	Min.	Max.	Min.	Max.
A	—	1.800	—	0.071
A1	0.020	0.100	0.001	0.004
A2	1.500	1.700	0.059	0.067
b	0.660	0.840	0.026	0.033
b1	2.900	3.100	0.114	0.122
c	0.230	0.350	0.009	0.014
D	6.300	6.700	0.248	0.264
E	6.700	7.300	0.264	0.287
E1	3.300	3.700	0.130	0.146
e	2.300(BSC)		0.091(BSC)	
L	0.750	—	0.030	—
θ	0°	10°	0°	10°

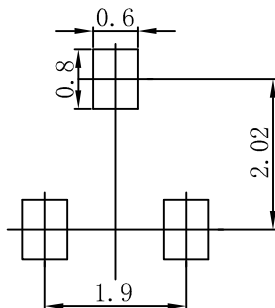


## Package Dimensions SOT-23



Symbol	Dimensions In Millimeters		Dimensions In Inches	
	Min	Max	Min	Max
A	0.900	1.150	0.035	0.045
A1	0.000	0.100	0.000	0.004
A2	0.900	1.050	0.035	0.041
b	0.300	0.500	0.012	0.020
c	0.080	0.150	0.003	0.006
D	2.800	3.000	0.110	0.118
E	1.200	1.400	0.047	0.055
E1	2.250	2.550	0.089	0.100
e	0.950 TYP		0.037 TYP	
e1	1.800	2.000	0.071	0.079
L	0.550 REF		0.022 REF	
L1	0.300	0.500	0.012	0.020
$\theta$	0°	8°	0°	8°

## Suggested Pad Layout



Note:

1. Controlling dimension: in millimeters.
2. General tolerance:  $\pm 0.05$  mm.
3. The pad layout is for reference purposes only.



### Attention

- Any and all HUA XUAN YANG ELECTRONICS products described or contained herein do not have specifications that can handle applications that require extremely high levels of reliability, such as life-support systems, aircraft's control systems, or other applications whose failure can be reasonably expected to result in serious physical and/or material damage. Consult with your HUA XUAN YANG ELECTRONICS representative nearest you before using any HUA XUAN YANG ELECTRONICS products described or contained herein in such applications.
- HUA XUAN YANG ELECTRONICS assumes no responsibility for equipment failures that result from using products at values that exceed, even momentarily, rated values (such as maximum ratings, operating condition ranges, or other parameters) listed in products specifications of any and all HUA XUAN YANG ELECTRONICS products described or contained herein.
- Specifications of any and all HUA XUAN YANG ELECTRONICS products described or contained herein stipulate the performance, characteristics, and functions of the described products in the independent state, and are not guarantees of the performance, characteristics, and functions of the described products as mounted in the customer's products or equipment. To verify symptoms and states that cannot be evaluated in an independent device, the customer should always evaluate and test devices mounted in the customer's products or equipment.
- HUA XUAN YANG ELECTRONICS CO.,LTD. strives to supply high-quality high-reliability products. However, any and all semiconductor products fail with some probability. It is possible that these probabilistic failures could give rise to accidents or events that could endanger human lives, that could give rise to smoke or fire, or that could cause damage to other property. When designing equipment, adopt safety measures so that these kinds of accidents or events cannot occur. Such measures include but are not limited to protective circuits and error prevention circuits for safe design, redundant design, and structural design.
- In the event that any or all HUA XUAN YANG ELECTRONICS products(including technical data, services) described or contained herein are controlled under any of applicable local export control laws and regulations, such products must not be exported without obtaining the export license from the authorities concerned in accordance with the above law.
- No part of this publication may be reproduced or transmitted in any form or by any means, electronic or mechanical, including photocopying and recording, or any information storage or retrieval system, or otherwise, without the prior written permission of HUA XUAN YANG ELECTRONICS CO.,LTD.
- Information (including circuit diagrams and circuit parameters) herein is for example only ; it is not guaranteed for volume production. HUA XUAN YANG ELECTRONICS believes information herein is accurate and reliable, but no guarantees are made or implied regarding its use or any infringements of intellectual property rights or other rights of third parties.
- Any and all information described or contained herein are subject to change without notice due to product/technology improvement, etc. When designing equipment, refer to the "Delivery Specification" for the HUA XUAN YANG ELECTRONICS product that you intend to use.