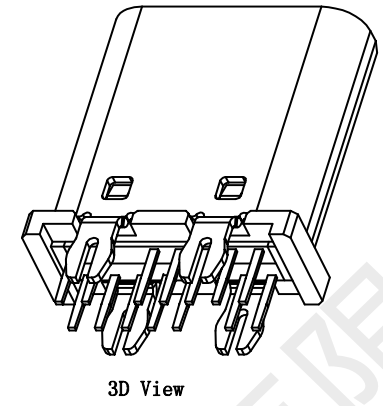
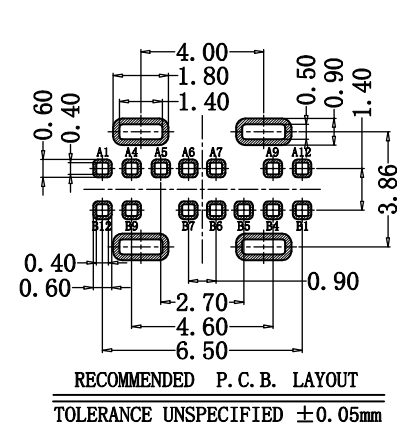
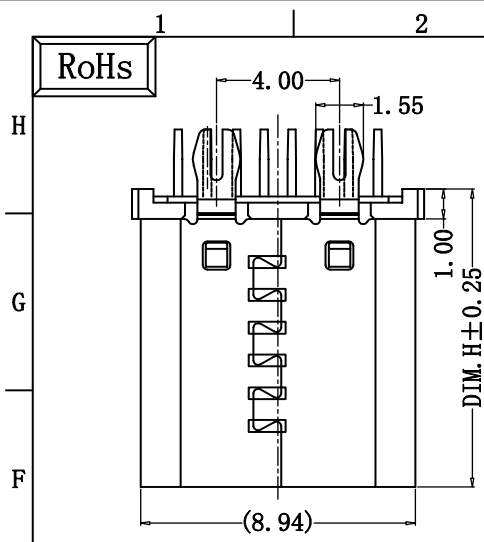
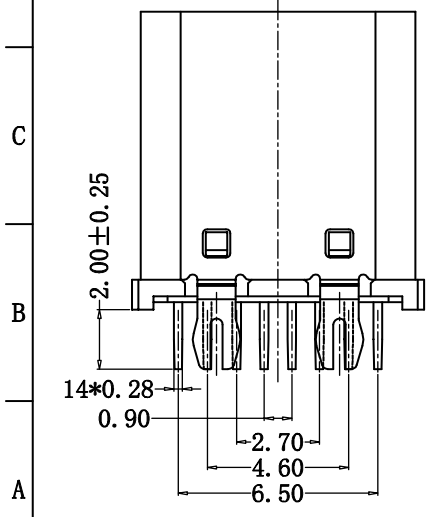
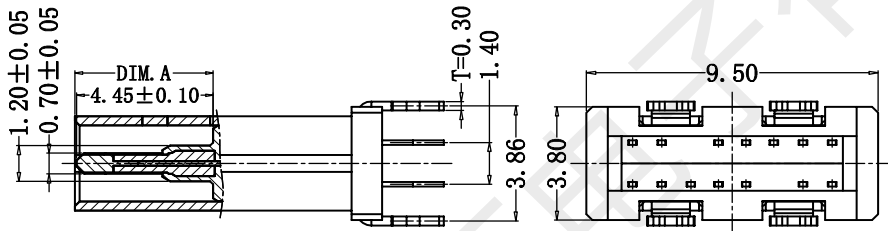
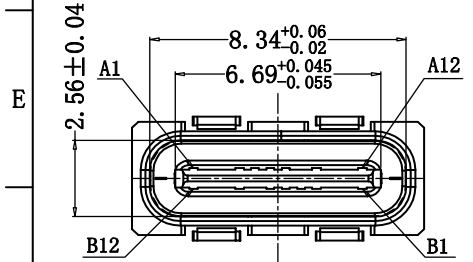


RoHs

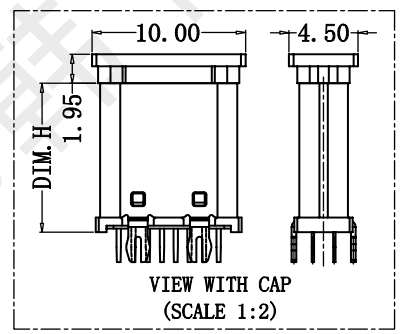
VER	MARK	PR. BY	ECR/ECN	DESCRIPTION	DATE
A				NEW RELEASE	09/11' 21
B	△			新增规格 △*3	12/15' 21
C	△			新增规格 △*1	01/03' 22
D	△			新增规格 △*1	02/17' 22



- SPECIFICATION:**
- MATERIAL & FINISH:** SEE THE LIST;
 - PLATING SPECIFICATION:**
 - CONTACTS:**
 - Ni 50u" MIN. UNDER PLATED OVER ALL.
 - Au PLATED ON THE MATING AREA OF CONTACT.
 - Sn PLATED ON THE SOLDER AREA.
 - SHELL:** Ni 30u" MIN. UNDER PLATED OVER ALL.
 - MID PLATE:** CLEAR ONLY
 - MECHANICAL:**
 - MATING FORCE:** 0.5~2.0kgf;
 - UNMATING FORCE:** 0.8~2.0kgf.
 - DURABILITY:** 10000 CYCLES;
 - ELECTRICAL:**
 - CURRENT RATING:** 3A Max;
 - VOLTAGE RATING:** 20V Max;
 - DIELECTRIC WITHSTANDING VOLTAGE:** 100VAc;
 - CONTACT RESISTANCE:** 40mΩ Ohms Max. ;
 - INSULATION RESISTANCE:** 100M Ohms Min. ;
 - ENVIRONMENTAL:**
 - OPERATING TEMPERATURE:** -30° C-80° C
 - WETTING TEMPERATURE:** 265±5° C, 5±0.5s



PIN DEFINE TABLE			
PIN	SIGNAL	PIN	SIGNAL
A12	GND	B1	GND
A11		B2	
A10		B3	
A9	VBUS	B4	VBUS
A8		B5	CC2
A7	D-	B6	D+
A6	D+	B7	D-
A5	CC1	B8	
A4	VBUS	B9	VBUS
A3		B10	
A2		B11	
A1	GND	B12	GND



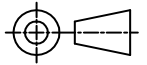
NO.	镀金1u"	镀金3u"	DIM. H	DIM. A
1	1014-FGB017	1014-FHB015	10.0	4.50
2	1014-FGB018	1014-FHB016	10.5	5.00
△ 3	1014-FGW005		10.0	4.50
△ 4	1014-FGC001		10.5	5.00
△ 5	1014-FGW006		10.5	5.00
△ 6	1014-FGL001		10.0	4.50
△ 7	1014-FGC002		10.0	4.50

NO.	PART NAME	Q' TY	MATERIAL	FINISH
4	Shell	1	Stainless Steel, T=0.30mm	30u"Ni Min.
3	GroundBar	1	Stainless Steel, T=0.15mm	No Plating
2	Contact	14	Copper Alloy, T=0.15mm	Au/Sn/Ni-Plated
1	Housing	1	High temperature plastic	UL94 V-0, Black

CUSTOMER		GENERAL TOLERANCES UNLESS SPECIFIED		APPROVED BY: 罗小春		TITLE: HX TYPE-C 14P LC H10.0	
SIZE A4	UNITS MM[INCH]	X±0.50 .X±0.35	X'±5.0° .X'±3.0°	CHECKED BY: 张伟		PART NO.: See the List	
SCALE 1:1	REV. D	.XX±0.25 .XXX±0.15	.XX'±2.5° .XXX'±2.0°	DESIGN BY: 黄彬		DWG NO.: 1014-FXXXXX	



深圳市韩下电子有限公司

SHEET	
1/1	