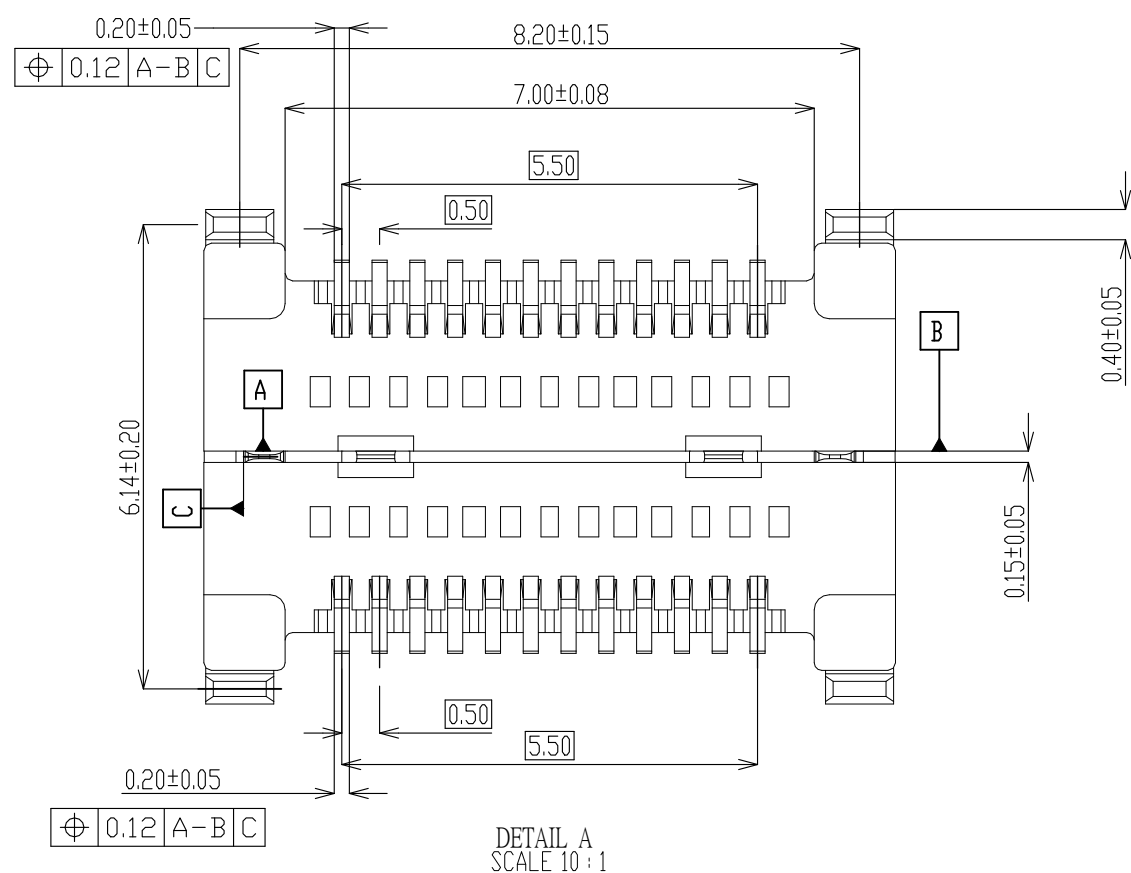
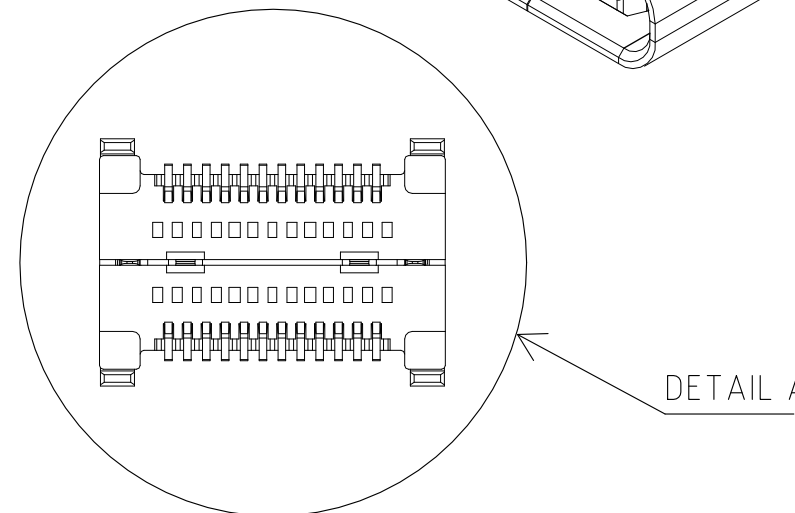
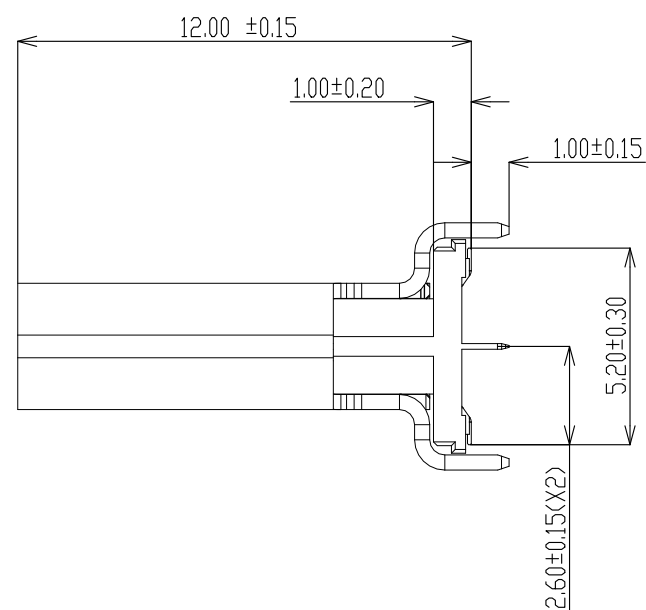
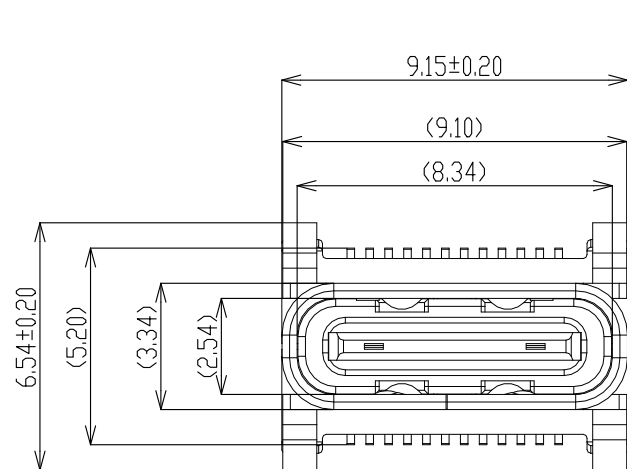
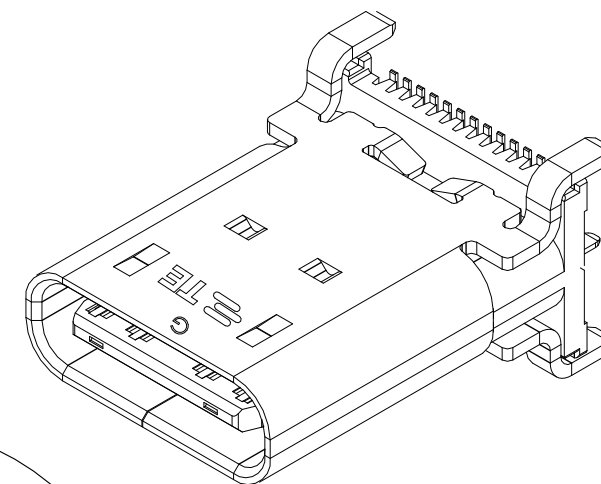
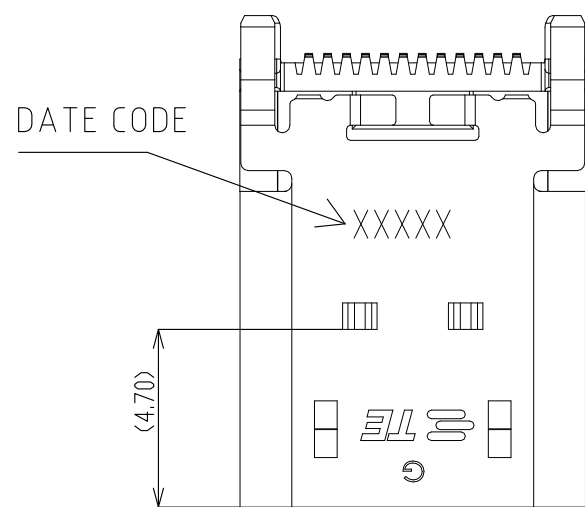


| REVISIONS | | | | |
|-----------|-----|---------------------------|-----------|-------|
| P | LTR | DESCRIPTION | DATE | APVD |
| | A1 | REVISED PER ECN-24-270460 | 14JUN2024 | TR GA |



DETAIL A
SCALE 10 : 1

THIS DRAWING IS A CONTROLLED DOCUMENT.

| | |
|-------------|--|
| DIMENSIONS: | TOLERANCES UNLESS OTHERWISE SPECIFIED: |
| mm | |
| | 0 PLC ± - |
| | 1 PLC ± - |
| | 2 PLC ± 0.15 |
| | 3 PLC ± - |
| | 4 PLC ± - |
| | ANGLES ± 1° |

MATERIAL
SEE NOTE

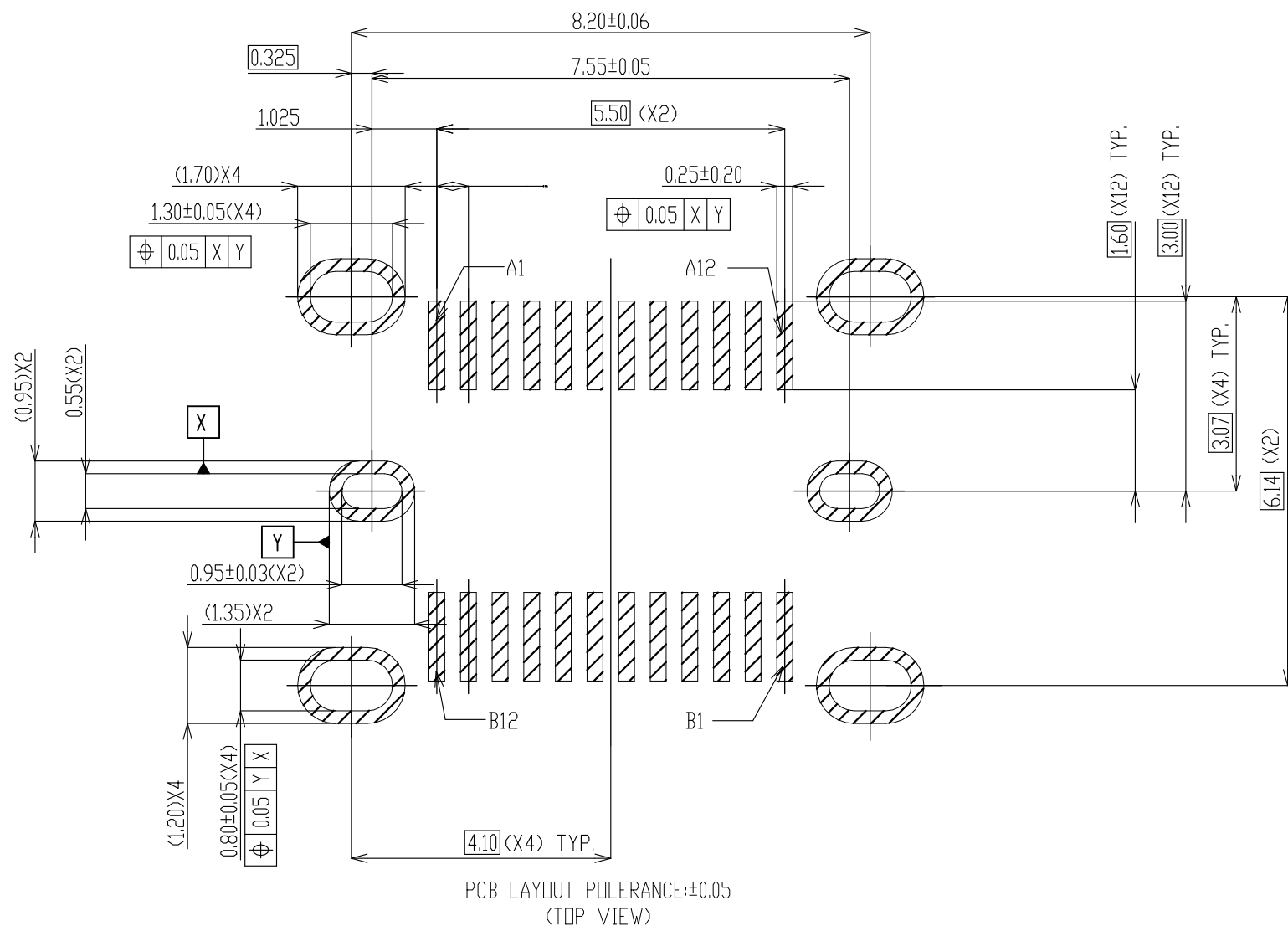
DWN RICHARD MA 7JUN2018
 CHK RICHARD MA 7JUN2018
 APVD SIMON LI 7JUN2018
 PRODUCT SPEC 108-115145
 APPLICATION SPEC -
 WEIGHT -
 FINISH SEE NOTE

2337857-1 PART NUMBER
STE TE Connectivity Ltd.
 NAME USB TYPE C RECEPTABLE VERTICAL TYPE
 SIZE A3 CAGE CODE 00779 DRAWING NO C-2337857
 RESTRICTED TO -
 CUSTOMER DRAWING

| | | | | | |
|-------|-----|-------|--------|-----|----|
| SCALE | 1:1 | SHEET | 1 OF 3 | REV | A1 |
|-------|-----|-------|--------|-----|----|

REVISIONS

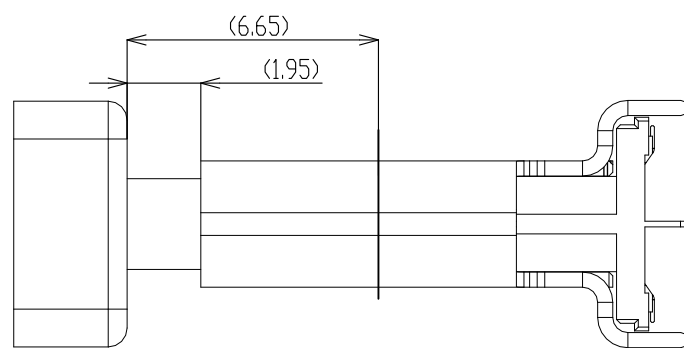
| P | LTR | DESCRIPTION | DATE | DWN | APVD |
|---|-----|-------------|------|-----|------|
| - | - | SEE SHEET 1 | - | - | - |



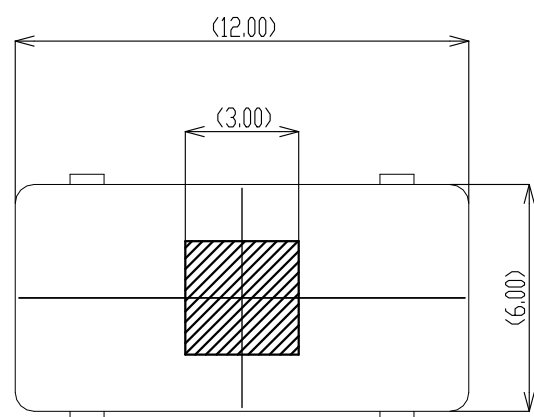
NOTES :

- 1.MATERIAL
HOUSING :HIGH TEMPERATURE THERMAL PLASTIC,BLACK,UL94-V0
CONTACT :COPPER ALLOY
SHELL :STAINLESS STEEL
MIDDLE PLATE:STAINLESS STEEL
- 2.PLATING
A1 CONTACT: 0.05um [2u"] MIN. GOLD PLATED OVER
0.762um [30u"] MIN. PALLADIUM-NICKEL PLATED ON OR ALTERNATIVE 30u" MIN. GOLD PLATE ON CONTACT AREA.
0.00254um [100u"] MIN. MATTE TIN PLATING ON SOLDER TAILS, WITH ENTIRE CONTACT UNDERPLATED 0.00127mm [50u"] MIN. NICKEL.
SHELL: 0.00127mm [50u"] MIN. NICKEL UNDER PLATING OVERALL.
MIDDLE PLATE: 0.00127mm [50u"] MIN. NICKEL UNDER PLATING OVERALL.
- 3.COPLANARITY OF SMT PINS SOLDER TAIL:
0.08MAX BEFORE REFLOW,0.10MAX. AFTER REFLOW

PCB LAYOUT POLERANCE:±0.05 (TOP VIEW)



MATED CONDITION(REF.)

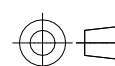


CAP ASSEMBLY CONDITION(REF.)

THIS DRAWING IS A CONTROLLED DOCUMENT.

DIMENSIONS:

mm



TOLERANCES UNLESS OTHERWISE SPECIFIED:

| | |
|--------|--------|
| 0 PLC | ± - |
| 1 PLC | ± - |
| 2 PLC | ± 0.15 |
| 3 PLC | ± - |
| 4 PLC | ± - |
| ANGLES | ± 1° |

MATERIAL

SEE NOTE

FINISH

SEE NOTE

DWN -

CHK -

APVD -

PRODUCT SPEC -

APPLICATION SPEC -

WEIGHT -

NAME

SIZE

APPLICATION SPEC

WEIGHT



TE Connectivity Ltd.

USB TYPE C RECEPTABLE
VERTICAL TYPE

SIZE

CAGE CODE

DRAWING NO

RESTRICTED TO

A3

00779

C-2337857

CUSTOMER DRAWING

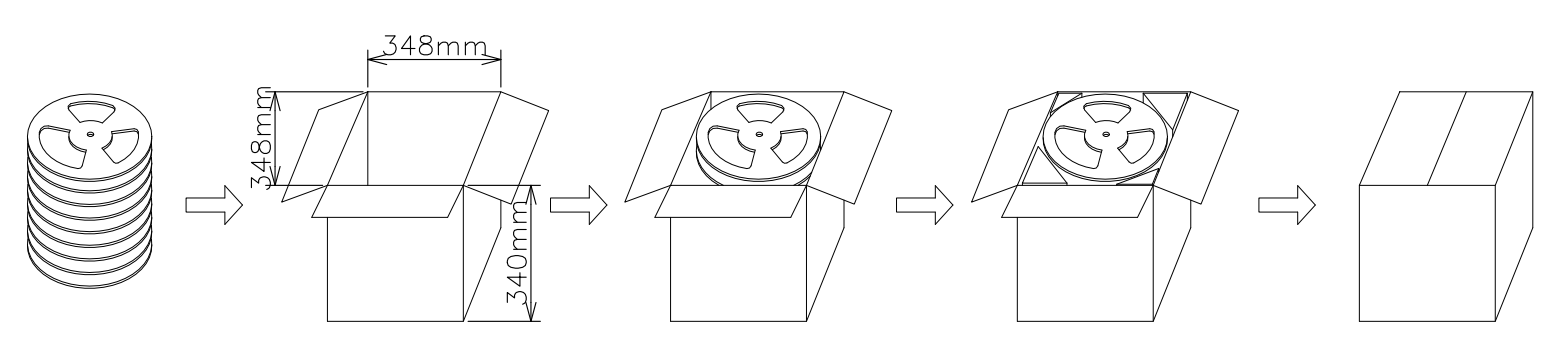
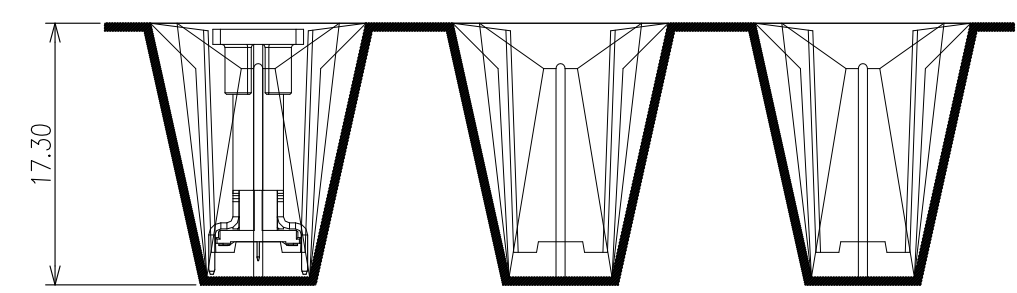
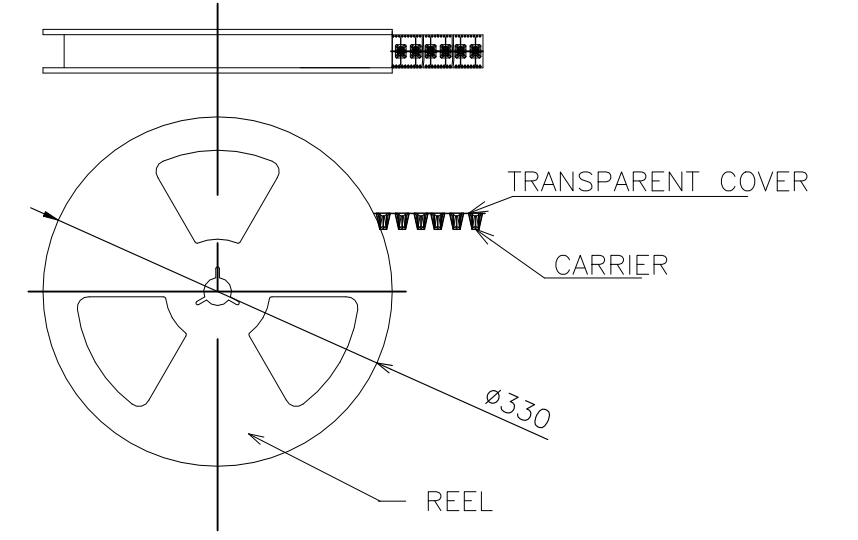
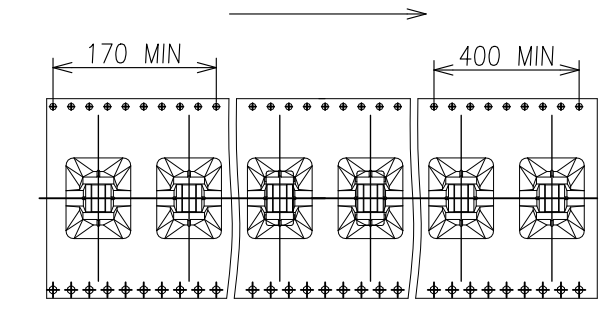
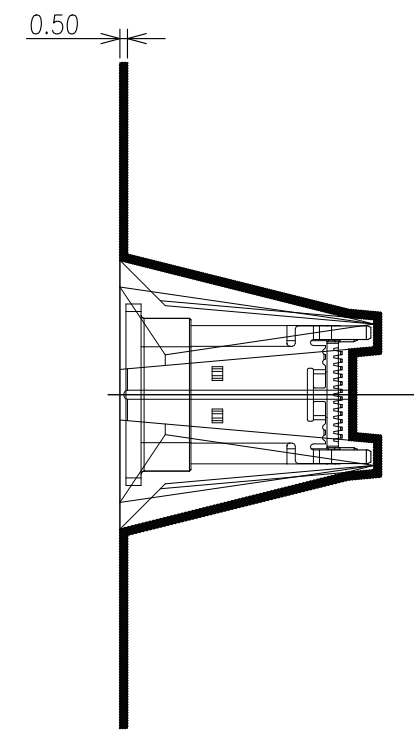
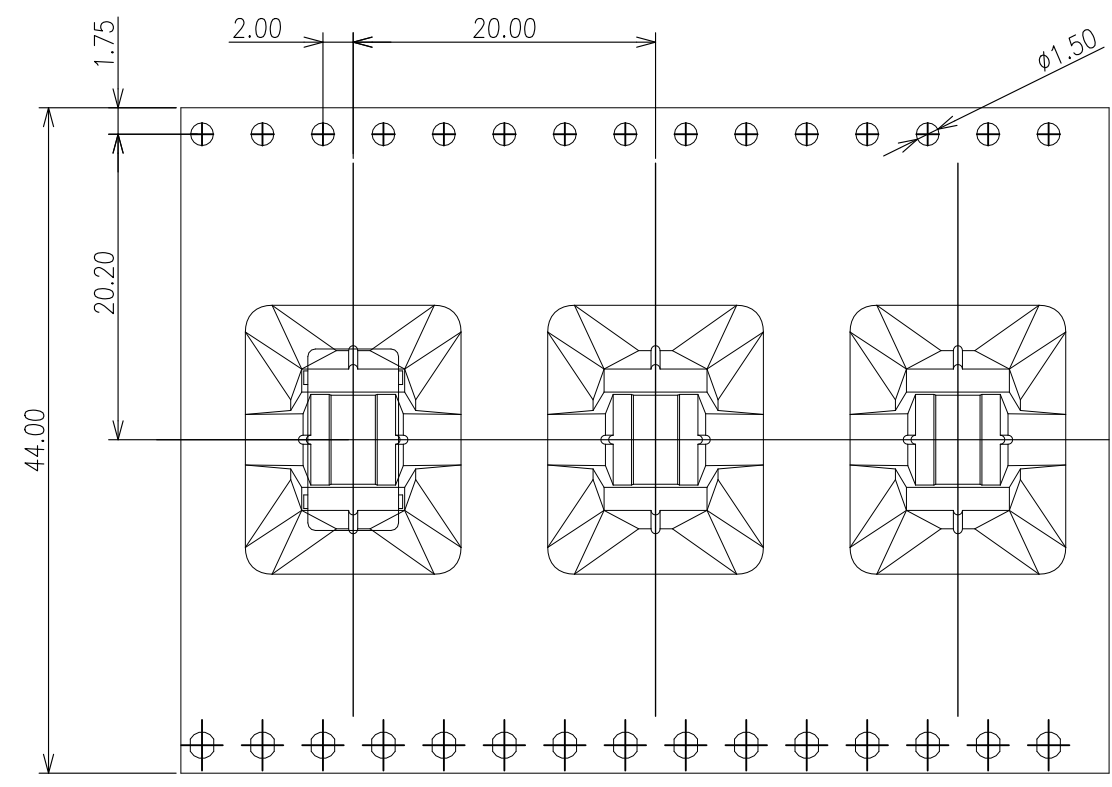
SCALE 1:1

SHEET 2 OF 3

REV A1

© - TE Connectivity. All Rights Reserved.

| REVISIONS | | | | | |
|-----------|-----|-------------|------|-----|------|
| P | LTR | DESCRIPTION | DATE | DWN | APVD |
| - | - | SEE SHEET 1 | - | - | - |



PACKAGING PROCESS

| | | | | | |
|---|--|------------------|--|-------------------------------------|-----------------|
| THIS DRAWING IS A CONTROLLED DOCUMENT. | | DWN - | | TE Connectivity Ltd. | |
| DIMENSIONS: mm | | CHK - | | | |
| TOLERANCES UNLESS OTHERWISE SPECIFIED: | | APVD - | | NAME | |
| 0 PLC ± - 1 PLC ± - 2 PLC ± 0.15 3 PLC ± - 4 PLC ± - ANGLES ± 1° | | PRODUCT SPEC - | | USB TYPE C RECEPTABLE VERTICAL TYPE | |
| MATERIAL SEE NOTE | | FINISH SEE NOTE | | APPLICATION SPEC - | |
| | | WEIGHT - | | SIZE A3 | CAGE CODE 00779 |
| | | CUSTOMER DRAWING | | DRAWING NO C-2337857 | RESTRICTED TO - |
| | | SCALE 1:1 | | SHEET 3 OF 3 | REV A1 |