

HC-STA-B06-SHWSC-2SSM32-ELC-AL - Housing



1082576

<https://www.phoenixcontact.com/us/products/1082576>

Please be informed that the data shown in this PDF document is generated from our online catalog. Please find the complete data in the user documentation. Our general terms of use for downloads are valid.



Box mounting bases B6, with single locking latch, material: Die-cast aluminum, salt water resistant, protective cover material: PC, cable outlets: 2, lateral, 2x M32, height: 74.8 mm, cable gland: none, protective cover: yes, Standard

Your advantages

- Good shielding in the event of electromagnetic interference

Commercial data

Item number	1082576
Packing unit	1 pc
Minimum order quantity	1 pc
Sales key	BF56
Product key	BF7APB
Catalog page	Page 599 (C-2-2019)
GTIN	4055626816159
Weight per piece (including packing)	296.9 g
Weight per piece (excluding packing)	22.22 g
Customs tariff number	85389099
Country of origin	CN

HC-STA-B06-SHWSC-2SSM32-ELC-AL - Housing



1082576

<https://www.phoenixcontact.com/us/products/1082576>

Technical data

Notes

General	For contact inserts HC-B6, BB10, DD24, M Tall housings for extra large wiring space
---------	-------------------------------------------------------------------------------------

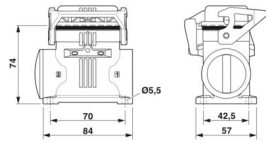
Product properties

Product type	Housing with locking latch
Housing type	Box mounting bases
Application	Standard
Type	B6
No. of cable outlets	2
Type of the screw connection	2x M32
Type	Tall design
Protective cover	yes
Cable outlet	lateral
Pg screw connection	none

Data management status

Article revision	03
------------------	----

Dimensions

Dimensional drawing	
Width	52 mm
Height	74.8 mm
Length	84 mm
Hole diameter	5.5 mm

Material specifications

Flammability rating according to UL 94	V0 (Interlock) V0 (Protective cover)
Seal material	NBR, conductive
Housing material	Die-cast aluminum, salt water resistant
Housing surface material	uncoated
Material, protective cover	PC
Locking latch material	PA

Mechanical properties

Mechanical data

Type of the screw connection	2x M32
------------------------------	--------

HC-STA-B06-SHWSC-2SSM32-ELC-AL - Housing



1082576

<https://www.phoenixcontact.com/us/products/1082576>

Locking type	Latch
--------------	-------

Connection data

Tightening torque	2 Nm ... 3 Nm (for M5 mounting screws on the surface-mount housing)
-------------------	---------------------------------------------------------------------

Mounting

Thread type	()
Assembly note	One opening is sealed with a plastic filler plug and can be opened using a screwdriver.

Environmental and real-life conditions

Ambient conditions

Degree of protection	IP66 (with closed protective cover)
	IP67 (when plugged in)
Enclosure rating (NEMA)	4 (UL 50e)
	4X (UL 50e)
	12 (UL 50e)
Impact strength	IK08
Ambient temperature (operation)	-40 °C ... 125 °C

HC-STA-B06-SHWSC-2SSM32-ELC-AL - Housing

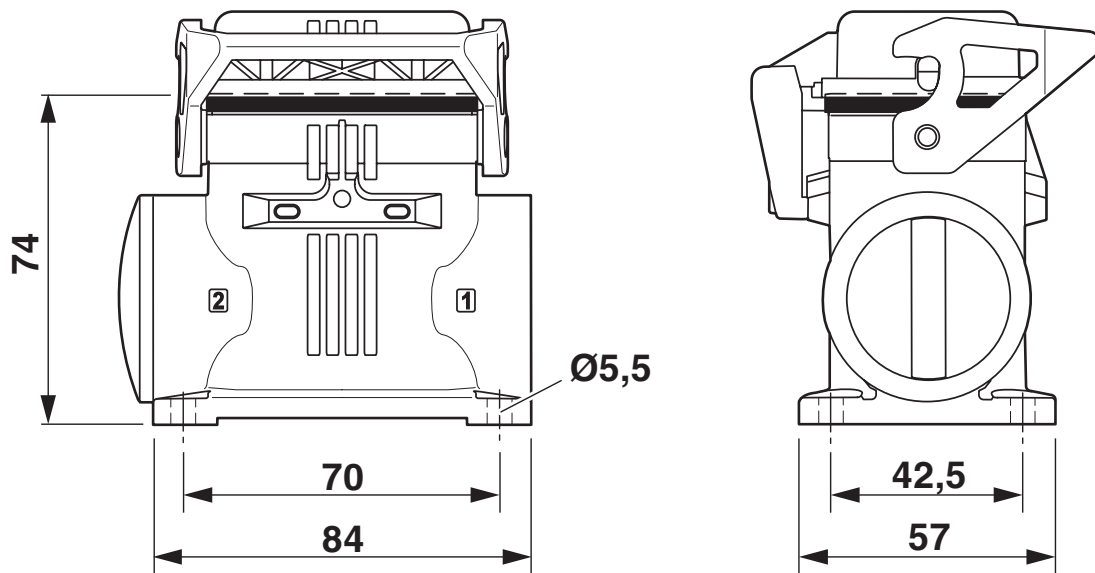


1082576

<https://www.phoenixcontact.com/us/products/1082576>

Drawings

Dimensional drawing



Dimensional drawing

1082576

<https://www.phoenixcontact.com/us/products/1082576>

Approvals

To download certificates, visit the product detail page: <https://www.phoenixcontact.com/us/products/1082576>

DNV

Approval ID: TAE000037S



EAC

Approval ID: RU C-DE.BL08.B.00511



cUL Recognized

Approval ID: E255026



UL Recognized

Approval ID: E255026

cULus Recognized

1082576

<https://www.phoenixcontact.com/us/products/1082576>

Classifications

ECLASS

ECLASS-11.0	27440202
ECLASS-12.0	27440202
ECLASS-13.0	27440202

ETIM

ETIM 9.0	EC000437
----------	----------

UNSPSC

UNSPSC 21.0	31261500
-------------	----------

1082576

<https://www.phoenixcontact.com/us/products/1082576>

Environmental product compliance

EU RoHS

Fulfills EU RoHS substance requirements	Yes, No exemptions
-----------------------------------------	--------------------

China RoHS

Environment friendly use period (EFUP)	EFUP-E
	No hazardous substances above the limits

EU REACH SVHC

REACH candidate substance (CAS No.)	No substance above 0.1 wt%
-------------------------------------	----------------------------

Phoenix Contact 2024 © - all rights reserved
<https://www.phoenixcontact.com>

Phoenix Contact USA
586 Fulling Mill Road
Middletown, PA 17057, United States
(+717) 944-1300
info@phoenixcon.com