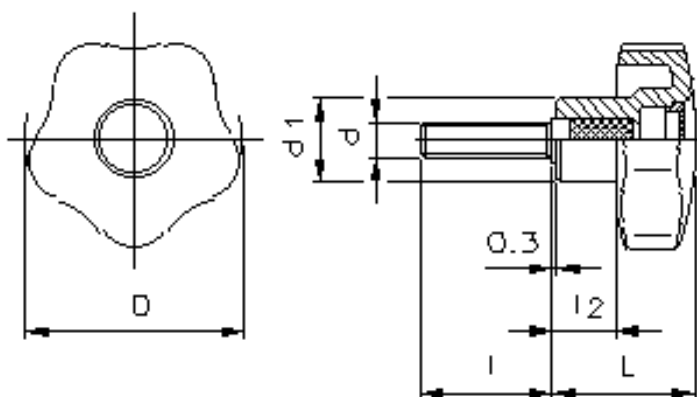


# VCT.p

ELESA original design

Lobe knobs



Standard Elessa		Main dimensions				Threaded stud		Weight
Code	Description	D	L	d1	l2	d6g	l	grams
69821	VCT.25p-M5x10	25	19	13	8	M5	10	7
69822	VCT.25p-M5x16	25	19	13	8	M5	16	8
69823	VCT.25p-M5x20	25	19	13	8	M5	20	9
69831	VCT.25p-M6x10	25	19	13	8	M6	10	8
69832	VCT.25p-M6x16	25	19	13	8	M6	16	9
69833	VCT.25p-M6x20	25	19	13	8	M6	20	10
69834	VCT.25p-M6x30	25	19	13	8	M6	30	12
69851	VCT.32p-M6x16	32	23	15	10	M6	16	13
69852	VCT.32p-M6x20	32	23	15	10	M6	20	14
69854	VCT.32p-M6x30	32	23	15	10	M6	30	16
69861	VCT.32p-M8x20	32	23	15	10	M8	20	18
69863	VCT.32p-M8x30	32	23	15	10	M8	30	21

69865	VCT.32p-M8x40	32	23	15	10	M8	40	24
69901	VCT.40p-M6x20	40	27	17	12	M6	20	18
69903	VCT.40p-M6x30	40	27	17	12	M6	30	20
69911	VCT.40p-M8x16	40	27	17	12	M8	16	23
69913	VCT.40p-M8x25	40	27	17	12	M8	25	26
69915	VCT.40p-M8x35	40	27	17	12	M8	35	28
69917	VCT.40p-M8x45	40	27	17	12	M8	45	32
69961	VCT.50p-M8x20	50	32	19	14	M8	20	28
69963	VCT.50p-M8x30	50	32	19	14	M8	30	31
69965	VCT.50p-M8x40	50	32	19	14	M8	40	33
69971	VCT.50p-M10x20	50	32	19	14	M10	20	36
69973	VCT.50p-M10x30	50	32	19	14	M10	30	41
69975	VCT.50p-M10x40	50	32	19	14	M10	40	46
69977	VCT.50p-M10x50	50	32	19	14	M10	50	51
70021	VCT.63p-M10x20	63	37	22	16	M10	20	54
70023	VCT.63p-M10x30	63	37	22	16	M10	30	59
70025	VCT.63p-M10x40	63	37	22	16	M10	40	64
70027	VCT.63p-M10x50	63	37	22	16	M10	50	69
70032	VCT.63p-M12x30	63	37	22	16	M12	30	67
70036	VCT.63p-M12x50	63	37	22	16	M12	50	79

Special black matte finish, high impact strength technopolymer. Resistant to solvents, oils, greases and other chemical agents. Special black technopolymer [centre cap](#). Can be supplied in other colours (Ø from 32 to 63 mm) or personalised with marks and words on request and for sufficient quantities.

Zinc-plated [steel stud](#) with chamfered flat end as in [UNI 947:ISO 4753](#).

The special type of technopolymer used and matte finish make this knob elegant and soft to touch. The operator obtains a strong clamping action without any discomfort due to its ergonomic design: five lobes, blended radius and well-proportioned rim height assure a natural, safe and comfortable grip.

The [coloured centre caps](#) are also available as accessories sold separately.

---

**ELESA** models - all rights reserved in accordance with the law. Always mention the source when reproducing our drawings.  
Copyright © 2000 - 2003 Elesa.