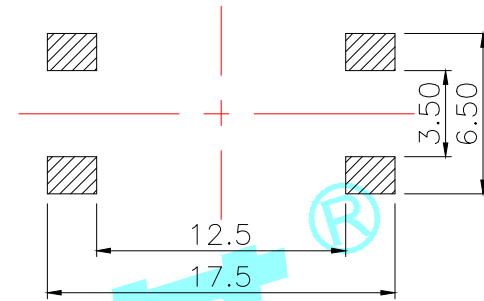
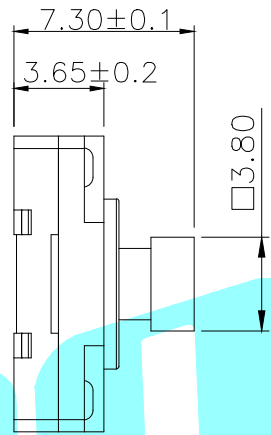
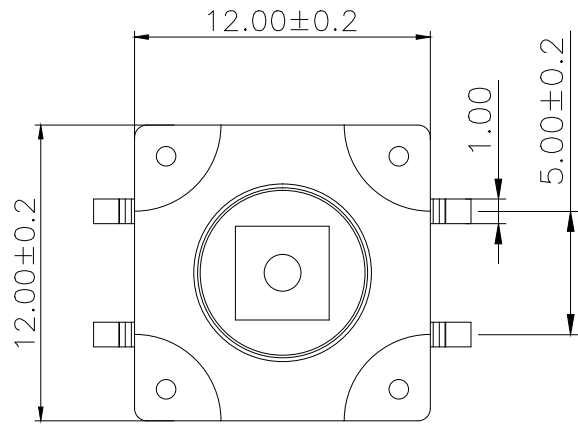
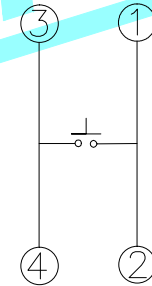
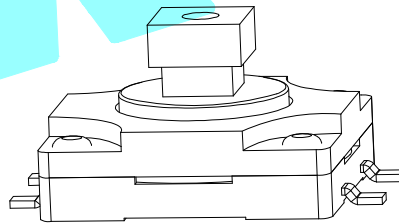
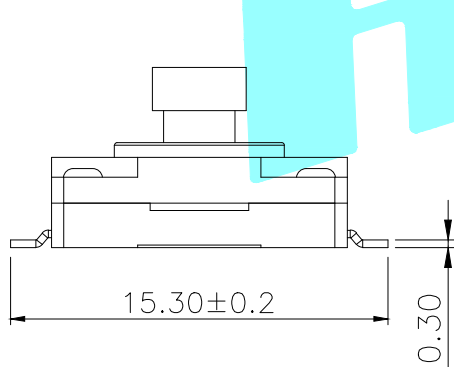


ROHS



PCB Layout (Pattern side)



Circuit Diagram

NO.1-NO.2	
PART NO	NOTE
01~99	SERIAL NUMBER

Typical Specifications  
 1. Rating : DC 12V 50mA  
 2. Operating Force: 250±40gf  
 3. Life : 100,000 Cycles  
 4. Travel: 0.45±0.1mm  
 5. IP Rating: IP67

⑥	Waterproof Silicone	—	1	Silica gel	—	—
⑤	Terminal	—	4	Brass(0.3t)	Plating silver	—
④	Contact	—	1	F.Ag/SUS	—	—
③	Base	—	1	PPA	Black	—
②	Cover	—	1	PPA	—	—
①	Keystoke	—	1	PPA	Black	—
ITEM	PART NAME	TER'NO.	QTY.	MATERIAL	FINISHING	REMARK

APPROVALS		DATE		 ELECTRONICS CO.,LTD			
DRAWN	LIUCAN	2021.5.17					
CHECKED				TITLE: TACT SWITCHS			
APPROVALS				PART NO. K2-1841ST-A4SW-□□			
TOLERANCES ARE		30~以上 ±0.30	±0.20	ANGLE	UNIT: mm	SCALE: 1:1	PROJ:
		10~30 ±0.15	±0.10		±2'	DRAWING NO.	

—	A	—	NEW	—	—	—
ECN NO.	REV.	DATE.	DESCRIPTION.	CHANGE.	CHECK.	APPRO.