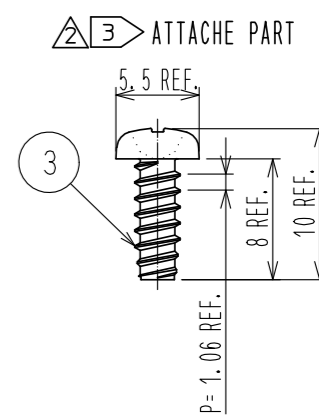
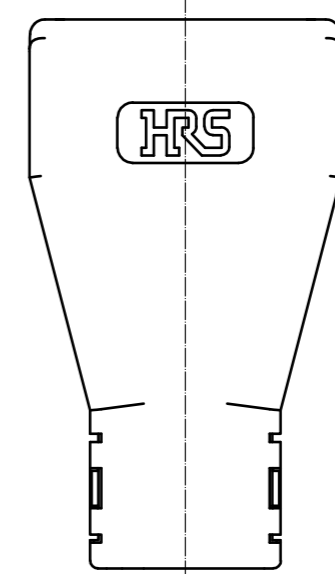
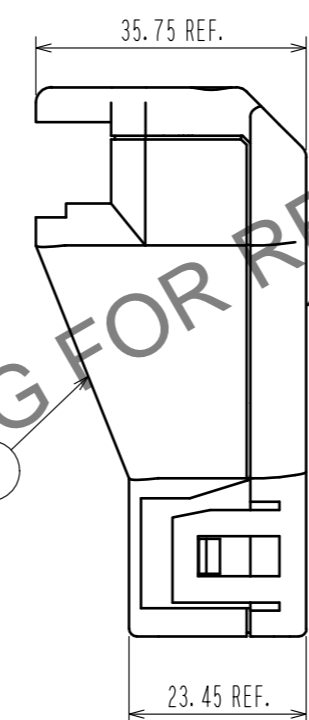
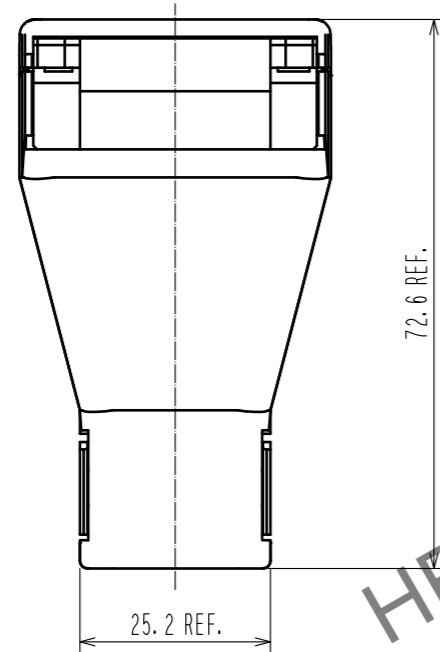
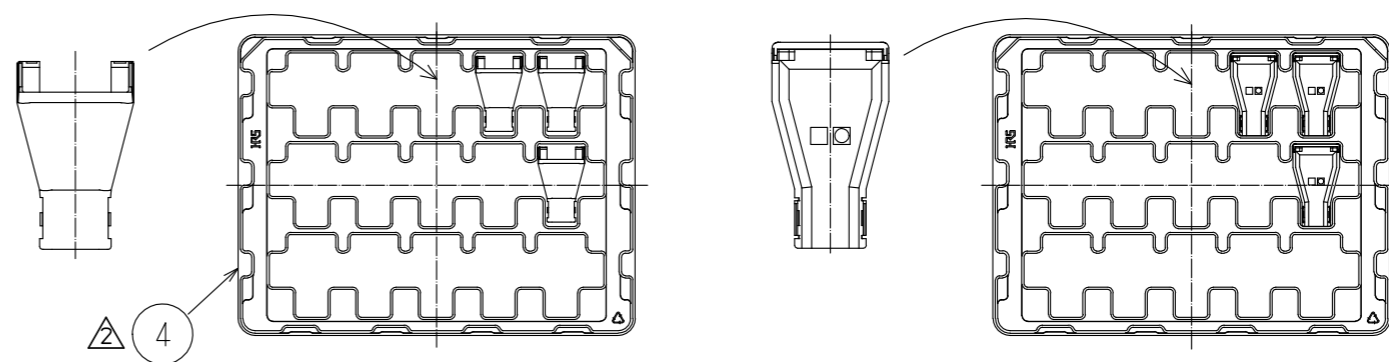
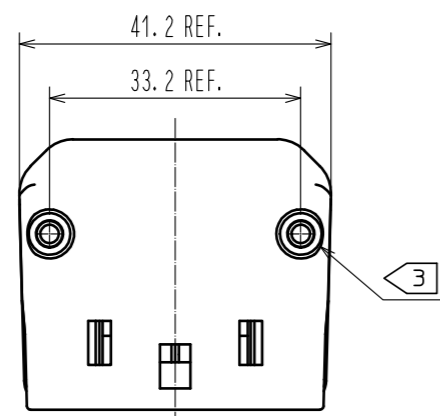


May.1.2024 Copyright 2024 HIROSE ELECTRIC CO., LTD. All Rights Reserved.
In case of consideration for using Automotive equipment / device which demand high reliability, kindly contact our sales window correspondents.



HRS DRAWING FOR REFERENCE

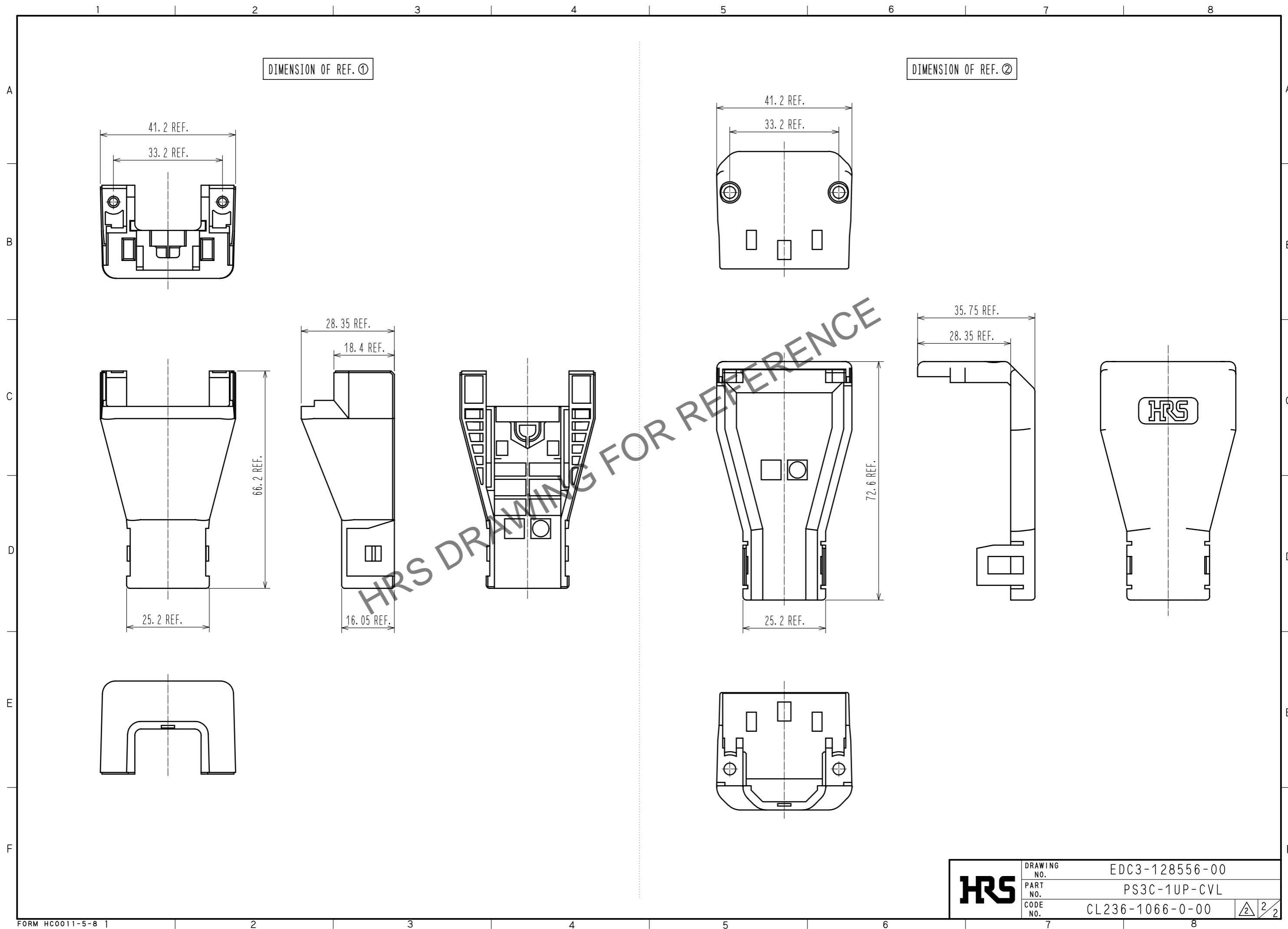
NOTE 1. PLEASE USE THIS PRODUCT FOR PS3C-A-1UP(CCL236-1064-5-00) OR PS3C-B-1UP(CCL236-1065-8-00).

② THE SALES UNIT IS ONE PIECE AND ONE BOX IS 30 PIECES.
PLEASE YOUR ORDER IN UNIT OF 30 PIECES.
PLEASE REFER ETAP-E3129.

③ PLEASE USE THE SELF-TAPPING SCREW FOR FIXING REF. ① AND REF. ②.
IN CASE OF LOSING SELF-TAPPING SCREWS, PLEASE ORDER THEM IN PS3C-1UP-TS(CCL236-1068-6).
-RECOMMENDED SELF-TAPPING SCREW: JIS B 1122 3×8 STYLE 2
-RECOMMENDED TIGHTENING TORQUE: 0.53 TO 0.66 N · m

2	PBT	BLACK	UL94V-0	④	PP		
1	PBT	BLACK	UL94V-0	③	STEEL	Ni PLATING	
NO.	MATERIAL	FINISH	REMARKS	NO.	MATERIAL	FINISH	REMARKS
UNITS	mm	SCALE	1 : 1	COUNT	④ 7	DESCRIPTION OF REVISIONS	DIS-E-0000029
		DESIGNED	WR. YAMADA	CHECKED	NM. NISHIMATSU	DATE	15.02.19
		APPROVED	NM. NISHIMATSU	14.07.23	DRAWING NO. EDC3-128556-00		
		CHECKED	NM. NISHIMATSU	14.07.23	PART NO. PS3C-1UP-CVL		
		DESIGNED	WR. YAMADA	14.07.22	CODE NO. CL236-1066-0-00		
		DRAWN	WR. YAMADA	14.07.22	② 1/2		

May.1.2024 Copyright 2024 HIROSE ELECTRIC CO., LTD. All Rights Reserved.
In case of consideration for using Automotive equipment / device which demand high reliability, kindly contact our sales window correspondents.



HRS	DRAWING NO.	EDC3-128556-00
	PART NO.	PS3C-1UP-CVL
	CODE NO.	CL236-1066-0-00
		2/2