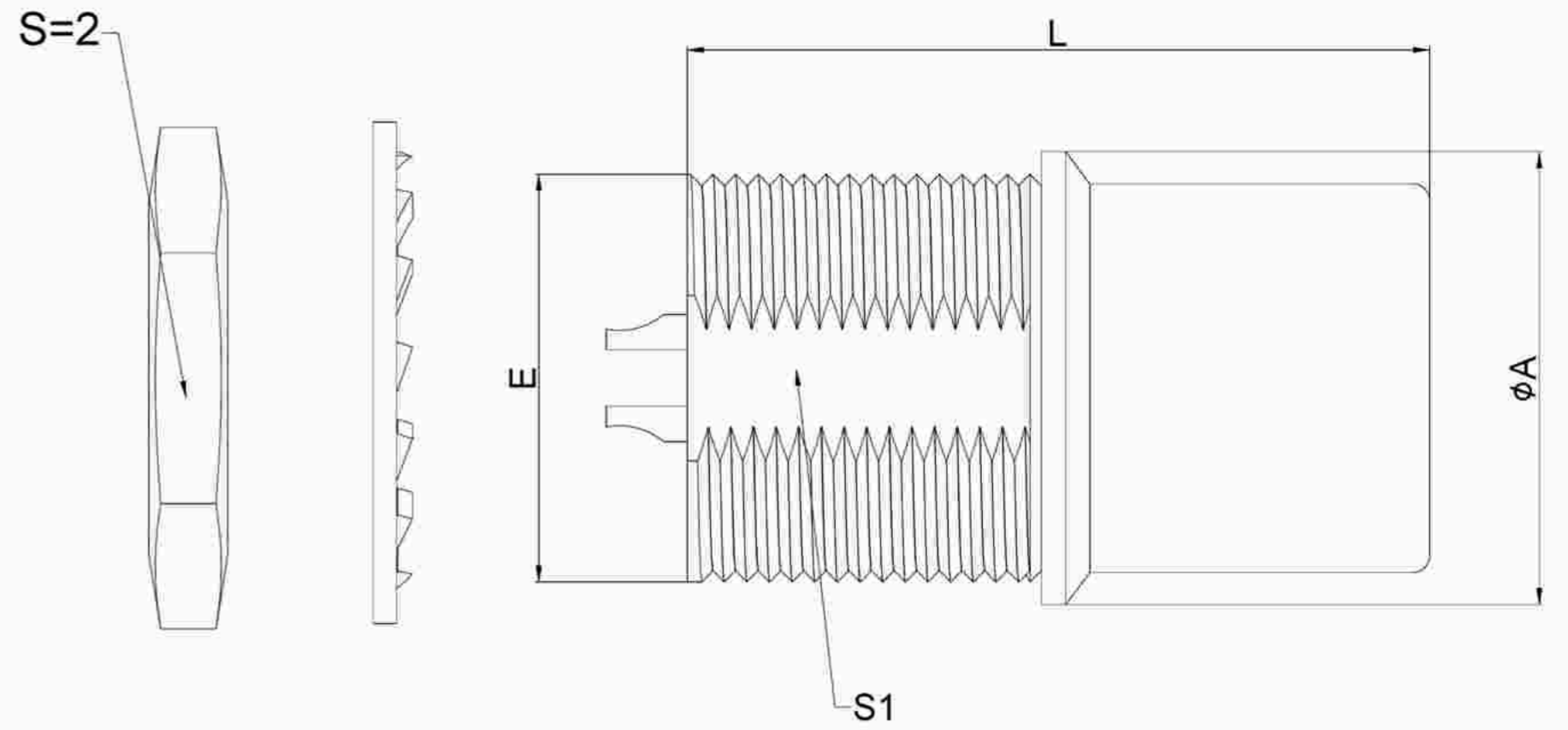


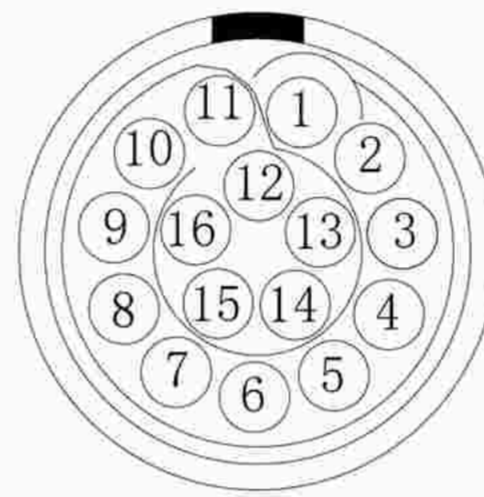
1.View and size(视图及尺寸)

Main technical indicators(主要技术指标)	
1.Mating (插拔次数)	5000
2.Working Temperature (温度)	-55~+150 °C
3.IP Rating (防护级别)	IP 50
4.Diameter of socket end(插合端直径)	φ0.9
5.Testing Voltage (测试电压)	1200V
6.Working Voltage (工作电压)	850V
7.Rated Current (额定电流)	8A
8.Shell material(壳体材质)	Brass (chromium plating)/(nickel plating) fixation ring/黄铜(镀铬)/(镀镍)固定圈
9.Pin Material(插针材料)	Copper alloy gold plating(铜合金镀金)
10.Insulator material(绝缘体材质)	L:PPS P:PEEK

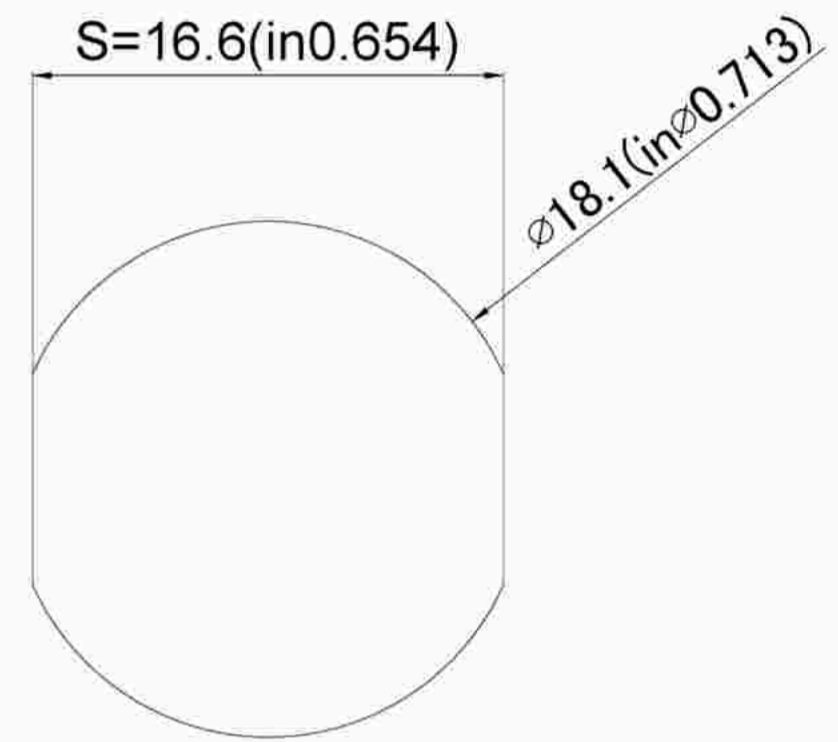


	A	E	L	S1	S2
MM	φ22	M18*1	25	16.5	22
in	φ0.87		0.98	0.65	0.87

Sum up(总结)	
Series(系列)	B
Shell style/model (外壳样式/型号)	ZHG:Protruded housing with a nut (rear fixed)凸出式外壳 带有一个螺母(后固定)
Button (按键)	A button(一个按键)
Termination type (终止类型)	Mother solder tin(母焊锡)
Line diameter awg(线材直径)	30-22AWG
Cable diameterφ (电缆直径)	φ4.3-11.9MM
Match plug(匹配插头)	TGG.3B.P16.CXAD92H

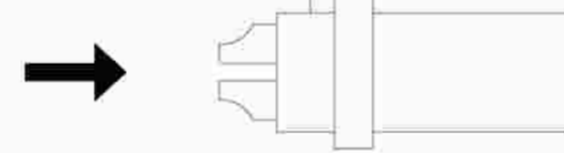


Welded surface (焊接面)

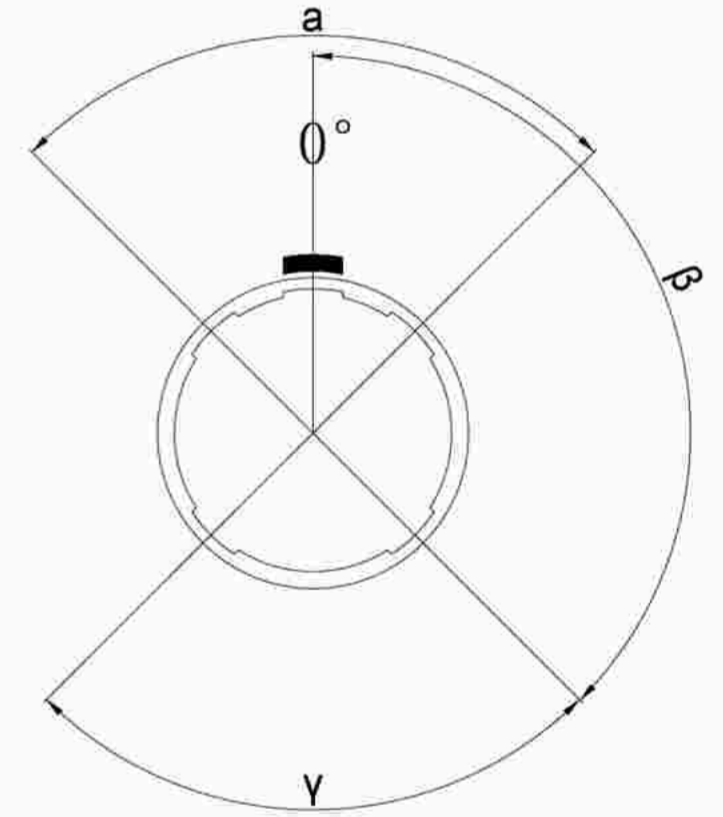


Pane hole size (面板开孔尺寸)

Location pin combination(定位销组合)			
(编号) Number	Number of positioning pins(定位销数量)	Angle(角度)	Series(系列)--3B
G	One(1)		(Zero degrees)0°
A	Two(2)	A	Thirty degrees(30°)
B	Two(2)		Forty-five degrees(45°)
C	Two(2)		Sixty degrees(60°)
D	Two(2)	γ	95 degrees (95°)
E	Two(2)	β	120 degrees(120°)
F	Two(2)		145 degrees(145°)
J	Two(2)	A	37.5degrees(37.5°)
K	Two(2)		52.5degrees(52.5°)
L	Two(2)		γ



(Welded mother adhesive core) 焊接型母胶芯



Positive view of the socket (插座正视图)

	A	B	C√	ANGLE	
5-10	±0.02	±0.05	±0.1	0°-30°	±0.1°
50-100	±0.1	±0.15	±0.2	61°-90°	±0.5°
50-100	±0.15	±0.2	±0.25		
100-	±0.15%	±0.20%	±0.25%		

ZH G.3B.P16.C X L

- Model(型号)
- Positioning pin(定位销)
- Series(系列)
- Needle core configuration(针芯配置)
- Outer casing(外壳)
- Insulator(绝缘体)
- Needle core(针芯)

DESIGNED(设计)
广东星坤科技股份有限公司
 CHECKED(校对)
 APPROVED(审核)
生效
 REVISIONS
文件工程章

DATE(日期)
 DATE(日期)
 DATE(日期)
 MATERIAL (材料)
 SCALE(比额)
 VIEW(视图)
 UNIT(单位)
 N/A(不适用)

 MM
 MODEL TYPE
 型号类型: ZHG.3B.P16.CXL
 PART NO. 3B16 core socket
 名称: 3B16芯插座
 DWG NO.:
 WEIGHT(重量) SHEET(表) REVISION(修订)
 1/1 A0
KKB INDUSTRIAL PRECISION CO.,LIMITED

MODEL TYPE
 型号类型: ZHG.3B.P16.CXL
 PART NO. 3B16 core socket
 名称: 3B16芯插座
 DWG NO.:
 WEIGHT(重量) SHEET(表) REVISION(修订)
 1/1 A0