

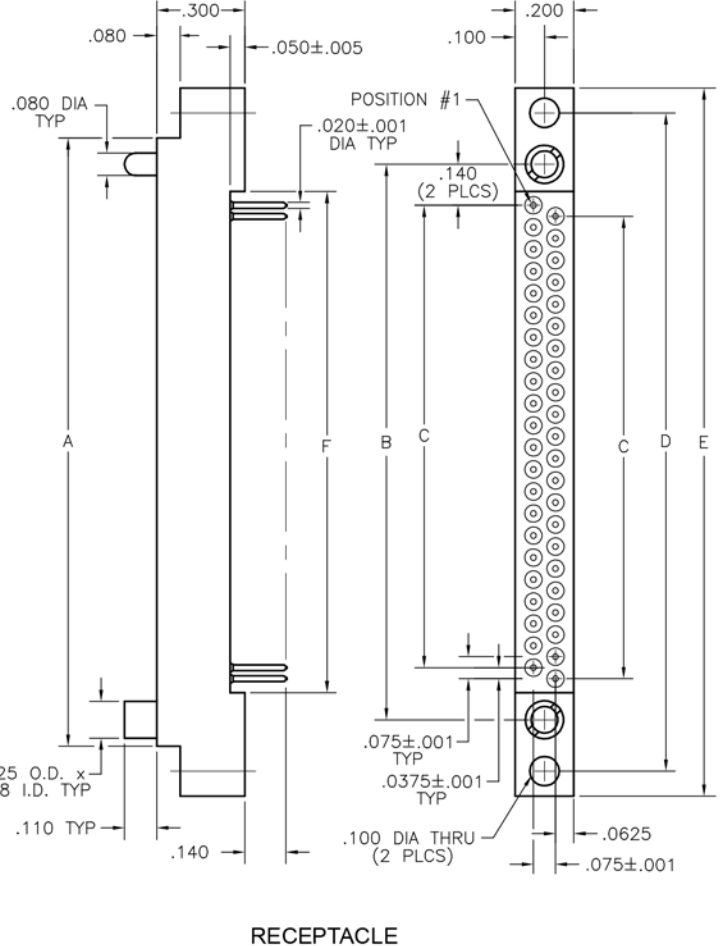
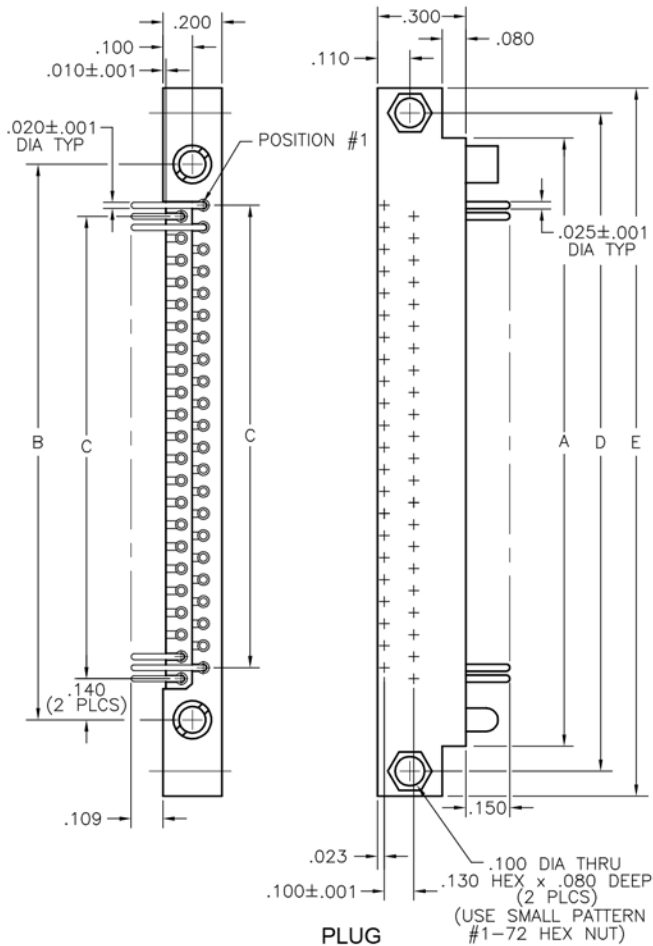
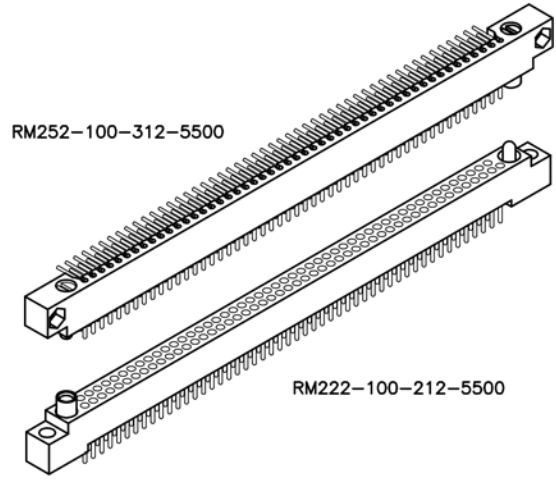


2 · ROW Daughterboard to Motherboard or Chassis

.075"

RM2

10 thru 100 Contacts



DIMENSIONS						
SIZE	A	B	C	D	E	F
10	.797	.617	.300	.967	1.137	.420
20	1.172	.992	.675	1.342	1.512	.795
30	1.547	1.367	1.050	1.717	1.887	1.170
40	1.922	1.742	1.425	2.092	2.262	1.545
50	2.297	2.117	1.800	2.467	2.637	1.920
60	2.672	2.492	2.175	2.842	3.012	2.295
70	3.047	2.867	2.550	3.217	3.387	2.670
80	3.422	3.242	2.925	3.592	3.762	3.045
90	3.797	3.617	3.300	3.967	4.137	3.420
100	4.172	3.992	3.675	4.342	4.512	3.795