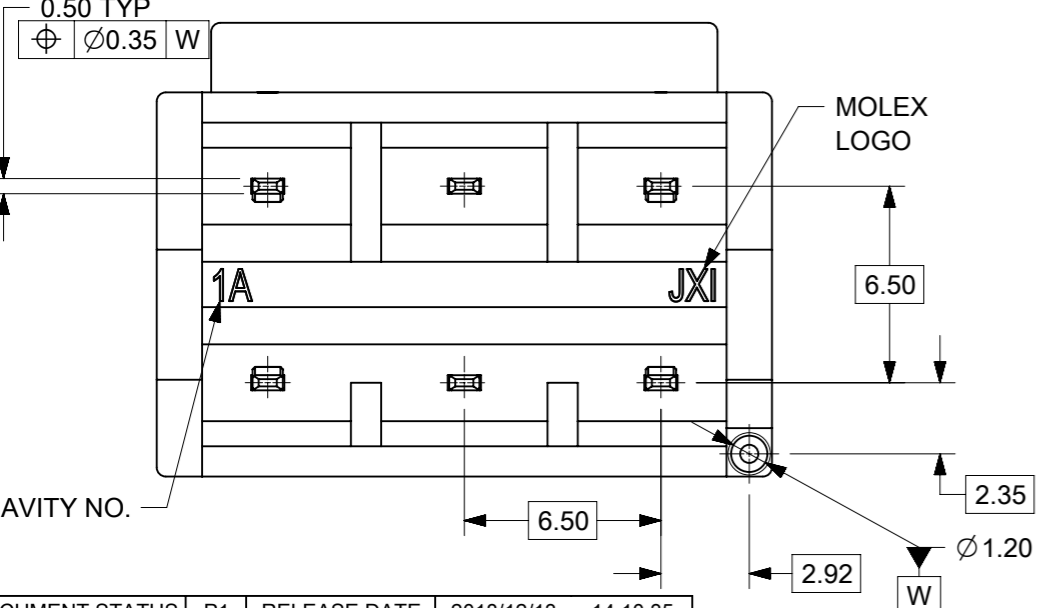
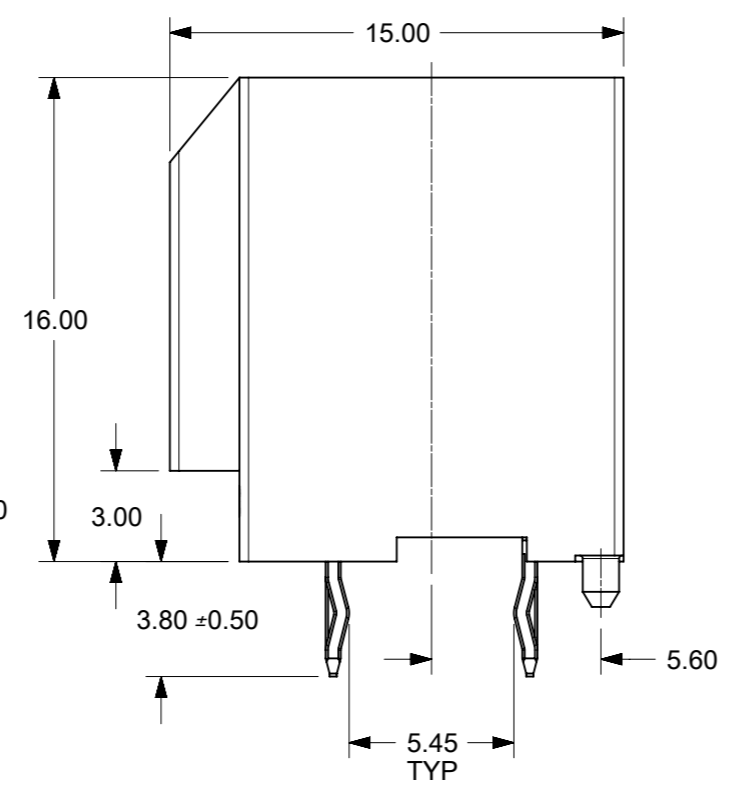
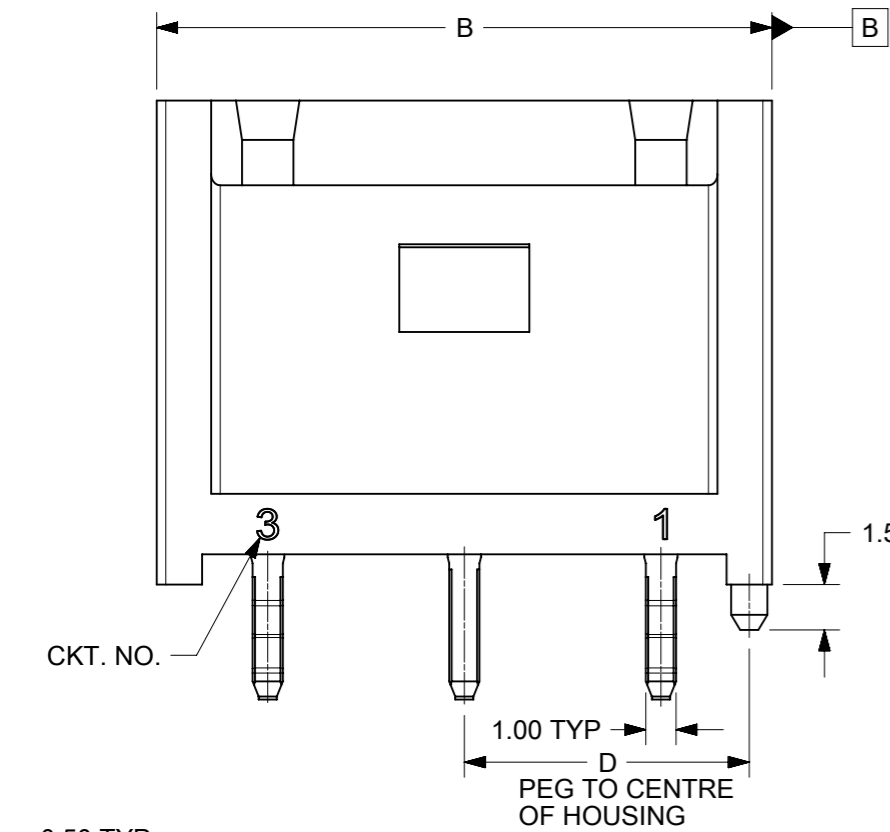


RECOMMENDED PCB BOARD HOLE DIMENSION  
(MOUNTING SIDE, THICKNESS: 1.60mm)

- NOTES:
- MATERIALS:  
HOUSING: POLYAMIDE(PA), GLASS FILLED, UL94-0  
TERMINAL: COPPER ALLOY
  - FINISHES:  
TERMINAL: 1.27µM MIN MATTE TIN OVER 1.27µM MIN NICKEL UNDERPLATE.
  - PRODUCT SPECIFICATION: PS-151048-0001
  - PACKAGING SPECIFICATION: REFER TO TABLE
  - REFER TO COSMETIC SPECIFICATION: PS-45499-002(CLASS B)
  - MATES WITH: 151049 SERIES



2	-	7.34	7.34	2.92	REFER TO PAGE 2
4	6.50	13.84	10.74	6.17	REFER TO PAGE 3
6	13.00	20.34	16.74	9.42	REFER TO PAGE 4
CKT. NO.	A	B	C	D	MATERIAL PART NO.

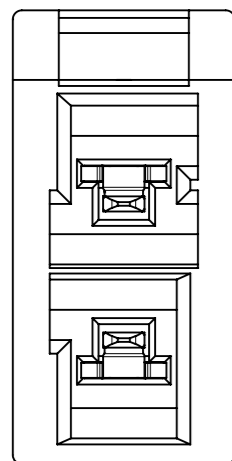
THIS DRAWING CONTAINS INFORMATION THAT IS PROPRIETARY TO MOLEX ELECTRONIC TECHNOLOGIES, LLC AND SHOULD NOT BE USED WITHOUT WRITTEN PERMISSION					
DIMENSION UNITS	SCALE	CURRENT REV DESC: P/N ADDED			
mm	4:1	<p>SALES DRAWING 6.5 HEADER ASSY WIRE TO BOARD CONNECTOR</p> <p>PRODUCT CUSTOMER DRAWING</p>			
GENERAL TOLERANCES (UNLESS SPECIFIED)					
ANGULAR TOL	± 3.0°				
4 PLACES	±				
3 PLACES	±				
2 PLACES	± 0.2	INITIAL REVISION:		DOCUMENT NUMBER	DOC TYPE
1 PLACE	±	DRWN: EANG 2014/03/13		SD-151048-0001	PSD
0 PLACES	±	APPR: KHLIM 2015/07/22		001	A1
DRAFT WHERE APPLICABLE MUST REMAIN WITHIN DIMENSIONS		THIRD ANGLE PROJECTION	DRAWING	SERIES	MATERIAL NUMBER
			A3-SIZE	151048	SEE TABLE
		CUSTOMER	SHEET NUMBER		
		GENERAL MARKET	1 OF 4		

HEADER ASSY WITH POLARIZATION FEATURES AND COLORS 2CKTS

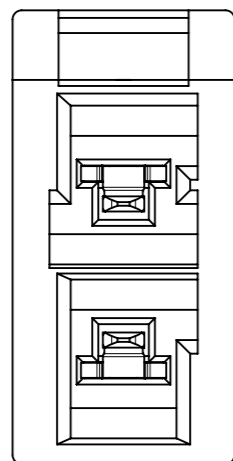
PART NO. LEGEND

151048- X X XX

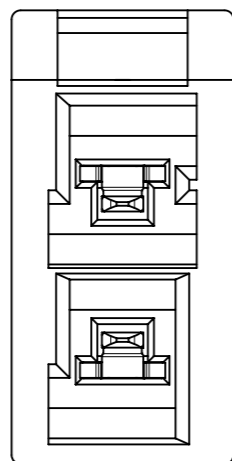
COLOR AND POLARIZATION  
CKT NO.  
PACKAGING (TRAY)  
AND OTHERS



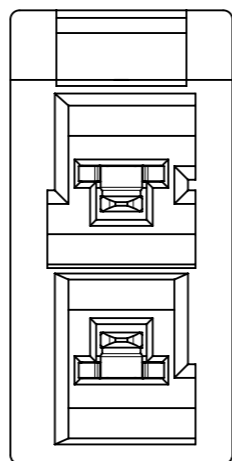
1 151048\*200  
ORANGE



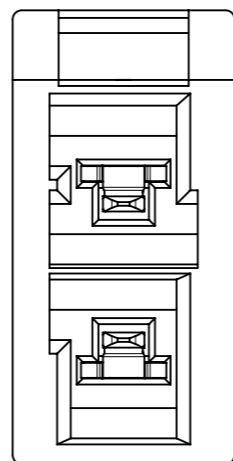
2 151048\*201  
BLUE



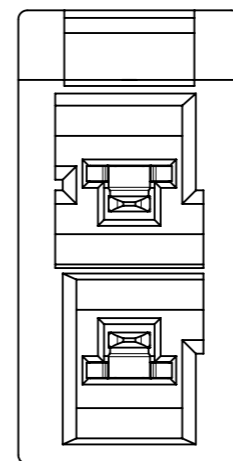
3 151048\*202  
GREY



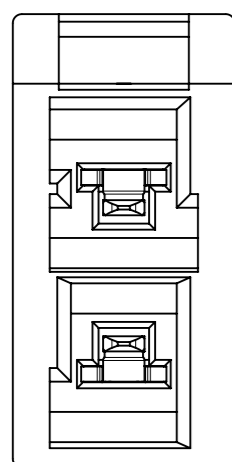
4 151048\*203  
YELLOW



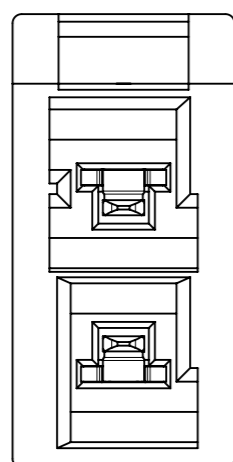
5 151048\*204  
PURPLE



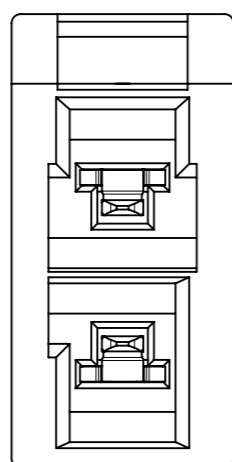
6 151048\*205  
PINK



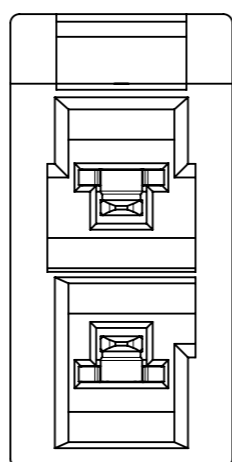
7 151048\*206  
BLACK



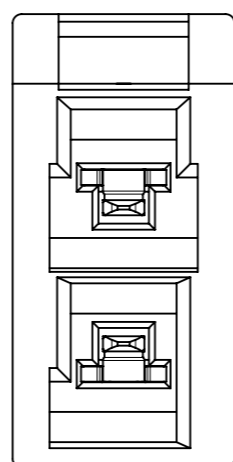
8 151048\*207  
GREEN



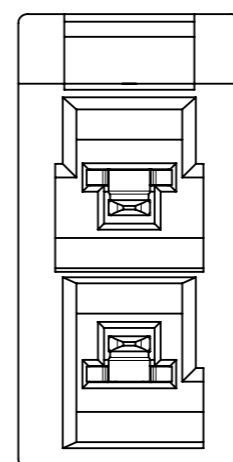
9 151048\*208  
BROWN



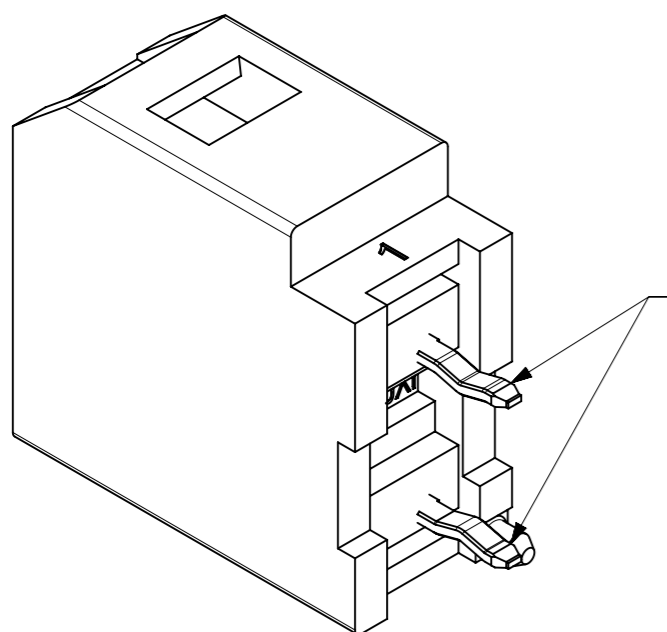
10 151048\*209  
RED



11 151048\*210  
MINT



12 151048\*211  
NATURAL(WHITE)



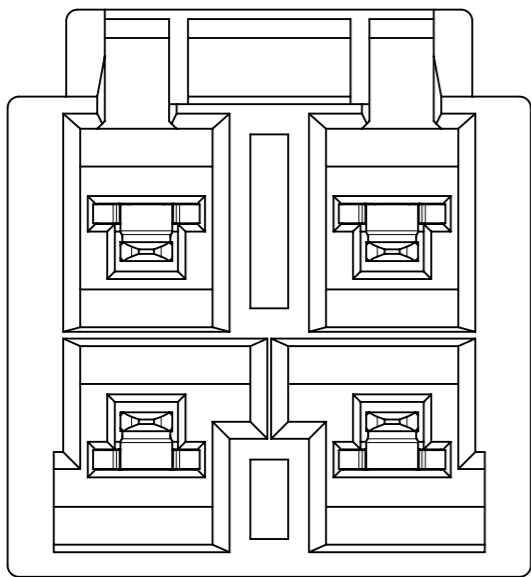
WITH KINK

CONFIG	ASSEMBLY	COLOR	STANDARD COLOR	CUSTOM COLOR	PACKAGING
1	1510482200	ORANGE	*		PK-151048-0001 (TUBE)
2	1510482201	BLUE	*		
3	1510482202	GREY		*	
4	1510482203	YELLOW	*		
5	1510482204	PURPLE		*	
6	1510482205	PINK		*	
7	1510482206	BLACK	*		
8	1510482207	GREEN		*	
9	1510482208	BROWN		*	
10	1510482209	RED	*		
11	1510482210	MINT		*	
12	1510482211	NATURAL (WHITE)	*		

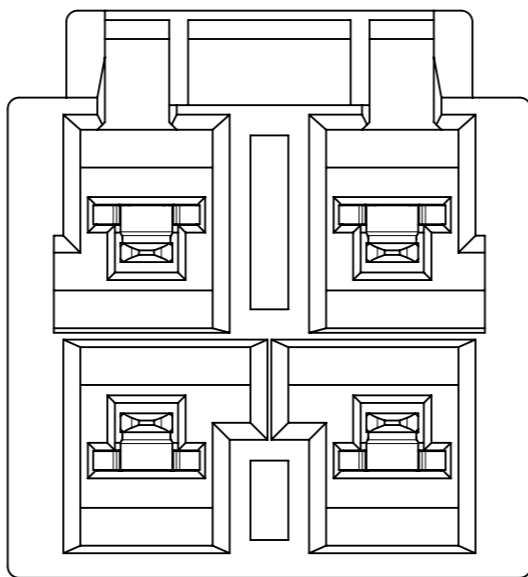
CONFIG	ASSEMBLY	COLOR	STANDARD COLOR	CUSTOM COLOR	PACKAGING
1	1510481200	ORANGE	*		PK-151048-0002 (TRAY)
2	1510481201	BLUE	*		
3	1510481202	GREY		*	
4	1510481203	YELLOW	*		
5	1510481204	PURPLE		*	
6	1510481205	PINK		*	
7	1510481206	BLACK	*		
8	1510481207	GREEN		*	
9	1510481208	BROWN		*	
10	1510481209	RED	*		
11	1510481210	MINT		*	
12	1510481211	NATURAL (WHITE)	*		

THIS DRAWING CONTAINS INFORMATION THAT IS PROPRIETARY TO MOLEX ELECTRONIC TECHNOLOGIES, LLC AND SHOULD NOT BE USED WITHOUT WRITTEN PERMISSION									
DIMENSION UNITS	SCALE	CURRENT REV DESC: P/N ADDED							
mm	4:1								
GENERAL TOLERANCES (UNLESS SPECIFIED)									
ANGULAR TOL	± 3.0°	SALES DRAWING							
4 PLACES	±	6.5 HEADER ASSY WIRE TO BOARD CONNECTOR							
3 PLACES	±	PRODUCT CUSTOMER DRAWING							
2 PLACES	± 0.2	DOCUMENT NUMBER							
1 PLACE	±	SD-151048-0001							
0 PLACES	±	DOC TYPE DOC PART REVISION							
DRAFT WHERE APPLICABLE MUST REMAIN WITHIN DIMENSIONS		THIRD ANGLE PROJECTION	DRAWING	SERIES	MATERIAL NUMBER	CUSTOMER		SHEET NUMBER	
			A3-SIZE	151048	SEE TABLE	GENERAL MARKET		2 OF 4	

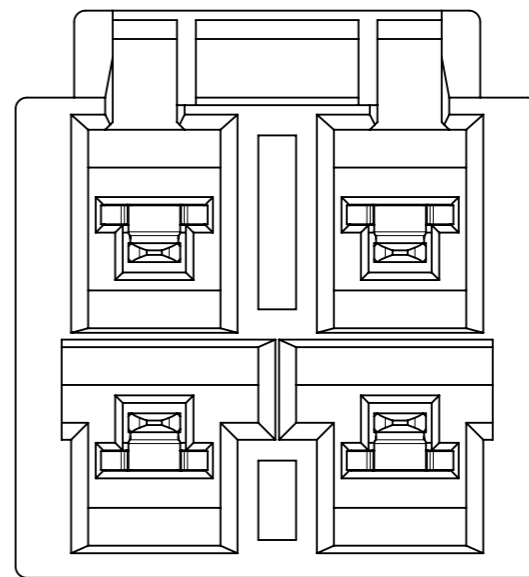
HEADER ASSY WITH POLARIZATION FEATURES AND COLORS 4CKTS



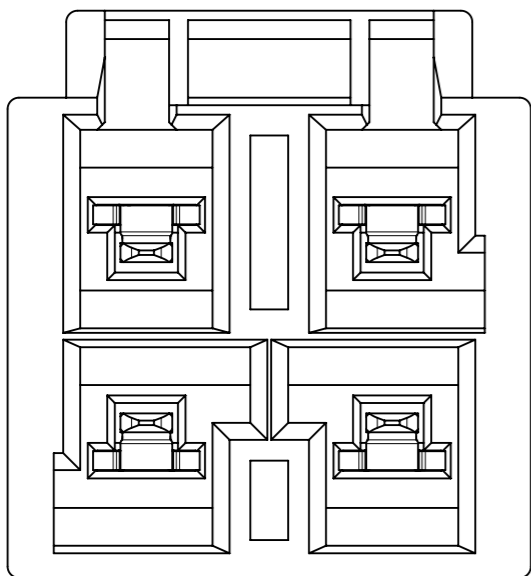
① 151048\*401  
BLUE



② 151048\*406  
BLACK



③ 151048\*411  
NATURAL(WHITE)



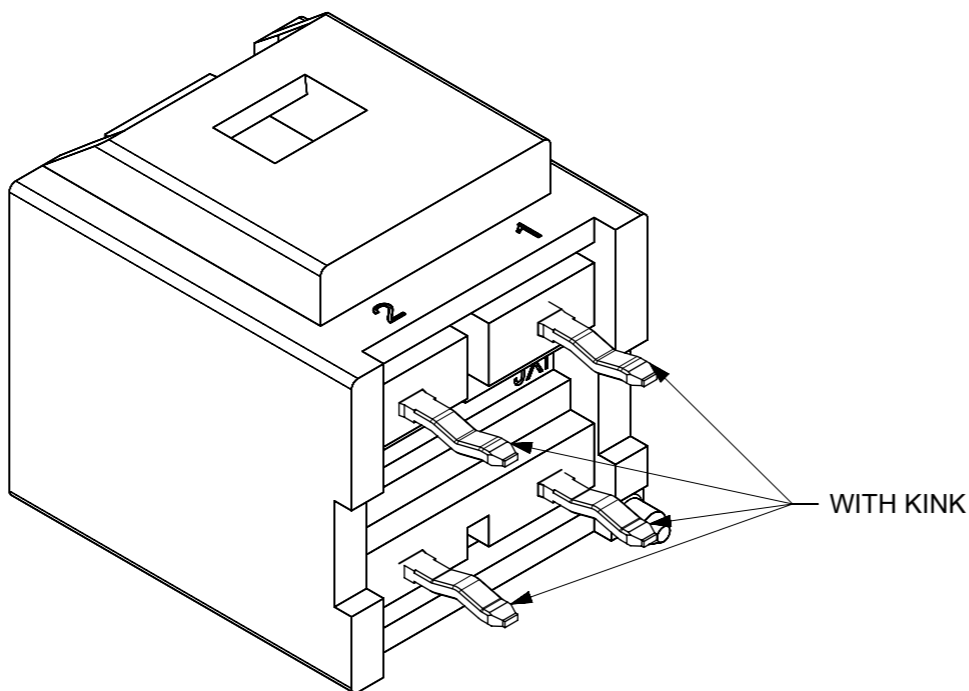
④ 151048\*409 (A1)  
RED

PART NO. LEGEND

151048- X X XX  
 └───┬───┬───  
 COLOR AND POLORIZARION  
 CKT NO.  
 PACKAGING (TRAY)  
 AND OTHERS

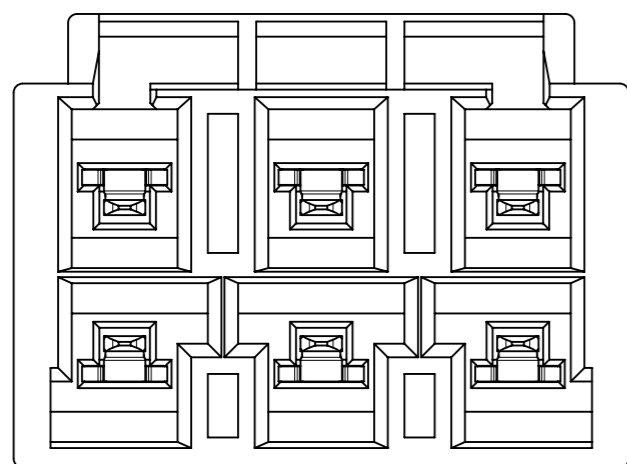
\* UNDER DEVELOPMENT

CONFIG	ASSEMBLY	COLOR	PACKAGING
1	1510481401	BLUE	PK-151048-0002
2	1510481406	BLACK	
3	1510481411	NATURAL (WHITE)	
④ A1 4	1510481409*	RED	

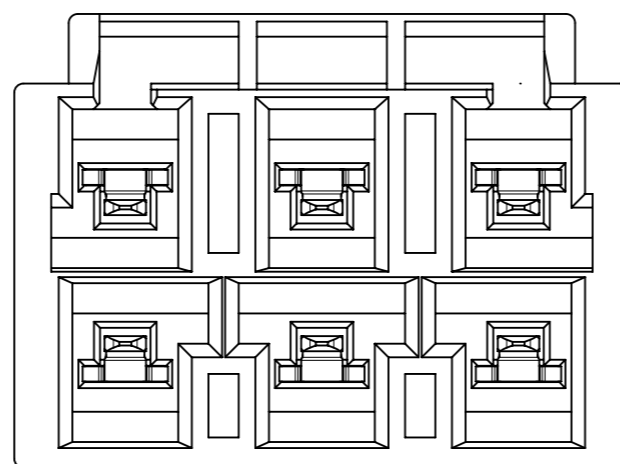


THIS DRAWING CONTAINS INFORMATION THAT IS PROPRIETARY TO MOLEX ELECTRONIC TECHNOLOGIES, LLC AND SHOULD NOT BE USED WITHOUT WRITTEN PERMISSION									
DIMENSION UNITS		SCALE		CURRENT REV DESC: P/N ADDED					
mm		5:1		<p>SALES DRAWING 6.5 HEADER ASSY WIRE TO BOARD CONNECTOR</p> <p>PRODUCT CUSTOMER DRAWING</p>					
GENERAL TOLERANCES (UNLESS SPECIFIED)									
ANGULAR TOL ± 3.0°				INITIAL REVISION:					
4 PLACES ±				DRWN: EANG 2014/03/13					
3 PLACES ±				APPR: KHLIM 2015/07/22					
2 PLACES ± 0.2				DOCUMENT NUMBER					
1 PLACE ±				SD-151048-0001					
0 PLACES ±				DOC TYPE		DOC PART		REVISION	
DRAFT WHERE APPLICABLE MUST REMAIN WITHIN DIMENSIONS				THIRD ANGLE PROJECTION		DRAWING		SERIES	
						A3-SIZE		151048	
				MATERIAL NUMBER		CUSTOMER		SHEET NUMBER	
				SEE TABLE		GENERAL MARKET		3 OF 4	

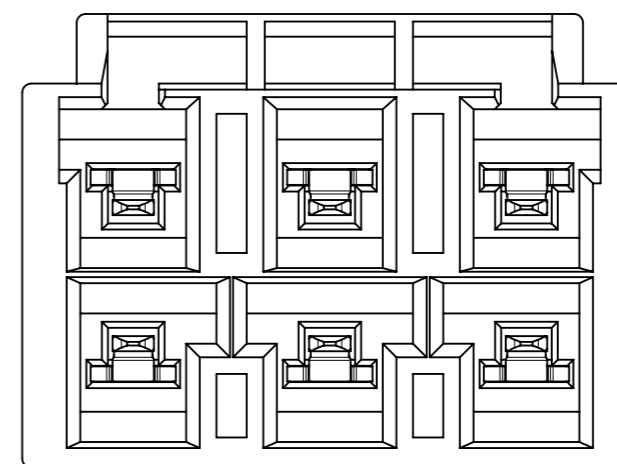
HEADER ASSY WITH POLARIZATION FEATURES AND COLORS 6CKTS



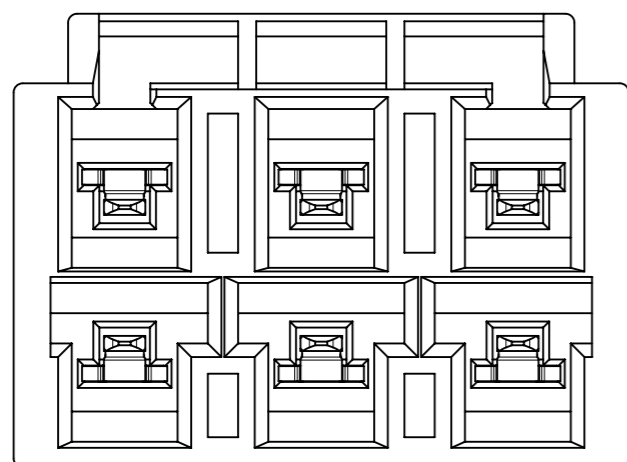
① 151048\*601  
BLUE



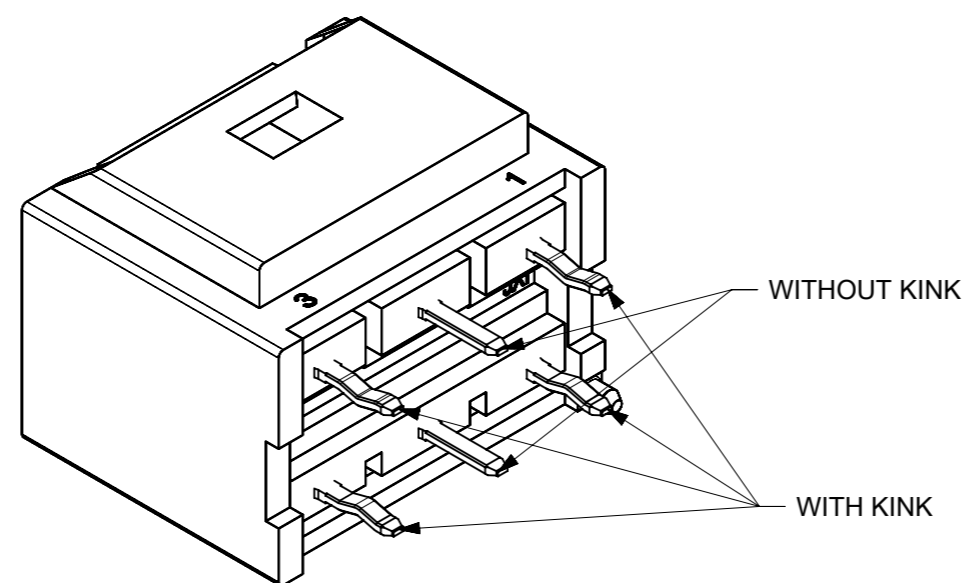
② 151048\*606  
BLACK



③ 151048\*609  
RED



④ 151048\*611  
NATURAL(WHITE)



PART NO. LEGEND

151048- X X XX

COLOR AND POLORIZARION  
CKT NO.  
PACKAGING (TRAY)  
AND OTHERS

CONFIG	ASSEMBLY	COLOR	PACKAGING
1	1510481601	BLUE	PK-151048-0002
2	1510481606	BLACK	
3	1510481609	RED	
4	1510481611	NATURAL (WHITE)	

THIS DRAWING CONTAINS INFORMATION THAT IS PROPRIETARY TO MOLEX ELECTRONIC TECHNOLOGIES, LLC AND SHOULD NOT BE USED WITHOUT WRITTEN PERMISSION									
DIMENSION UNITS <b>mm</b>		SCALE <b>4:1</b>		CURRENT REV DESC: P/N ADDED					
GENERAL TOLERANCES (UNLESS SPECIFIED)				<p>SALES DRAWING 6.5 HEADER ASSY WIRE TO BOARD CONNECTOR</p>					
ANGULAR TOL ± 3.0°									
4 PLACES ±		EC NO: 605846		<p>PRODUCT CUSTOMER DRAWING</p>					
3 PLACES ±		DRWN: NVELUSAMY 2018/08/01							
2 PLACES ± 0.2		CHK'D: SMAHAJANSHET 2018/10/15		<p>DOCUMENT NUMBER: SD-151048-0001</p> <p>DOC TYPE: PSD</p> <p>DOC PART: 001</p> <p>REVISION: A1</p>					
1 PLACE ±		APPR: NCSR 2018/12/13							
0 PLACES ±		INITIAL REVISION:		<p>MATERIAL NUMBER: SEE TABLE</p> <p>CUSTOMER: GENERAL MARKET</p> <p>SHEET NUMBER: 4 OF 4</p>					
DRAFT WHERE APPLICABLE MUST REMAIN WITHIN DIMENSIONS		DRWN: EANG 2014/03/13							
THIRD ANGLE PROJECTION		APPR: KHLIM 2015/07/22		DRAWING: A3-SIZE		SERIES: 151048		REVISION: A1	