

MATERIALS AND FINISHES:

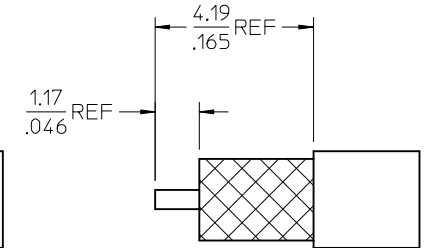
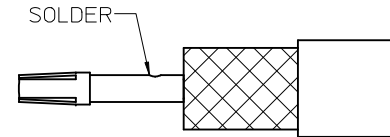
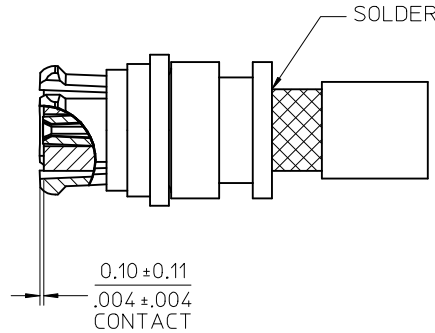
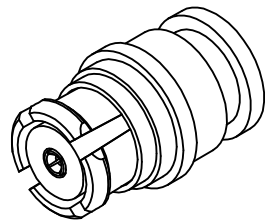
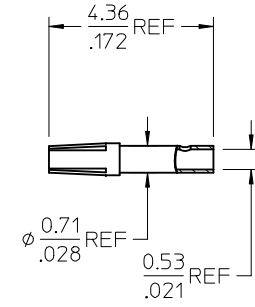
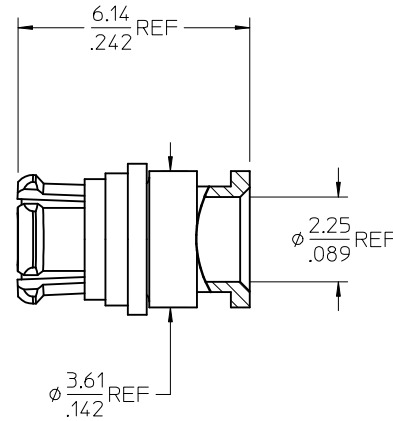
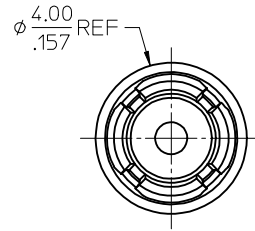
BODY: BERYLLIUM COPPER
 PLATED: GOLD (30μ-in) MIN
 OVER NICKEL (100μ-in) MIN

CONTACT: BERYLLIUM COPPER
 PLATED: GOLD (30μ-in) MIN
 OVER NICKEL (100μ-in) MIN

INSULATOR: PTFE

EMI RING: BRASS
 PLATED: GOLD (30μ-in) MIN
 OVER NICKEL (100μ-in) MIN

VSWR: 1.20 MAX DC - 15.0 GHz
 1.50 MAX 15.0 GHz - 26.5 GHz



RG-405 (.086)
 TF086SC-2401

RECOMMENDED STRIP DIMENSIONS

73415-3741	ONE PER BAG
73415-3740	TRAY
PART NO.	PACKAGING

PS-89675-3320	ELEC/MECH PERFORMANCE
MIL-STD-348B, FIG. 326.1	INTERFACE
SPECIFICATION	DESCRIPTION

CHG: VSWR WAS
 1.30 MAX DC -
 26.5 GHz.
 EC NO: URF2016-0283
 2015/10/19
 DRWINBSHAH
 CHKD:SSS
 2015/10/19
 APPR:AROBERTSON
 2015/10/22

QUALITY SYMBOLS	DESCRIPTION
▽=0	
▽=0	
REV	

GENERAL TOLERANCES (UNLESS SPECIFIED)	
4 PLACES ± --- ± ---	
3 PLACES ± --- ± 0.010	
2 PLACES ± 0.25 ± ---	
1 PLACE ± --- ± ---	
ANGULAR ± 2 °	
DRAFT WHERE APPLICABLE MUST REMAIN WITHIN DIMENSIONS	

DIMENSION STYLE	MM/IN
DRAWN BY	DATE
CHECKED BY	DATE
APPROVED BY	DATE
MATERIAL NO.	
SIZE	

SCALE	DESIGN UNITS	THIRD ANGLE PROJECTION
	INCH	
TITLE	SMP JACK STRAIGHT 50 OHM TF086SC-2401 CABLE SMP-JC EWR-1350	
MOLEX INCORPORATED		
DOCUMENT NO.	SD-73415-374	SHEET NO. 1 OF 1
THIS DRAWING CONTAINS INFORMATION THAT IS PROPRIETARY TO MOLEX INCORPORATED AND SHOULD NOT BE USED WITHOUT WRITTEN PERMISSION		