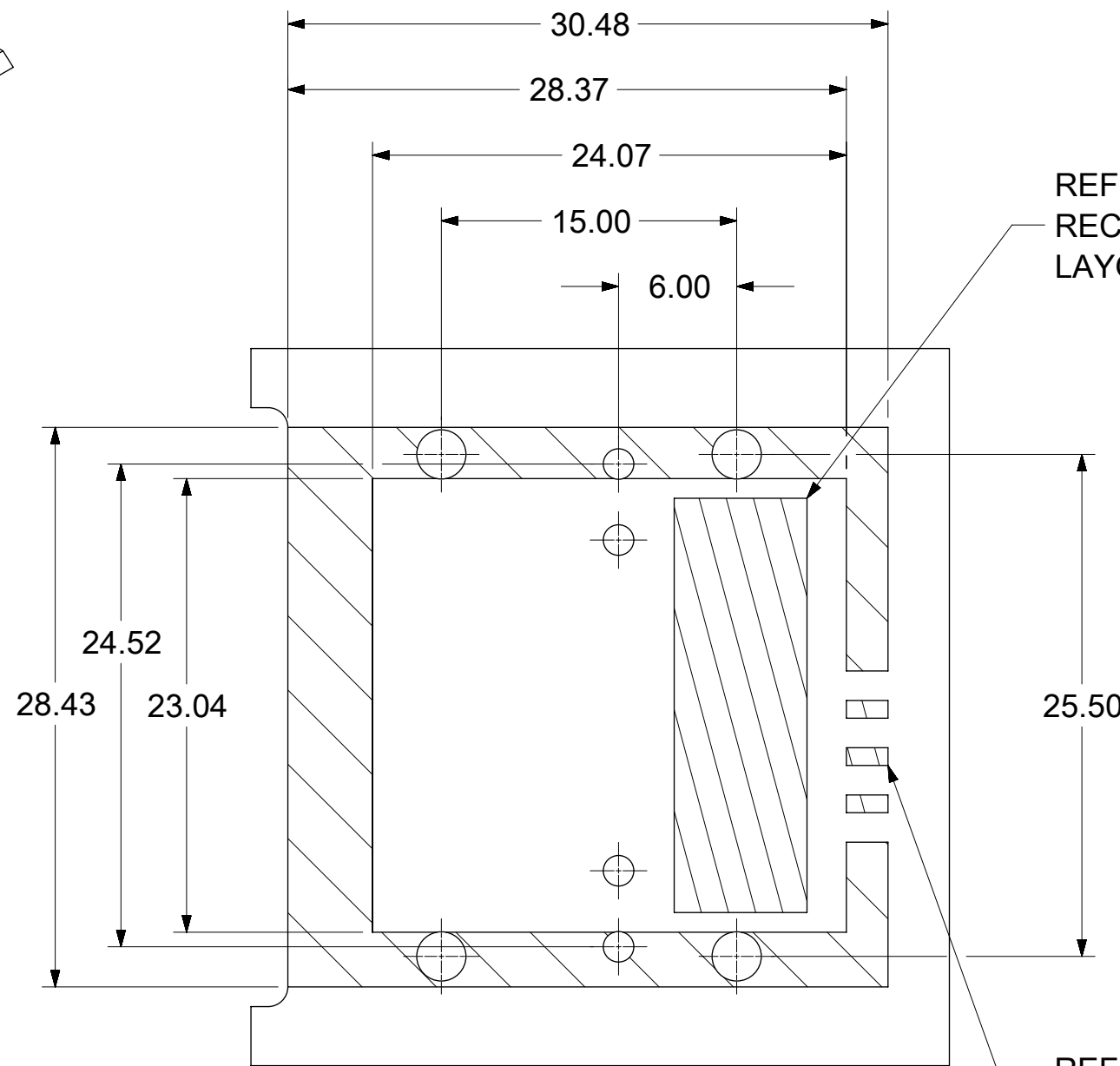
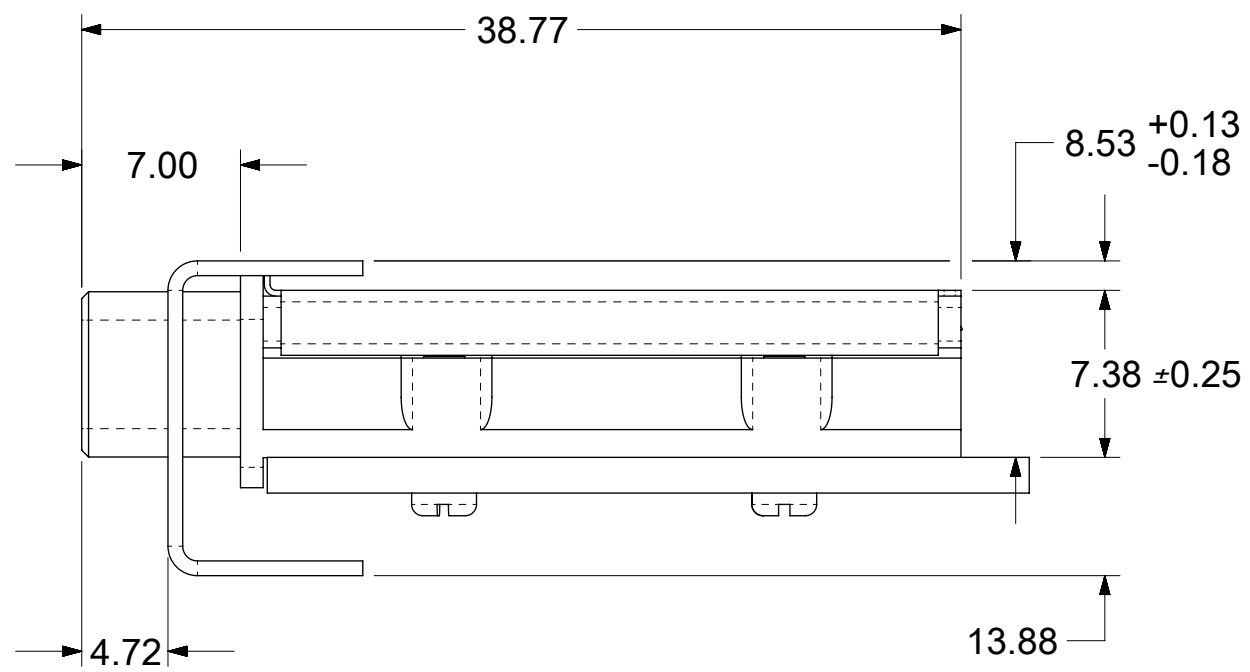
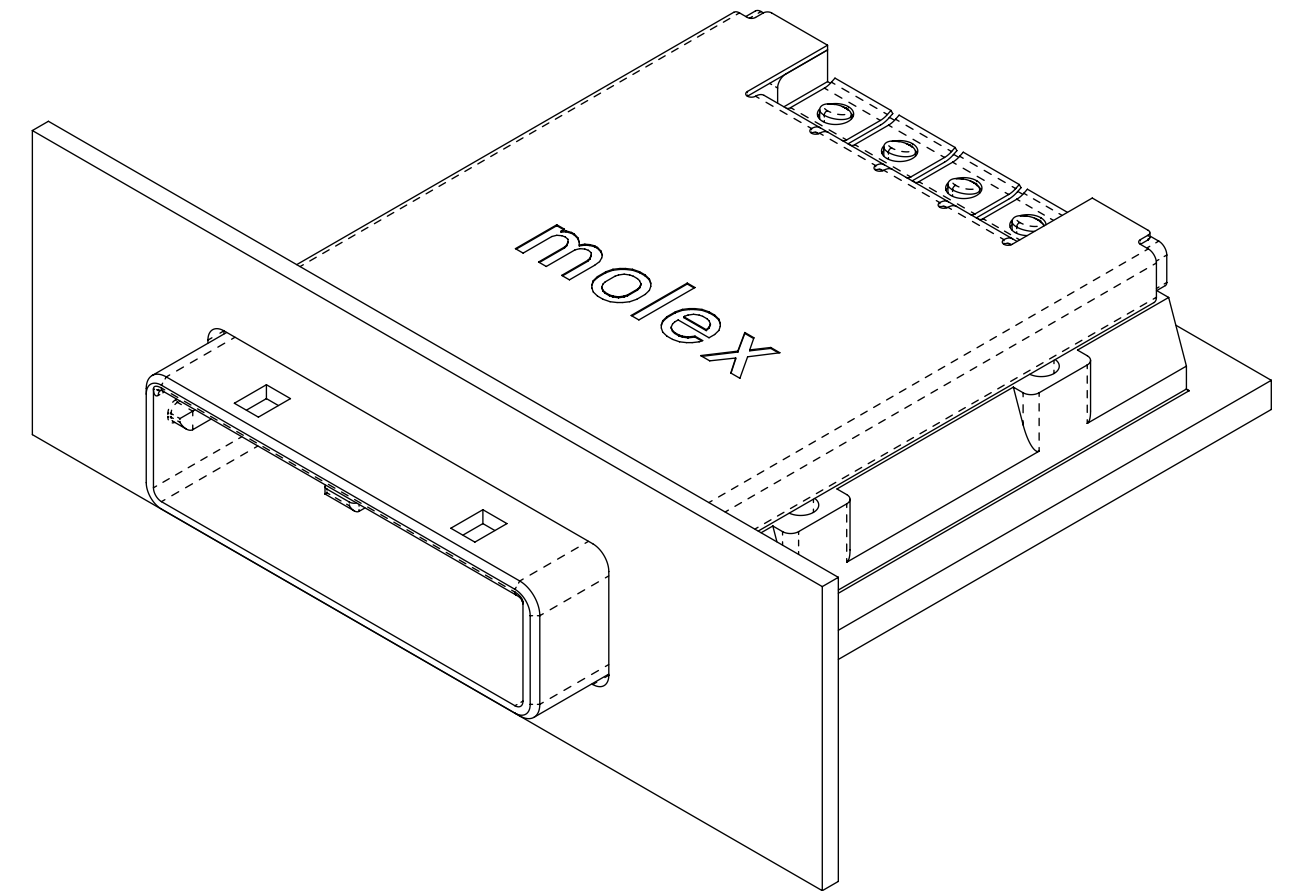
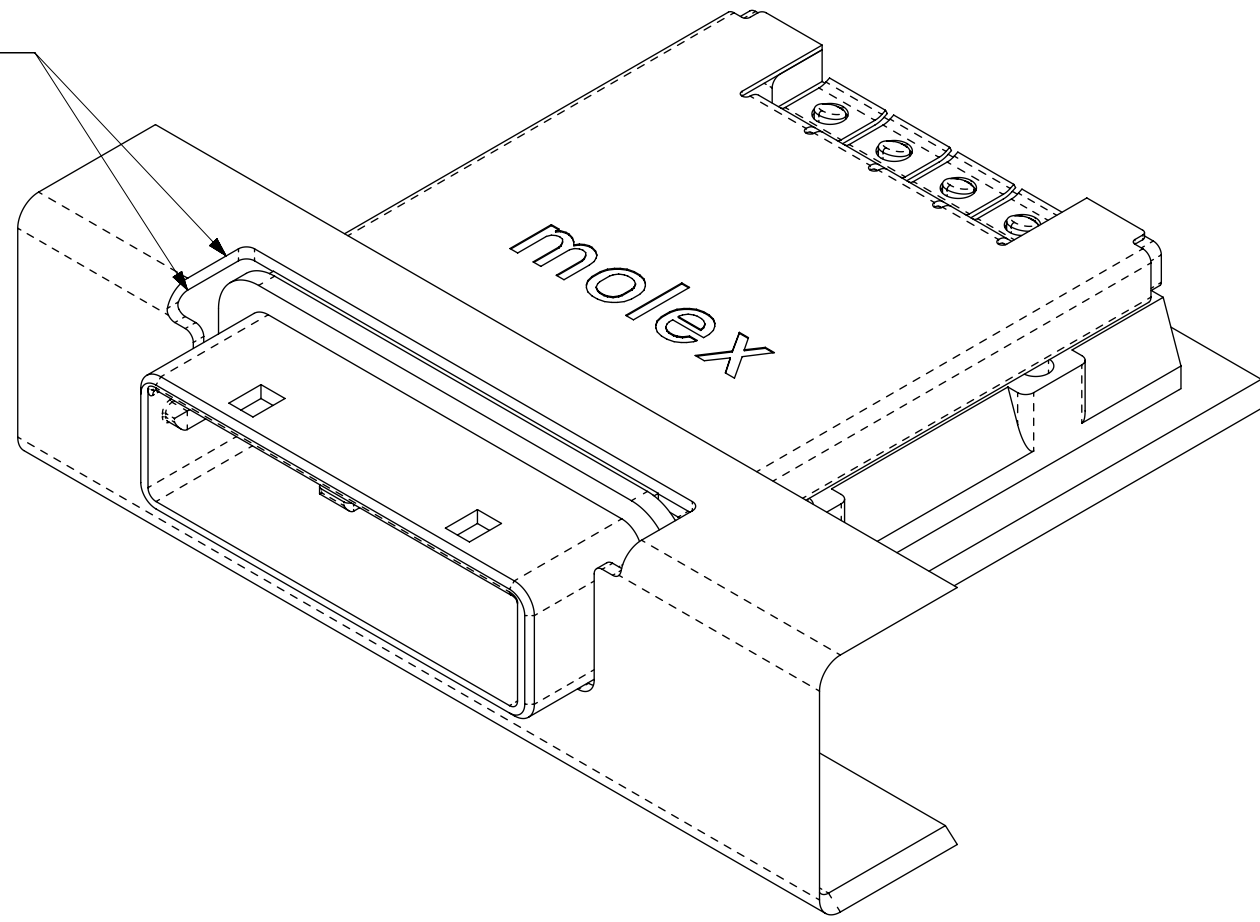


- NOTES:
- REF. PCI EXPRESS CARD ELECTROMECHANICAL SPECIFICATION, REV 1.0a FOR IO BRACKET WINDOW LOCATION.
  - PCB AND IO BRACKET SHOWN FOR REFERENCE ONLY.
  - REFER TO SHEET 2 FOR ATCA GUIDE HOUSING ASSEMBLY.
  - GUIDE HOUSING MOUNTING THREAD=M2 X 0.4, SEE SHEET 3 FOR SCREW LENGTH + TORQUE.
  - PCB NOTCH IS SHOWN FOR PCI COMPLIANT BOARD.
  - NO RoHS EXEMPTIONS
  - PLATE GROUND PAD WITH EMERSION SILVER OR GOLD.
  - MATES WITH MOLEX 4X CABLE SERIES 74546-040X.
  - GUIDE HOUSING PEGS FOR ALIGNMENT ONLY, DO NOT SOLDER.

iPass™ is a trademark of Molex.

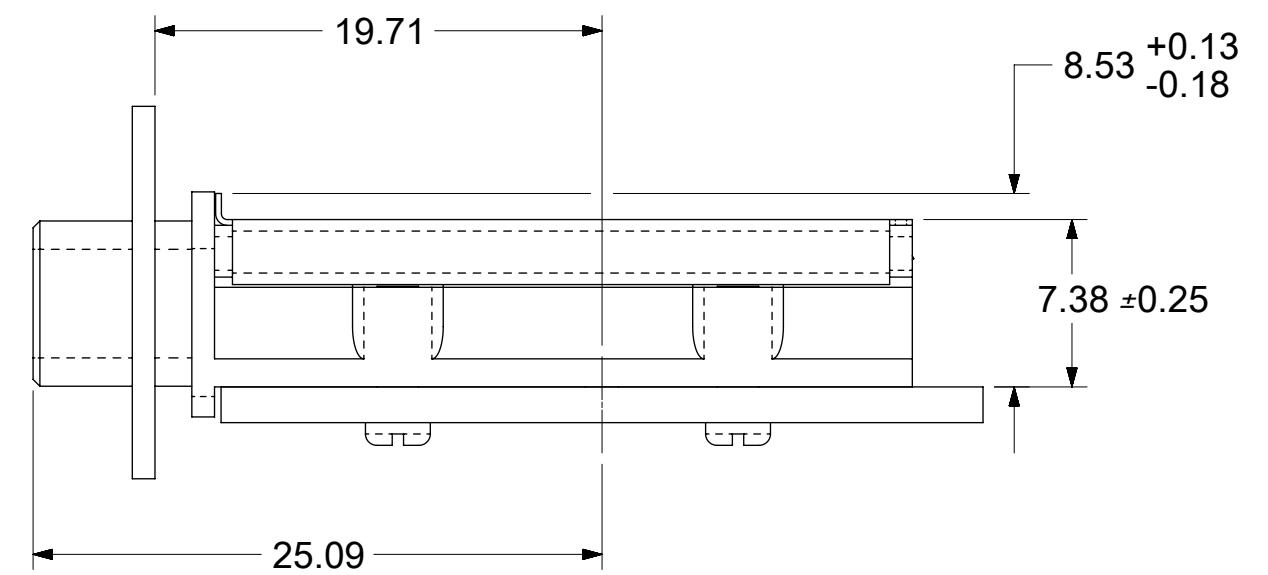
SYMBOLS		THIS DRAWING CONTAINS INFORMATION THAT IS PROPRIETARY TO MOLEX ELECTRONIC TECHNOLOGIES, LLC AND SHOULD NOT BE USED WITHOUT WRITTEN PERMISSION		CURRENT REV DESC: SEE REVISION TABLE		
▽ = 0	mm	SCALE	3:1	<b>molex</b> IPASS X4 EMI GUIDE HOUSING ASSEMBLY W/ KEY PRODUCT CUSTOMER DRAWING		
▽ = 0	GENERAL TOLERANCES (UNLESS SPECIFIED)		EC NO: 610421 DRWN: PMAHADEVAPPA 2018/12/17 CHK'D: VK10 2019/01/15 APPR: RCHEN08 2019/01/15			
▽ = 0	ANGULAR TOL ± 0.5°		INITIAL REVISION: DRWN: PMAHADEVAPPA 2018/12/17 APPR: RCHEN08 2019/01/15			
▽ = 0	4 PLACES ±		DOCUMENT NUMBER <b>745400401</b>			
▽ = 0	3 PLACES ±		DOC TYPE PSD			
▽ = 0	2 PLACES ±		DOC PART ASY			
▽ = 0	1 PLACE ±		REVISION J			
▽ = 0	0 PLACES ±		MATERIAL NUMBER SEE P/N TABLE			
▽ = 0	DRAFT WHERE APPLICABLE MUST REMAIN WITHIN DIMENSIONS		THIRD ANGLE PROJECTION	DRAWING	SERIES	
▽ = 0			C-SIZE	74540	SHEET NUMBER	
				1 OF 4		

GASKETS NOT SHOWN FOR CLARITY

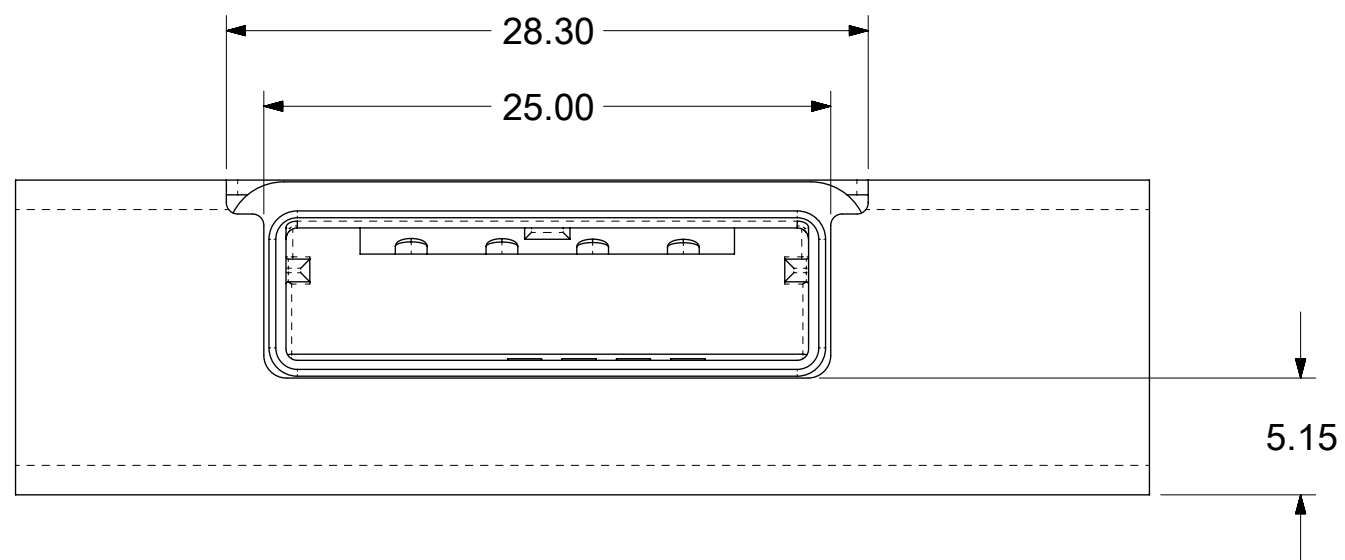


REF. SD-75586-001 FOR RECEPTACLE AND PCB LAYOUT INFORMATION

REF. SHEET 3 FOR GROUND PAD ALLEY LAYOUT INFORMATION



PCIe X4 GUIDE HOUSING ASSEMBLY



ADVANCED TCA APPLICATION SHOWN USING 0 DEGREE GUIDE HOUSING ASSEMBLY

STANDARD APPLICATION SHOWN USING 0 DEGREE GUIDE HOUSING ASSEMBLY

iPass™ is a trademark of Molex.

SYMBOLS		THIS DRAWING CONTAINS INFORMATION THAT IS PROPRIETARY TO MOLEX ELECTRONIC TECHNOLOGIES, LLC AND SHOULD NOT BE USED WITHOUT WRITTEN PERMISSION		CURRENT REV DESC: SEE REVISION TABLE	
▽ = 0	mm	SCALE	3:1	GENERAL TOLERANCES (UNLESS SPECIFIED)	
▽ = 0				ANGULAR TOL ± 0.5°	
▽ = 0				4 PLACES ±	
▽ = 0				3 PLACES ±	
▽ = 0				2 PLACES ± 0.05	
▽ = 0				1 PLACE ± 0.1	
▽ = 0				0 PLACES ±	
▽ = 0		DRAFT WHERE APPLICABLE MUST REMAIN WITHIN DIMENSIONS		THIRD ANGLE PROJECTION	DRAWING
				C-SIZE	SERIES
					74540
DOCUMENT STATUS		P1	RELEASE DATE	2019/01/15	05:53:04

**molex**

IPASS X4 EMI GUIDE HOUSING ASSEMBLY W/ KEY

PRODUCT CUSTOMER DRAWING

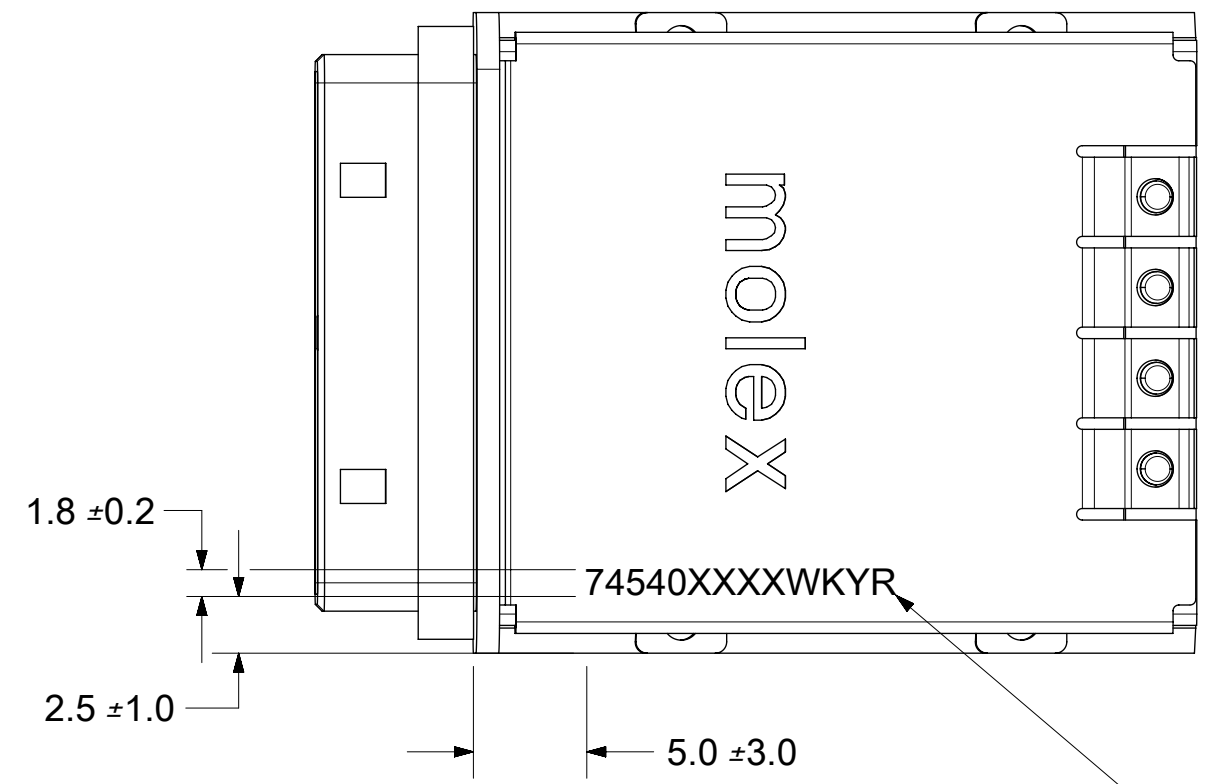
DOCUMENT NUMBER	DOC TYPE	DOC PART	REVISION
745400401	PSD	ASY	J

MATERIAL NUMBER	CUSTOMER	SHEET NUMBER
SEE P/N TABLE		2 OF 4

DOCUMENT STATUS	P1	RELEASE DATE	2019/01/15	05:53:04
-----------------	----	--------------	------------	----------

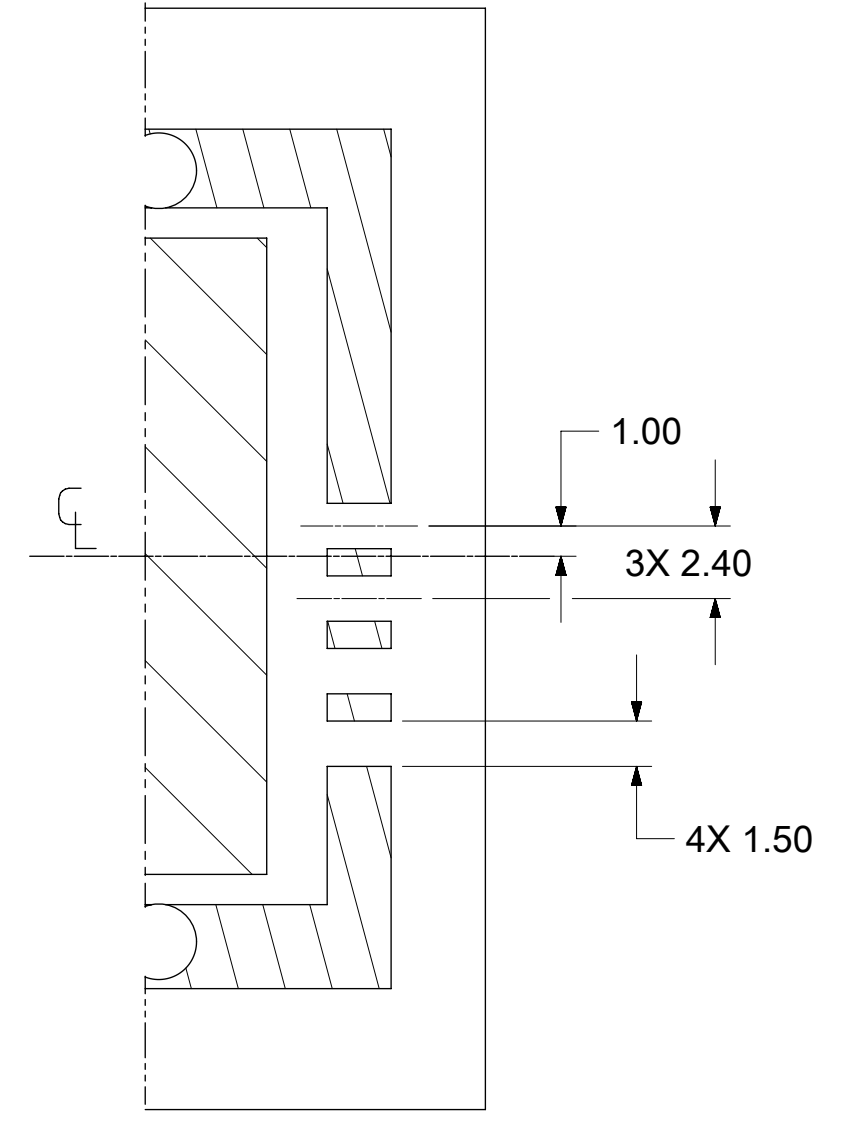
P/N	DESCRIPTION	GEN	ELASTOMERIC GASKET FLAMMABILITY RATING
745400401	4X EMI GUIDE HOUSING ASSEMBLY - PCIE / 1 DEG	GEN1	
745400406	4X EMI GUIDE HOUSING ASSEMBLY - PCIE / 1 DEG	GEN1	EQUATE TO UL94 V-0
745400501	4X EMI GUIDE HOUSING ASSEMBLY - ATCA / 0 DEG	GEN1	
745400407	4X EMI GUIDE HOUSING ASSEMBLY - PCIE / 1 DEG WITH 5MM SCREWS	GEN1	

PCB THICKNESS	SCREW LENGTH	TORQUE(IN LBS)
1.6	5MM	2.3
2.38	6MM	2.3
3.2	6MM	2.3
X	+4MM MAX	2.3



PART NO. AND WEEK/YEAR DATE CODE TO BE PRINTED ON TOP OF COVER APPROXIMATELY AS SHOWN. SEE TABLE BELOW FOR DATE CODE INFORMATION.

WEEK/YEAR DATE CODE TABLE	
WK	WEEK OF THE YEAR 01 THRU 52 (EXAMPLE: 01= FIRST WEEK OF YEAR 52= LAST WEEK OF YEAR)
YR	19, 20, 21,, ETC.. (EXAMPLE: YEAR 2019= 19)



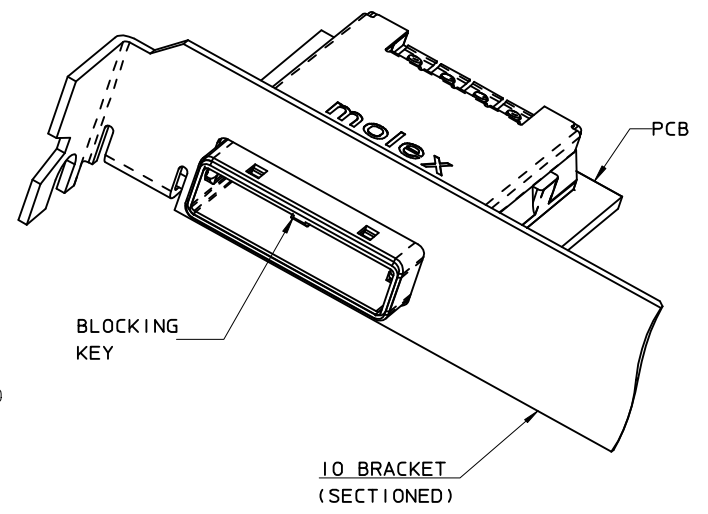
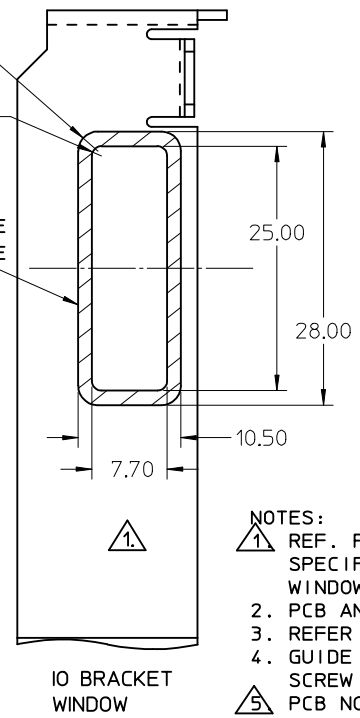
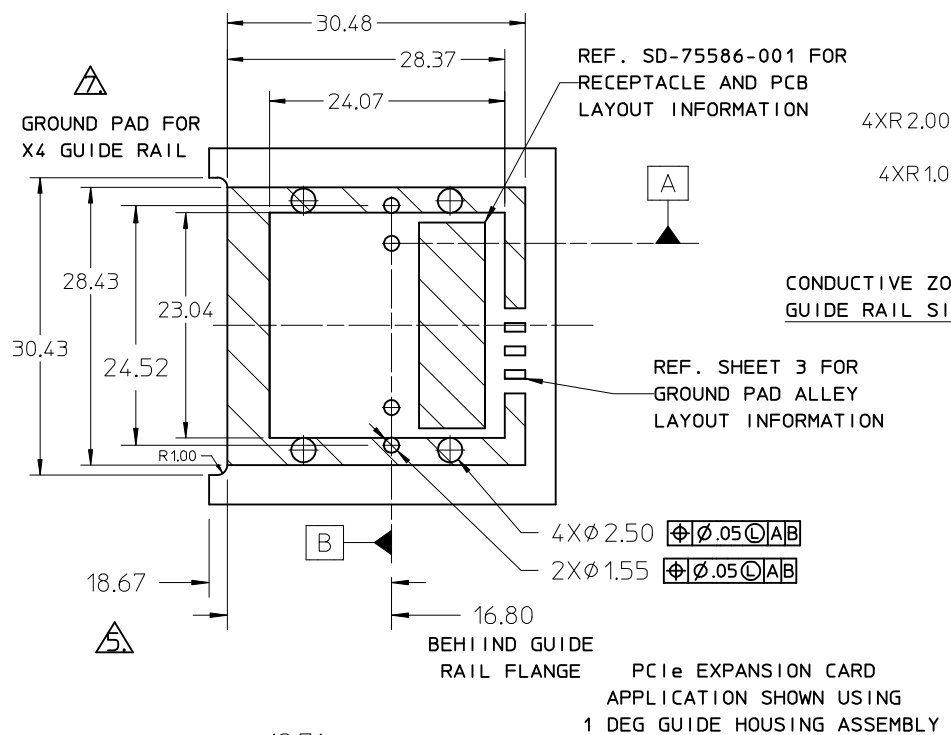
PARTIAL1  
SCALE 4:1  
GROUND PAD ALLEY  
LAYOUT INFORMATION



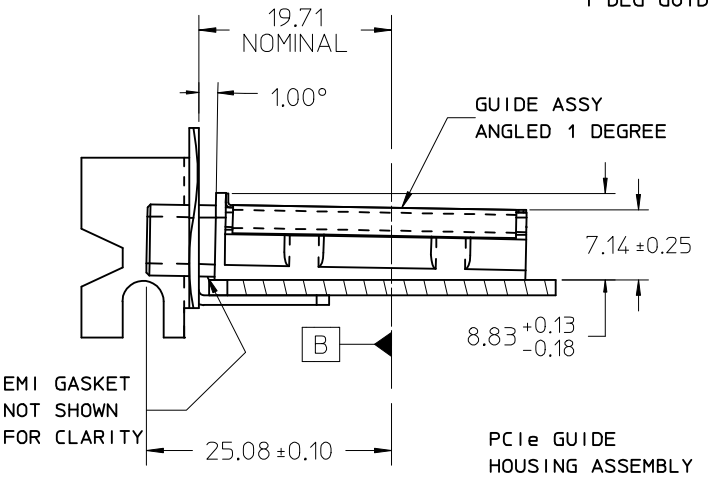
SYMBOLS		THIS DRAWING CONTAINS INFORMATION THAT IS PROPRIETARY TO MOLEX ELECTRONIC TECHNOLOGIES, LLC AND SHOULD NOT BE USED WITHOUT WRITTEN PERMISSION				
DIMENSION UNITS: <b>mm</b> SCALE: <b>1:1</b>		CURRENT REV DESC: SEE REVISION TABLE				IPASS X4 EMI GUIDE HOUSING ASSEMBLY W/ KEY
GENERAL TOLERANCES (UNLESS SPECIFIED) ANGULAR TOL ± 0.5°		EC NO: 610421 DRWN: PMAHADEVAPPA 2018/12/17 CHK'D: VK10 2019/01/15 APPR: RCHEN08 2019/01/15		PRODUCT CUSTOMER DRAWING		
4 PLACES ± 3 PLACES ± 2 PLACES ± 0.05 1 PLACE ± 0.1 0 PLACES ±		INITIAL REVISION: DRWN: PMAHADEVAPPA 2018/12/17 APPR: RCHEN08 2019/01/15		DOCUMENT NUMBER	DOC TYPE   DOC PART   REVISION	
DRAFT WHERE APPLICABLE MUST REMAIN WITHIN DIMENSIONS		THIRD ANGLE PROJECTION	DRAWING	SERIES	MATERIAL NUMBER   CUSTOMER   SHEET NUMBER	
			C-SIZE	74540	745400401 SEE P/N TABLE	PSD ASY J 3 OF 4



MM 3D MODEL:TM-74540-0401



- NOTES:**
- REF. PCI EXPRESS CARD ELECTROMECHANICAL SPECIFICATION, REV 1.0a FOR IO BRACKET WINDOW LOCATION.
  - PCB AND IO BRACKET SHOWN FOR REFERENCE ONLY.
  - REFER TO SHEET 2 FOR ATCA GUIDE HOUSING ASSEMBLY.
  - GUIDE HOUSING MOUNTING THREAD= M2 X 0.4, SEE SHEET 3 FOR SCREW LENGTH + TORQUE.
  - PCB NOTCH IS SHOWN FOR PCI COMPLIANT BOARD.
  - NO RoHS EXEMPTIONS
  - PLATE GROUND PAD WITH EMERSON SILVER OR GOLD.
  - MATES WITH MOLEX 4X CABLE SERIES 74546-040X.
  - GUIDE HOUSING PEGS FOR ALIGNMENT ONLY, DO NOT SOLDER.

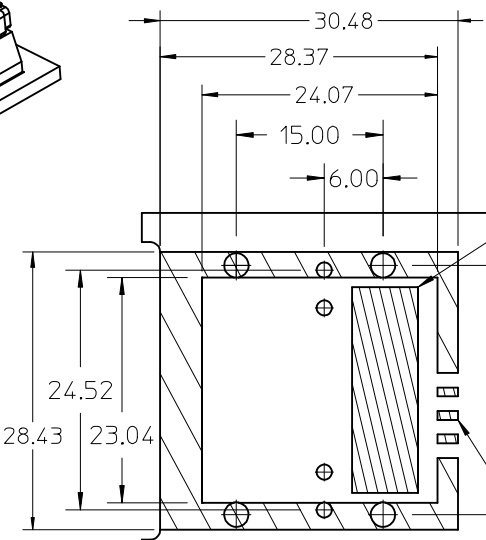
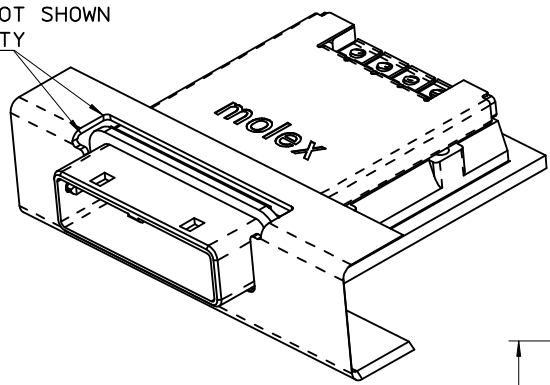


iPass™ is a trademark of Molex.

<b>SEE REVISION TABLE</b> EC NO: CPG2015-4551 DRWN: LLU20 2015/03/02 CHKD: APPR: RCHEN08 2015/03/13	QUALITY SYMBOLS ▽=0 ▽=0 ▽=0	GENERAL TOLERANCES (UNLESS SPECIFIED)	DIMENSION STYLE	SCALE	DESIGN UNITS	THIRD ANGLE PROJECTION
		mm INCH	MM ONLY	2:1	METRIC	
		4 PLACES ± --- ± ---	DRAWN BY	DATE	TITLE	
		3 PLACES ± --- ± ---	SNABARRO	2006/05/26	IPASS X4 EMI GUIDE HOUSING ASSEMBLY W/ KEY	
2 PLACES ± 0.05 ± ---	CHECKED BY	DATE				
1 PLACE ± 0.10 ± ---	BREED	2006/05/26				
0 PLACE ± ±	APPROVED BY	DATE				
	DDOYE	2006/05/25				
	MATERIAL NO.		DOCUMENT NO.			
			SD-74540-401			
	ANGULAR ±1/2° DRAFT WHERE APPLICABLE MUST REMAIN WITHIN DIMENSIONS	SEE P/N TABLE	SHEET NO.			
			1 OF 4			

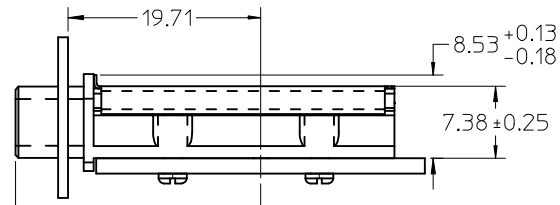
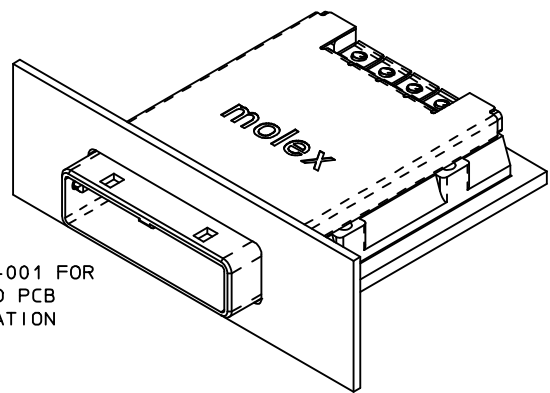
10 9 8 7 6 5 4 3 2 1

GASKETS NOT SHOWN FOR CLARITY

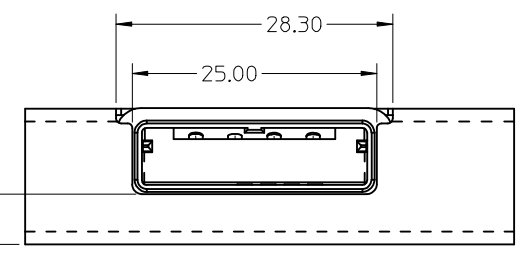
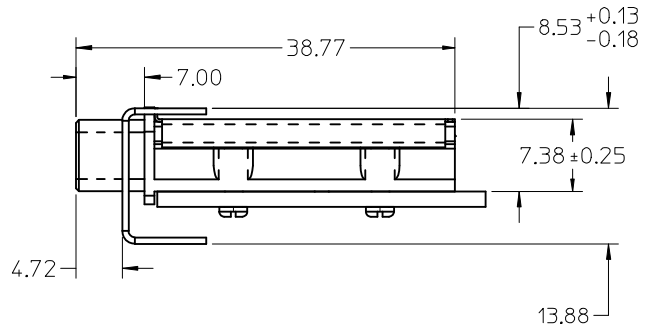


REF. SD-75586-001 FOR RECEPTACLE AND PCB LAYOUT INFORMATION

REF. SHEET 3 FOR GROUND PAD ALLEY LAYOUT INFORMATION



PCIe X4 GUIDE HOUSING ASSEMBLY



ADVANCED TCA APPLICATION SHOWN USING 0 DEGREE GUIDE HOUSING ASSEMBLY

STANDARD APPLICATION SHOWN USING 0 DEGREE GUIDE HOUSING ASSEMBLY

iPass™ is a trademark of Molex.

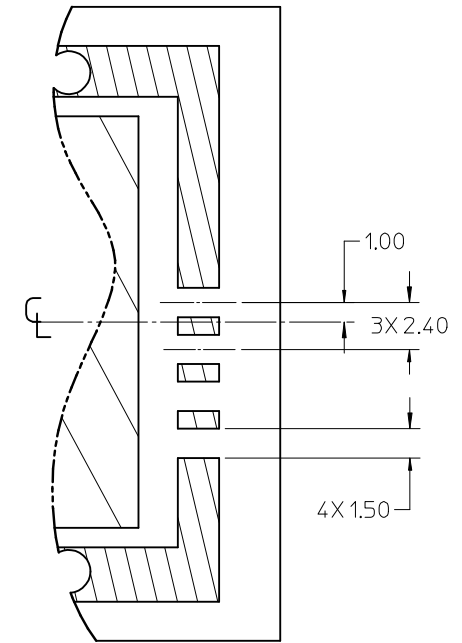
SEE REVISION TABLE EC NO: CPG2015-4551 DRAWN: LU20 CHKD: APPR: RCHEN08 2015/03/02 2015/03/13	QUALITY SYMBOLS	GENERAL TOLERANCES (UNLESS SPECIFIED)	DIMENSION STYLE		SCALE	DESIGN UNITS	THIRD ANGLE PROJECTION	
	▽=0	mm INCH	MM ONLY		2:1	METRIC		
	▽=0	4 PLACES ± --- ± ---	DRAWN BY	DATE	TITLE			
	▽=0	3 PLACES ± --- ± ---	SNAVARRO	2006/05/26	IPASS X4 EMI GUIDE HOUSING ASSEMBLY W/ KEY			
	▽=0	2 PLACES ± 0.05 ± ---	CHECKED BY	DATE				
	1 PLACE ± 0.10 ± ---	BREED	2006/05/26	molex				
	0 PLACE ± ±	APPROVED BY	DATE					
		DDOYE	2006/05/25	MATERIAL NO.	DOCUMENT NO.	SHEET NO.		
		ANGULAR ±1/2°		SEE P/N TABLE	SD-74540-401	2 OF 4		
		DRAFT WHERE APPLICABLE MUST REMAIN WITHIN DIMENSIONS		SIZE B	THIS DRAWING CONTAINS INFORMATION THAT IS PROPRIETARY TO MOLEX INCORPORATED AND SHOULD NOT BE USED WITHOUT WRITTEN PERMISSION			

9 8 7 6 5 4 3 2 1

10 9 8 7 6 5 4 3 2 1

P/N	DESCRIPTION	GEN	ELASTOMERIC GASKET FLAMMABILITY RATING
745400401	4X EMI GUIDE HOUSING ASSEMBLY - PCIE / 1 DEG	GEN1	
745400406	4X EMI GUIDE HOUSING ASSEMBLY - PCIE / 1 DEG	GEN1	EQUATE TO UL94 V-0
745400501	4X EMI GUIDE HOUSING ASSEMBLY - ATCA / 0 DEG	GEN1	
745400407	4X EMI GUIDE HOUSING ASSEMBLY - PCIE / 1 DEG WITH 5MM SCREWS	GEN1	

PCB THICKNESS	SCREW LENGTH	TORQUE(IN LBS)
1.6	5MM	2.3
2.38	6MM	2.3
3.2	6MM	2.3
X	+4MM MAX	2.3



PARTIAL1  
SCALE 4:1  
GROUND PAD ALLEY  
LAYOUT INFORMATION



SEE REVISION TABLE EC NO: CPG2015-4551 DRW:MLL020 2015/03/02 CHKD: APPR:RCHEN08 2015/03/13 REV	QUALITY SYMBOLS	GENERAL TOLERANCES (UNLESS SPECIFIED)	DIMENSION STYLE	SCALE	DESIGN UNITS	THIRD ANGLE PROJECTION
	▽=0	mm INCH	MM ONLY	1:1	METRIC	
	▽=0	4 PLACES ± --- ± ---	DRAWN BY DATE			TITLE
	▽=0	3 PLACES ± --- ± ---	SNAVARRO 2006/05/26			IPASS X4 EMI GUIDE HOUSING ASSEMBLY W/ KEY
	▽=0	2 PLACES ± 0.05 ± ---	CHECKED BY DATE			
	1 PLACE ± 0.10 ± ---	BREED 2006/05/26				
	0 PLACE ± ±	APPROVED BY DATE				
		DDOYE 2006/05/25				
		ANGULAR ± 1/2°	MATERIAL NO.	DOCUMENT NO.		SHEET NO.
		DRAFT WHERE APPLICABLE MUST REMAIN WITHIN DIMENSIONS	SEE P/N TABLE	SD-74540-401		3 OF 4
			SIZE B	THIS DRAWING CONTAINS INFORMATION THAT IS PROPRIETARY TO MOLEX INCORPORATED AND SHOULD NOT BE USED WITHOUT WRITTEN PERMISSION		

9 8 7 6 5 4 3 2 1

