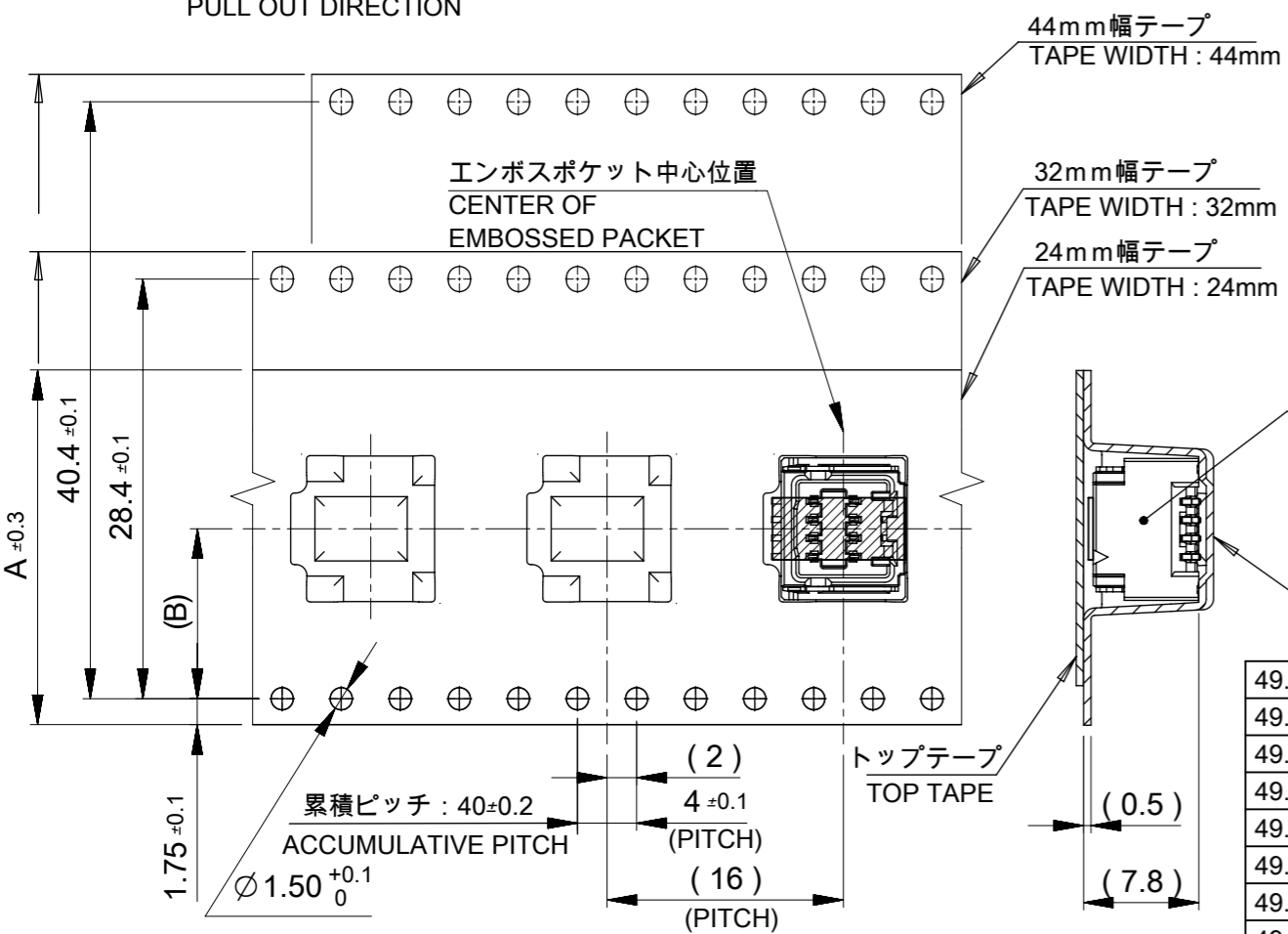


引き出し方向  
PULL OUT DIRECTION

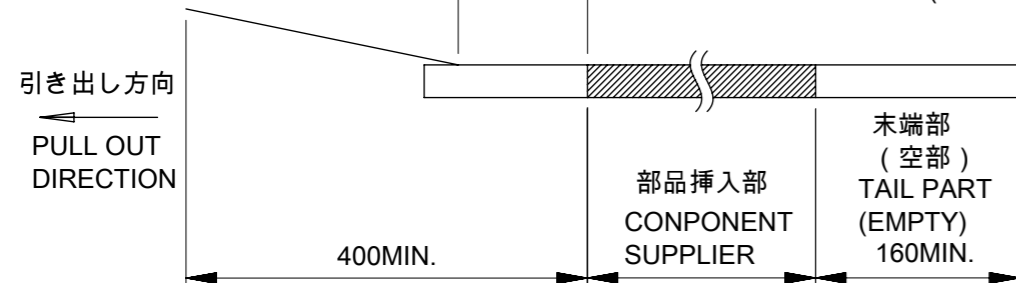


NOTES

1. 製品番号505433\*\*8\*の詳細寸法は5054331000PSD000を参照ください。  
FOR DETAIL OF 505433\*\*8\* DIMENSIONS,  
PLEASE SEE THE 5054331000PSD000 (NOT PACKAGED).

2. 梱包数量 : 500個  
NUMBER OF CONNECTORS : 500 PIECES/REEL.

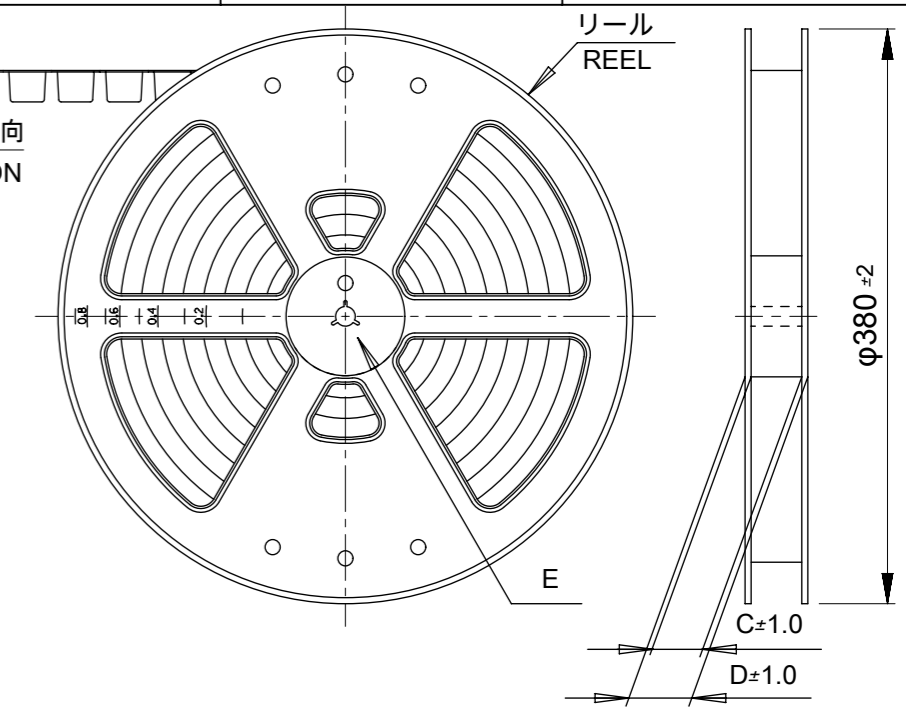
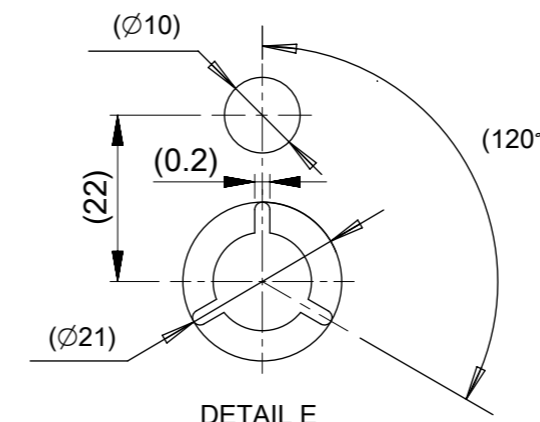
3. リードテープ長さ  
LEAD TAPE LENGTH  
トップテープ接着部 (空部)  
TOP TAPE BONDED PART (EMPTY)  
100 MIN.



4. トップテープの剥離強度については、IEC60286-3に準拠  
TOP TAPE PEEL FORCE IS DEFINED BY IEC 60286-3.

5. 材料 MATERIAL  
キャリアテープ : ポリスチレン (PS)  
CARRIER TAPE : POLYSTYRENE (PS)  
トップテープ : ポリエステル (PET)、その他  
TOP TAPE : POLYESTER (PET)、OTHER  
リール : ポリスチレン (PS) <リサイクル材を含む>  
REEL : POLYSTYRENE (PS) <RECYCLE MATERIAL CONTAINED>

引き出し方向  
PULL OUT DIRECTION



				HSG COLOR GREEN	HSG COLOR BLUE	HSG COLOR RED	HSG COLOR BLACK	HSG COLOR NATURAL		
49.4	45.4	20.2	44	5054334286	5054334284	5054334282	5054334281	5054334280	42	
49.4	45.4	20.2	44	5054334086	5054334084	5054334082	5054334081	5054334080	40	
49.4	45.4	20.2	44	5054333886	5054333884	5054333882	5054333881	5054333880	38	
49.4	45.4	20.2	44	5054333686	5054333684	5054333682	5054333681	5054333680	36	
49.4	45.4	20.2	44	5054333486	5054333484	5054333482	5054333481	5054333480	34	
49.4	45.4	20.2	44	5054333286	5054333284	5054333282	5054333281	5054333280	32	
49.4	45.4	20.2	44	5054333086	5054333084	5054333082	5054333081	5054333080	30	
49.4	45.4	20.2	44	5054332886	5054332884	5054332882	5054332881	5054332880	28	
49.4	45.4	20.2	44	5054332686	5054332684	5054332682	5054332681	5054332680	26	
37.4	33.4	14.2	32	5054332486	5054332484	5054332482	5054332481	5054332480	24	
37.4	33.4	14.2	32	5054332286	5054332284	5054332282	5054332281	5054332280	22	
37.4	33.4	14.2	32	5054332086	5054332084	5054332082	5054332081	5054332080	20	
37.4	33.4	14.2	32	5054331886	5054331884	5054331882	5054331881	5054331880	18	
37.4	33.4	14.2	32	5054331686	5054331684	5054331682	5054331681	5054331680	16	
29.4	25.4	11.5	24	5054331486	5054331484	5054331482	5054331481	5054331480	14	
29.4	25.4	11.5	24	5054331286	5054331284	5054331282	5054331281	5054331280	12	
29.4	25.4	11.5	24	5054331086	5054331084	5054331082	5054331081	5054331080	10	
29.4	25.4	11.5	24	5054330886	5054330884	5054330882	5054330881	5054330880	8	
D	C	B	エンボステープ幅 WIDTH OF TAPE A	エンボス梱包 EMBOSS TAPE PACKAGE	エンボス梱包 EMBOSS TAPE PACKAGE	エンボス梱包 EMBOSS TAPE PACKAGE	エンボス梱包 EMBOSS TAPE PACKAGE	エンボス梱包 EMBOSS TAPE PACKAGE	エンボス梱包 EMBOSS TAPE PACKAGE	極数 CKT NO.
				オーダー番号 ORDER NO.	オーダー番号 ORDER NO.	オーダー番号 ORDER NO.	オーダー番号 ORDER NO.	オーダー番号 ORDER NO.	オーダー番号 ORDER NO.	

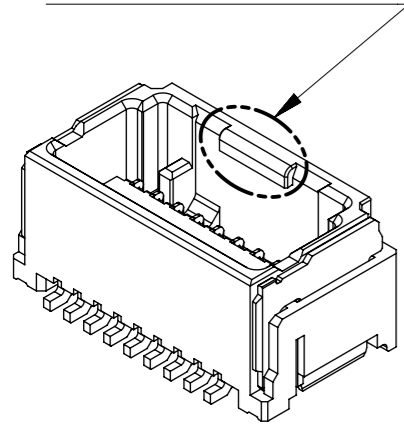
THIS DRAWING CONTAINS INFORMATION THAT IS PROPRIETARY TO MOLEX ELECTRONIC TECHNOLOGIES, LLC AND SHOULD NOT BE USED WITHOUT WRITTEN PERMISSION

REVISED	2017/01/23	GENERAL TOLERANCES (UNLESS SPECIFIED)	DIMENSION UNITS	SCALE				
	DRWN: TAKAIKE		MM	NTS				
	CHK'D: KOMURAKAMI		DRWN BY	DATE		TAKAIKE	2016/12/26	
	APPR: TKANEKO		CHK'D BY	DATE		KOMURAKAMI	2016/12/28	
EC NO: 112331		ANGULAR TOL ± 3.0 °	APPR BY	DATE	PRODUCT CUSTOMER DRAWING			
		4 PLACES ± 0.2	TKANEKO	2016/12/28	SERIES			
		3 PLACES ± 0.2	DRAWING SIZE	THIRD ANGLE PROJECTION	MATERIAL NUMBER			
		2 PLACES ± 0.2	A3		CUSTOMER			
		1 PLACE ± 0.2	DRAFT WHERE APPLICABLE		505433	SEE TABLE	GENERAL	
		0 PLACES ± 0.2	MUST REMAIN WITHIN DIMENSIONS		DOCUMENT NUMBER	DOC TYPE	DOC PART	SHEET NUMBER
					5054330000	PSD	000	1 OF 1

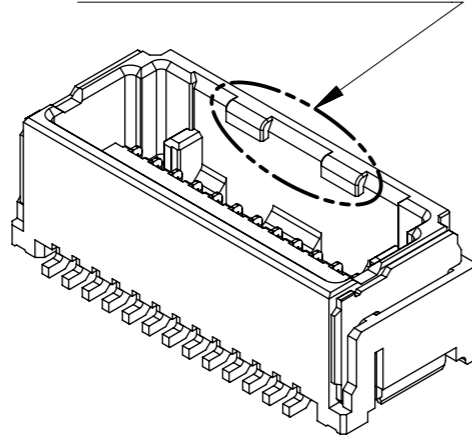


係止形状違い

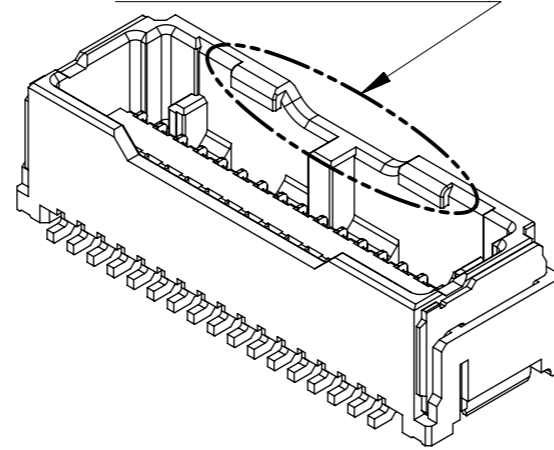
8-24 CKT. 係止形状



26-32 CKT. 係止形状

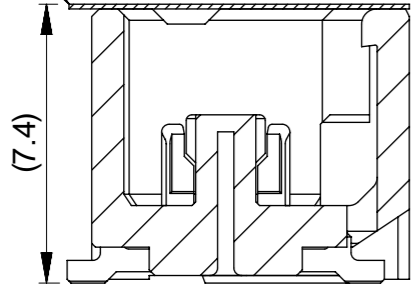


34-42 CKT. 係止形状



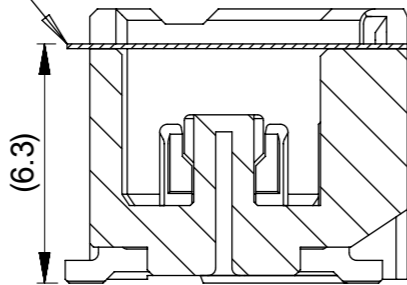
吸着テープ高さ違い

COVER TAPE

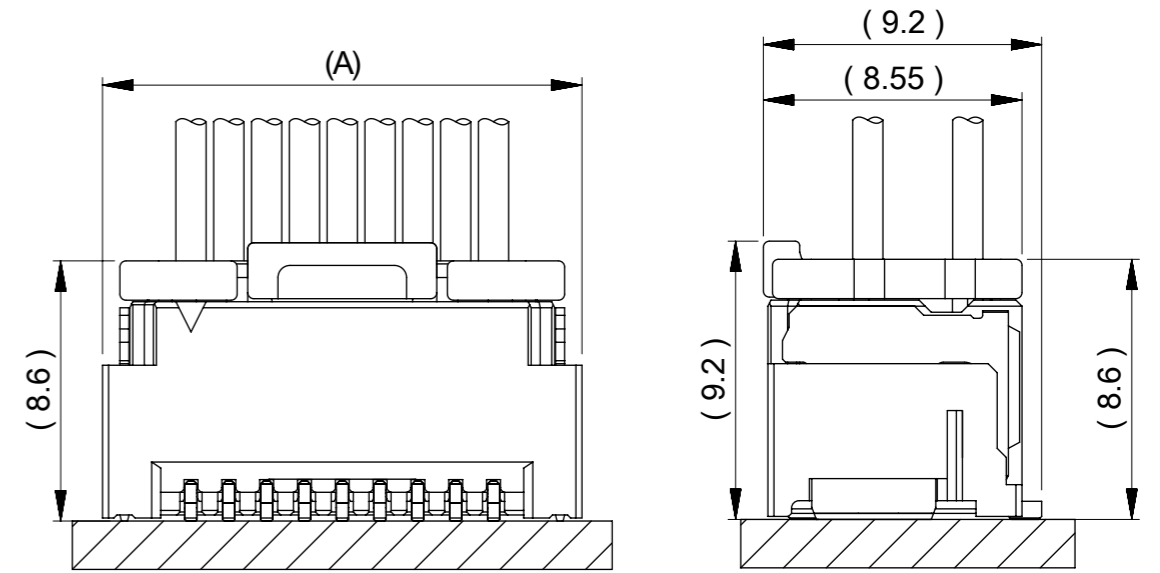


8-32 CKT.

COVER TAPE

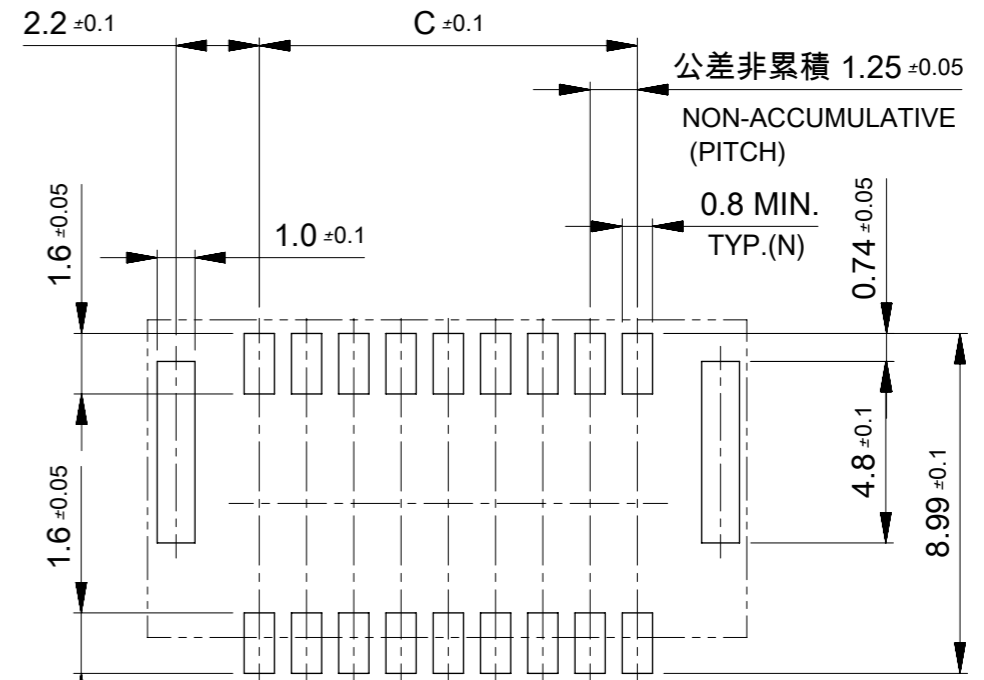


34-42 CKT.



嵌合状態図

MATED CONNECTORS



基板パターンレイアウト (参考)

RECCOMENDED P.C.B. PATTERN LAYOUT (REF.)  
(メタルマスク厚さ : 150µm)

THIS DRAWING CONTAINS INFORMATION THAT IS PROPRIETARY TO MOLEX ELECTRONIC TECHNOLOGIES, LLC AND SHOULD NOT BE USED WITHOUT WRITTEN PERMISSION

REVISED	EC NO: 112331	DRWN: TAKAIKE	2017/01/20	GENERAL TOLERANCES (UNLESS SPECIFIED)	DIMENSION UNITS	SCALE	<b>molex</b> <sup>®</sup>	
	CHK'D: KOMURAKAMI	2017/03/30	MM		4:1			
	APPR: TKANEKO	2017/04/03	ANGULAR TOL ± 3.0 °		DRWN BY	DATE		
	4 PLACES ±	TAKAIKE	2016/12/27		CHK'D BY	DATE		
	3 PLACES ±	KOMURAKAMI	2016/12/28		APPR BY	DATE		
2 PLACES ± 0.2	TKANEKO	2016/12/28	DRAFT WHERE APPLICABLE MUST REMAIN WITHIN DIMENSIONS	DRAWING SIZE	THIRD ANGLE PROJECTION	SERIES	MATERIAL NUMBER	CUSTOMER
1 PLACE ± 0.2	A3	Third Angle Projection	505433	SEE TABLE	GENERAL			
0 PLACES ± 0.2			DOCUMENT NUMBER	DOC TYPE	DOC PART	SHEET NUMBER		
			5054331000	PSD	000	2 OF 2		