

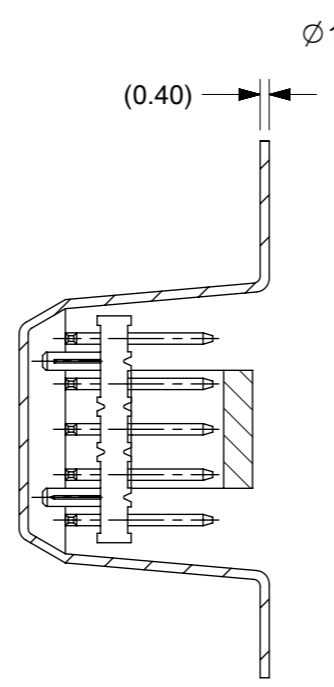
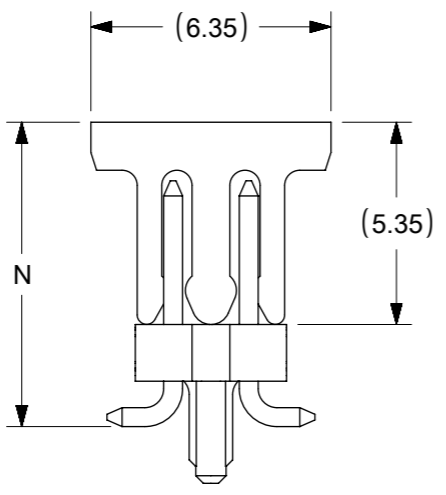
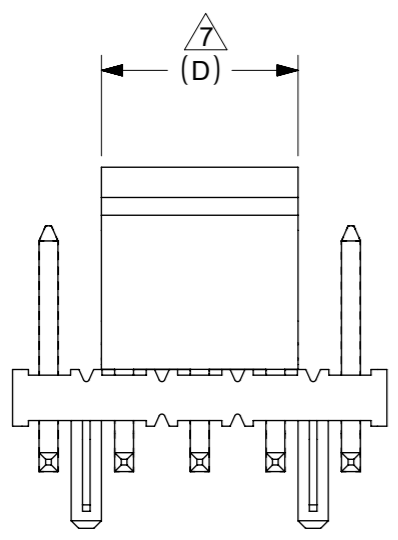
NOTE:

1. MATERIAL:  
HSG & CAP - NYLON, GLASS-FILLED, UL 94V-0, COLOUR BLACK  
PIN - 0.50 SQ. PHOSPHOR BRONZE
2. PLATING OPTION:  
1: 0.38µm MIN. GOLD PLATE AT CONTACT AREA, TIN PLATE AT SOLDER AREA, BOTH OVER NICKEL UNDERPLATE  
2: 0.05-0.25µm MIN. GOLD PLATE AT CONTACT AREA, TIN PLATE AT SOLDER AREA, BOTH OVER NICKEL UNDERPLATE
3. PIN PUSHOUT FORCE: 1kg MIN. IN EITHER DIRECTION.
4. PRODUCT SPEC PS-87761-100 APPLIES.
- 5 BEND DEPRESSION IS ACCEPTABLE SO LONG AS IT DOES NOT AFFECT THE OVERALL COPLANARITY OF TAIL.
- 6 COPLANARITY IS TO BE MEASURED BY RESTING THE SOLDER TAIL ON A GAUGE SURFACE.
- 7 CAP TO BE LOCATED AS CENTRAL OF PART AS POSSIBLE  
TOP SURFACE OF CAP TO BE FLAT FOR THE PURPOSE OF PICK & PLACE BY VACCUM SUCTION NOZZLE.
8. FOR ILLUSTRATION PURPOSES, 10CKT IS SHOWN (WITH TAPE & REEL ON 2ND SHEET). SHT 3 INDICATES THE TYPE OF EMBOSSED USED IN GENERAL.
9. TUBE LENGTH IS 560MM REF STANDARD.
10. RECOMMENDED PCB BOARD THK IS 1.60±0.10 MM.

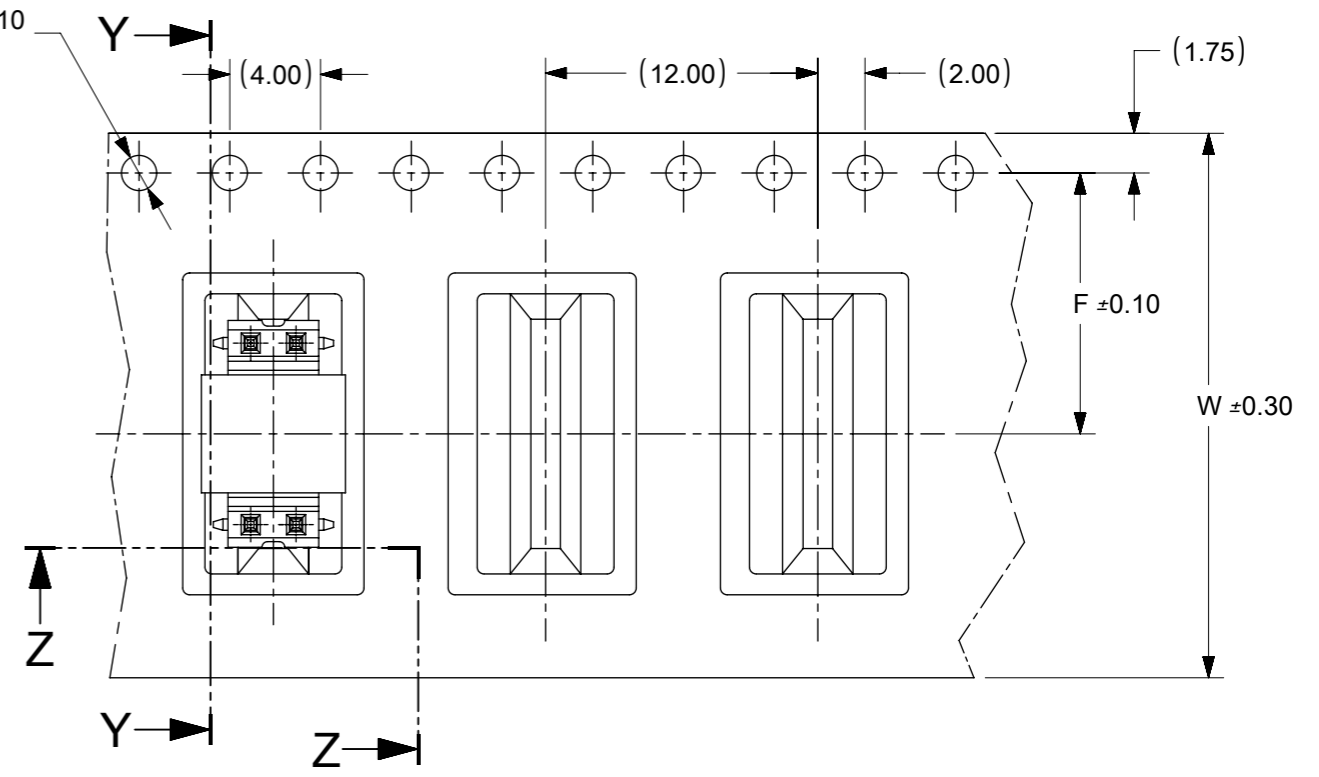
THIS DRAWING CONTAINS INFORMATION THAT IS PROPRIETARY TO MOLEX ELECTRONIC TECHNOLOGIES, LLC AND SHOULD NOT BE USED WITHOUT WRITTEN PERMISSION									
DIMENSION UNITS		SCALE		CURRENT REV DESC: REMASTERED IN NX					
mm		NTS							
GENERAL TOLERANCES (UNLESS SPECIFIED)									
		MM	INCH	EC NO: 172192 DRWN: NVELUSAMY 2018/01/03 CHK'D: CD 2018/07/18 APPR: GGA 2018/07/19					
4 PLACES	±			INITIAL REVISION: DRWN: KSEE 2003/12/22 APPR: MLONG 2009/12/17					
3 PLACES	±			DOCUMENT NUMBER: SD-87759-208 DOC TYPE: PSD DOC PART: 001 REVISION: D5					
2 PLACES	±	0.2		PRODUCT CUSTOMER DRAWING MATERIAL NUMBER: SEE TABLE CUSTOMER: GENERAL MARKET SHEET NUMBER: 1 OF 4					
1 PLACE	±			DRAFT WHERE APPLICABLE MUST REMAIN WITHIN DIMENSIONS THIRD ANGLE PROJECTION DRAWING: A3-SIZE SERIES: 87759					
0 PLACES	±								
ANGULAR TOL ± 3.0°									

CAP TYPE	D
C1	5.20
C2	4.60

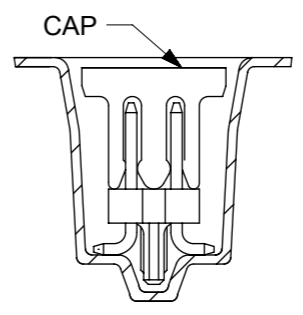
EMBOSED TYPE "A"  
PART WITH CAP IN TAPE & REEL ORIENTATION



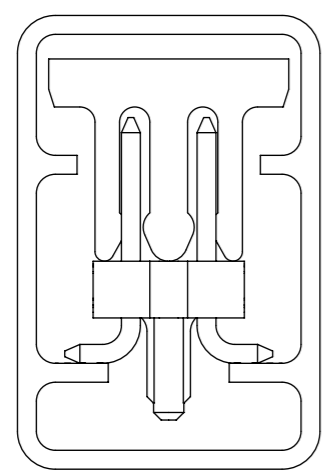
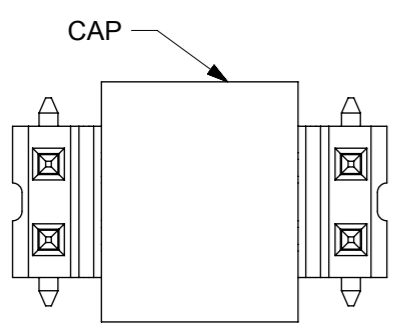
SECTION Y-Y



CUSTOMER  
PULL OUT DIRECTION



SECTION Z-Z



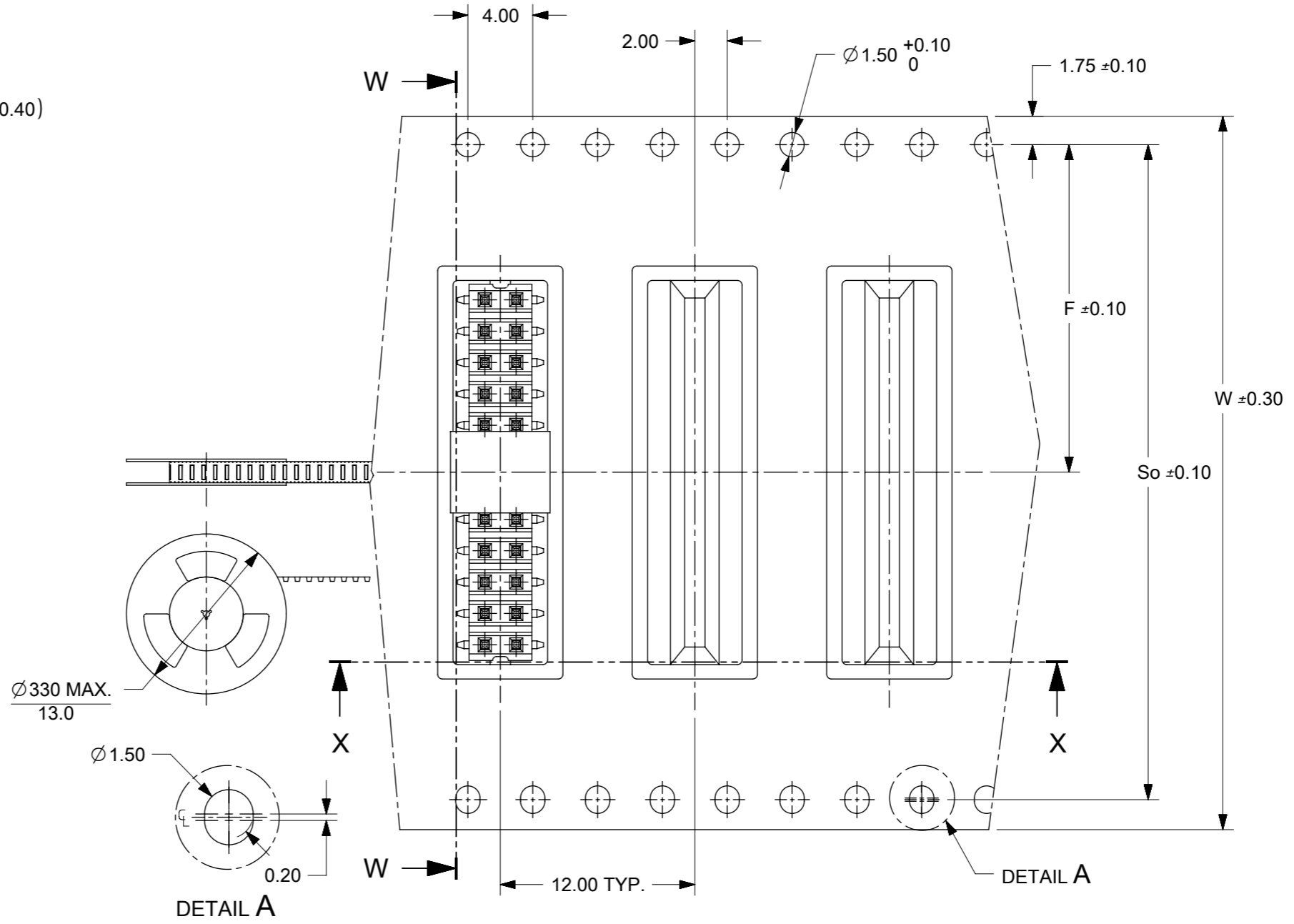
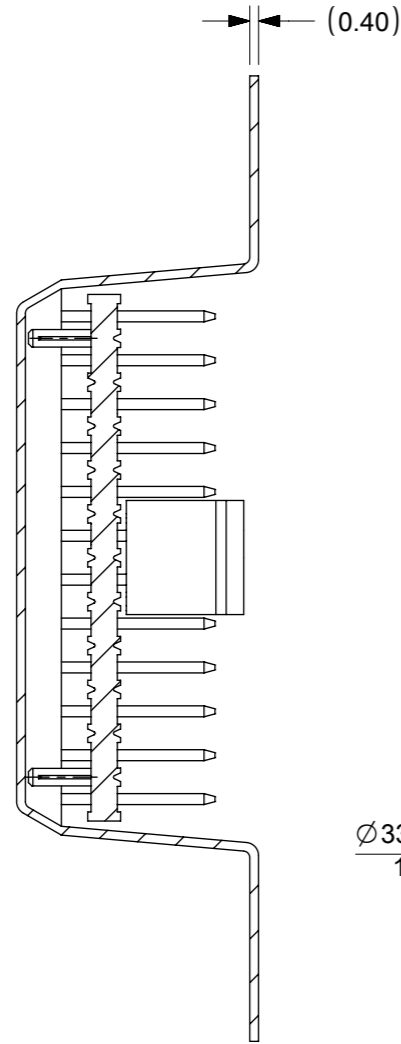
PART WITH CAP IN  
TUBE ORIENTATION

THIS DRAWING CONTAINS INFORMATION THAT IS PROPRIETARY TO MOLEX ELECTRONIC TECHNOLOGIES, LLC AND SHOULD NOT BE USED WITHOUT WRITTEN PERMISSION									
DIMENSION UNITS		SCALE		CURRENT REV DESC: REMASTERED IN NX					
mm		NTS							
GENERAL TOLERANCES (UNLESS SPECIFIED)									
		MM	INCH	EC NO: 172192 DRWN: NVELUSAMY 2018/01/03 CHK'D: CD 2018/07/18 APPR: GGA 2018/07/19					
4 PLACES		±	±	INITIAL REVISION: DRWN: KSEE 2003/12/22 APPR: MLONG 2009/12/17					
3 PLACES		±	±	DOCUMENT NUMBER: SD-87759-208 DOC TYPE: PSD DOC PART: 001 REVISION: D5					
2 PLACES		± 0.2	±	PRODUCT CUSTOMER DRAWING MATERIAL NUMBER: SEE TABLE CUSTOMER: GENERAL MARKET SHEET NUMBER: 2 OF 4					
1 PLACE		±	±	DRAFT WHERE APPLICABLE MUST REMAIN WITHIN DIMENSIONS					
0 PLACES		±	±	THIRD ANGLE PROJECTION DRAWING: A3-SIZE SERIES: 87759					
ANGULAR TOL		± 3.0°							

DOCUMENT STATUS	P1	RELEASE DATE	2018/07/19	05:01:16
-----------------	----	--------------	------------	----------

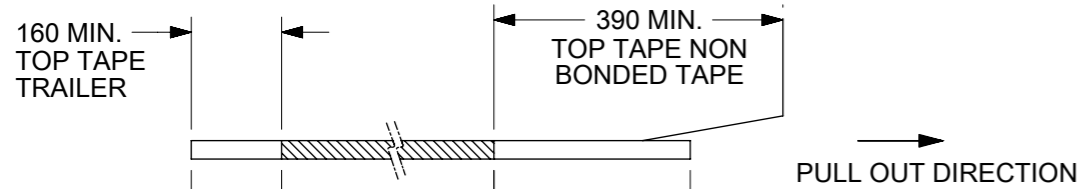
EMBOSED TYPE "B"

PART WITH CAP IN  
TAPE & REEL ORIENTATION

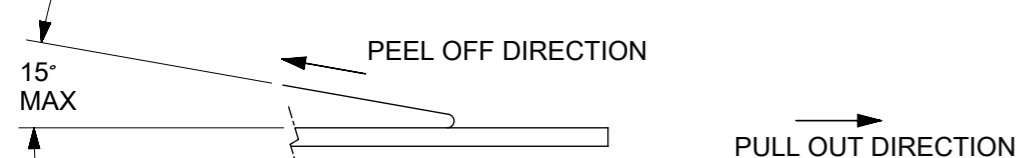


NOTES:

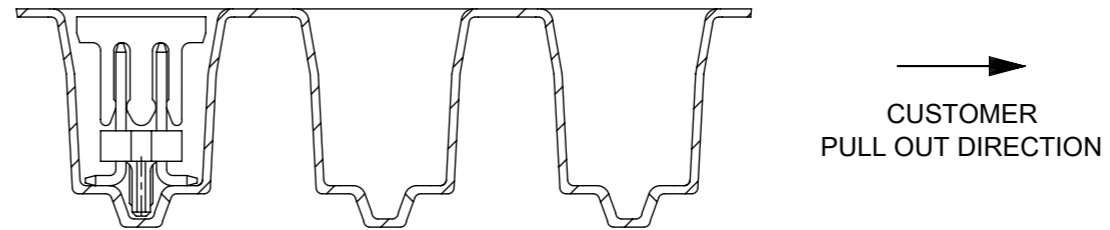
1. LEADER AND TRAILER TAPE



2. PEELING OFF FORCE OF THE TOP TAPE: 20 - 80gf.  
(PEELING DIRECTION AS SHOWN IN FOLLOWING FIGURE)



3. TAPE AND REEL SPECIFICATION IS AS PER EIA-481.  
4. TAPE & REEL QUANTITY = 500 PCS/REEL  
5. THE TAPE IS TREATED FOR ANTI-STATIC



THIS DRAWING CONTAINS INFORMATION THAT IS PROPRIETARY TO MOLEX ELECTRONIC TECHNOLOGIES, LLC AND SHOULD NOT BE USED WITHOUT WRITTEN PERMISSION											
DIMENSION UNITS		SCALE		CURRENT REV DESC: REMASTERED IN NX						<b>molex</b>	
mm		NTS									
GENERAL TOLERANCES (UNLESS SPECIFIED)				EC NO: 172192		DRWN: NVELUSAMY		2018/01/03		CUSTOMER	
4 PLACES $\pm$				MM		INCH		2018/07/18		MGRID, 2MM DUAL ROW HDR WITH PEG, SMT	
3 PLACES $\pm$				2018/07/18		APP: GGA		2018/07/19		PRODUCT CUSTOMER DRAWING	
2 PLACES $\pm 0.2$				INITIAL REVISION:		DRWN: KSEE		2003/12/22		DOCUMENT NUMBER	
1 PLACE $\pm$				APP: MLONG		2009/12/17		SD-87759-208		DOC TYPE	
0 PLACES $\pm$				ANGULAR TOL $\pm 3.0^\circ$		DRAFT WHERE APPLICABLE MUST REMAIN WITHIN DIMENSIONS		THIRD ANGLE PROJECTION		DOC PART	
DRAWING		SERIES		MATERIAL NUMBER		CUSTOMER		REVISION			
A3-SIZE		87759		SEE TABLE		GENERAL MARKET		001		D5	
SHEET NUMBER		3 OF 4									

9		8		7		6		5		4		3		2		1	
PART NUMBER WITH CAP IN TUBE		PART NUMBER WITH CAP IN TAPE AND REEL.		CKT SIZE	A	B	C	M	N	F	So	W	EMBOSSSED TYPE	CAP TYPE	PLATING OPTION		
E		87759-0876	87759-7626	08	7.90	6.00	4.00	3.80	8.05	11.50	-	24.00	A	C1	1		
		87759-5276	87759-7648	08	7.90	6.00	4.00	8.80	13.00	11.50	-	24.00	A	C2			
		87759-1076	87759-7627	10	9.90	8.00	6.00	3.80	8.05	11.50	-	24.00	A	C1			
		87759-1276	87759-7628	12	11.90	10.00	8.00	3.80	8.05	11.50	-	24.00	A				
		87759-1476	87759-7629	14	13.90	12.00	10.00	3.80	8.05	11.50	-	24.00	A				
		87759-1676	87759-7630	16	15.90	14.00	12.00	3.80	8.05	14.20	28.40	32.00	B				
		87759-1876	87759-7631	18	17.90	16.00	14.00	3.80	8.05	14.20	28.40	32.00	B				
		87759-2076	87759-7632	20	19.90	18.00	16.00	3.80	8.05	20.20	40.40	44.00	B				
		87759-2276	87759-7633	22	21.90	20.00	18.00	3.80	8.05	20.20	40.40	44.00	B				
		87759-2476	87759-7634	24	23.90	22.00	20.00	3.80	8.05	20.20	40.40	44.00	B				
		87759-2676	87759-7635	26	25.90	24.00	22.00	3.80	8.05	20.20	40.40	44.00	B				
D		87759-2876	87759-7636	28	27.90	26.00	24.00	3.80	8.05	20.20	40.40	44.00	B				
		87759-3076	87759-7637	30	29.90	28.00	26.00	3.80	8.05	20.20	40.40	44.00	B				
		87759-3276	87759-7638	32	31.90	30.00	28.00	3.80	8.05	26.20	52.40	56.00	B				
		87759-3476	87759-7639	34	33.90	32.00	30.00	3.80	8.05	26.20	52.40	56.00	B				
		87759-3676	87759-7640	36	35.90	34.00	32.00	3.80	8.05	26.20	52.40	56.00	B				
		87759-3876	87759-7641	38	37.90	36.00	34.00	3.80	8.05	26.20	52.40	56.00	B				
		87759-4076	87759-7642	40	39.90	38.00	36.00	3.80	8.05	26.20	52.40	56.00	B				
C		87759-4276	87759-7643	42	41.90	40.00	38.00	3.80	8.05	26.20	52.40	56.00	B				
		87759-4476	87759-7644	44	43.90	42.00	40.00	3.80	8.05	26.20	52.40	56.00	B				
		87759-4676	87759-7645	46	45.90	44.00	42.00	3.80	8.05	34.20	68.40	72.00	B				
		87759-4876	87759-7646	48	47.90	46.00	44.00	3.80	8.05	34.20	68.40	72.00	B				
		87759-5076	87759-7647	50	49.90	48.00	46.00	3.80	8.05	34.20	68.40	72.00	B				

B		A																						
<p>THIS DRAWING CONTAINS INFORMATION THAT IS PROPRIETARY TO MOLEX ELECTRONIC TECHNOLOGIES, LLC AND SHOULD NOT BE USED WITHOUT WRITTEN PERMISSION</p> <p>DIMENSION UNITS: <b>mm</b> SCALE: <b>NTS</b></p> <p>GENERAL TOLERANCES (UNLESS SPECIFIED)</p> <table border="1"> <thead> <tr> <th></th> <th>MM</th> <th>INCH</th> </tr> </thead> <tbody> <tr> <td>4 PLACES ±</td> <td></td> <td></td> </tr> <tr> <td>3 PLACES ±</td> <td></td> <td></td> </tr> <tr> <td>2 PLACES ±</td> <td>0.2</td> <td></td> </tr> <tr> <td>1 PLACE ±</td> <td></td> <td></td> </tr> <tr> <td>0 PLACES ±</td> <td></td> <td></td> </tr> <tr> <td>ANGULAR TOL</td> <td colspan="2">± 3.0°</td> </tr> </tbody> </table> <p>DRAFT WHERE APPLICABLE MUST REMAIN WITHIN DIMENSIONS</p>			MM	INCH	4 PLACES ±			3 PLACES ±			2 PLACES ±	0.2		1 PLACE ±			0 PLACES ±			ANGULAR TOL	± 3.0°		<p>CURRENT REV DESC: REMASTERED IN NX</p> <p><b>molex</b></p> <p>CUSTOM HEADER MGRID, 2MM DUAL ROW HDR WITH PEG, SMT</p> <p>PRODUCT CUSTOMER DRAWING</p> <p>EC NO: 172192 DRWN: NVELUSAMY 2018/01/03 CHK'D: CD 2018/07/18 APPR: GGA 2018/07/19</p> <p>INITIAL REVISION: DRWN: KSEE 2003/12/22 APPR: MLONG 2009/12/17</p> <p>THIRD ANGLE PROJECTION </p> <p>DRAWING: <b>A3-SIZE</b> SERIES: <b>87759</b></p>	
	MM	INCH																						
4 PLACES ±																								
3 PLACES ±																								
2 PLACES ±	0.2																							
1 PLACE ±																								
0 PLACES ±																								
ANGULAR TOL	± 3.0°																							
<p>DOCUMENT STATUS: P1 RELEASE DATE: 2018/07/19 05:01:16</p>		<p>DOCUMENT NUMBER: <b>SD-87759-208</b> DOC TYPE: PSD DOC PART: 001 REVISION: D5</p> <p>MATERIAL NUMBER: SEE TABLE CUSTOMER: GENERAL MARKET SHEET NUMBER: 4 OF 4</p>																						