

**PLEASE CHECK WWW.MOLEX.COM FOR LATEST PART INFORMATION**

**Part Number:** [0439740005](#)  
**Status:** **Active**  
**Overview:** [Mini-Fit® BMI](#)  
**Description:** Mini-Fit® BMI Receptacle Housing, 4.20mm Pitch, Dual Row with Panel Mount Flange, 40 Circuit

**Documents:**

[3D Model](#) [Packaging Specification PK-44516-003 \(PDF\)](#)  
[Drawing \(PDF\)](#) [RoHS Certificate of Compliance \(PDF\)](#)

**Agency Certification**

CSA LR19980  
 UL E29179

**General**

Product Family Crimp Housings  
 Series [43974](#)  
 Application Power, Wire-to-Board  
 Overview [Mini-Fit® BMI](#)  
 Product Name Mini-Fit® BMI  
 UPC 756054164822

**Physical**

Circuits (maximum) 40  
 Flammability 94V-0  
 Gender Receptacle  
 Glow-Wire Compliant No  
 Lock to Mating Part None  
 Net Weight 14.420/g  
 Number of Rows 2  
 Packaging Type Bag  
 Panel Mount Yes  
 Pitch - Mating Interface 4.20mm  
 Polarized to Mating Part Yes  
 Stackable No  
 Temperature Range - Operating -40°C to +105°C

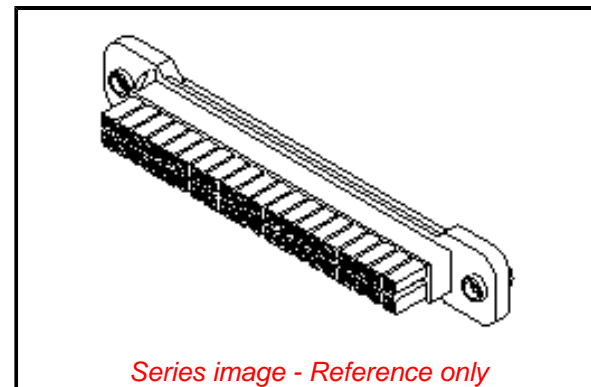
**Solder Process Data**

Lead-freeProcess Capability N/A

**Material Info**

**Reference - Drawing Numbers**

Packaging Specification PK-44516-003  
 Sales Drawing SD-43974-005



*Series image - Reference only*

**EU ELV**

**Not Relevant**

**EU RoHS**

**Compliant**

**REACH SVHC**

Not Contained Per  
 -ED/01/2017 (12  
 January 2017)

**Halogen-Free**

**Status**

**Not Low-Halogen**

**Need more information on product  
 environmental compliance?**

Email [productcompliance@molex.com](mailto:productcompliance@molex.com)  
 Please visit the [Contact Us](#) section for any  
 non-product compliance questions.

China ROHS

ELV

RoHS Phthalates

Green Image

Not Relevant

Not Contained

**Search Parts in this Series**

[43974 Series](#)

**Mates With**

[43973 Header](#)

**Use With**

[45750 Terminal](#)

# Mouser Electronics

Authorized Distributor

Click to View Pricing, Inventory, Delivery & Lifecycle Information:

[Molex:](#)

[43974-0005](#)