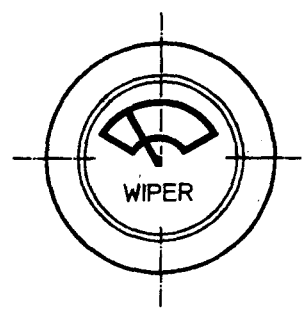
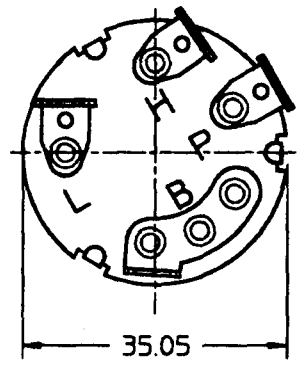
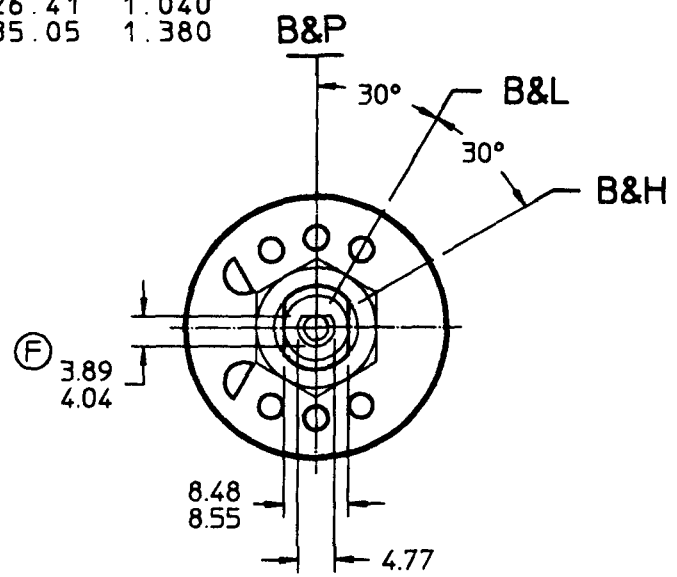
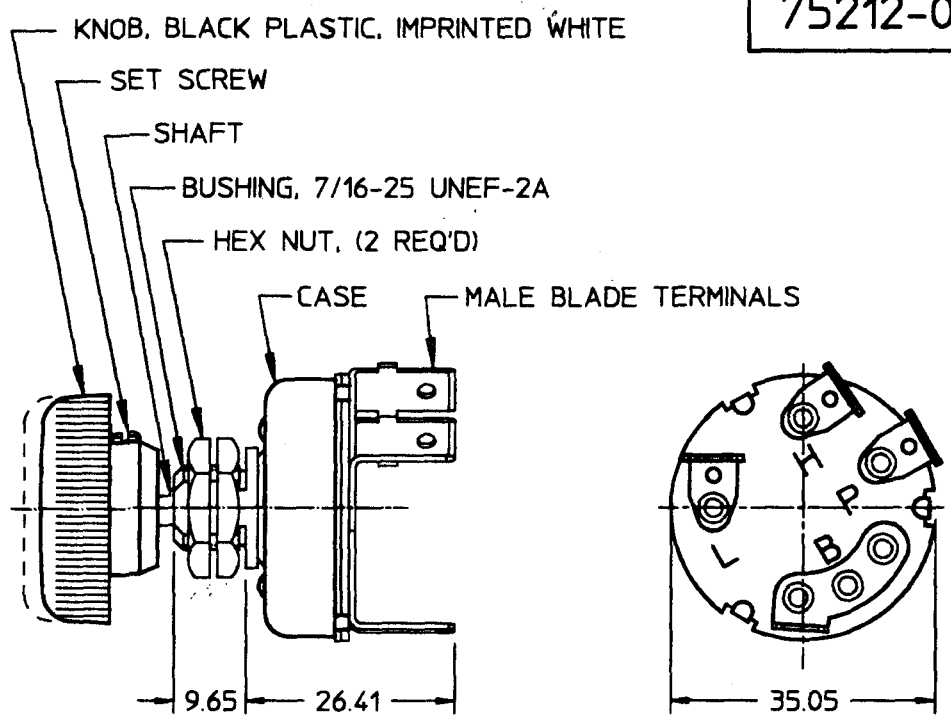


MM	IN
3.89	0.153
4.04	0.159
4.77	0.188
8.48	0.344
8.55	0.337
9.65	0.380
26.41	1.040
35.05	1.380



FRONT VIEW OF KNOB

P	PARK
L	LOW
H	HIGH
B	BATTERY
LEGEND	

- NOTES:
1. COPPER ALLOY CONTACTS.
 2. NUMBER OF POLES-1
NUMBER OF THROWS-2
 3. SEALING-NONE
 4. ALL STEEL PARTS PLATED
 5. RATING:

	RESISTIVE	INDUCTIVE
12V	10 AMPS	8 AMPS
24V	7 AMPS	5 AMPS

LIFE @ RATED CURRENT

MAKE & BRAKE
12V - 100,000 MIN
24V - 50,000 MIN

DO NOT SCALE

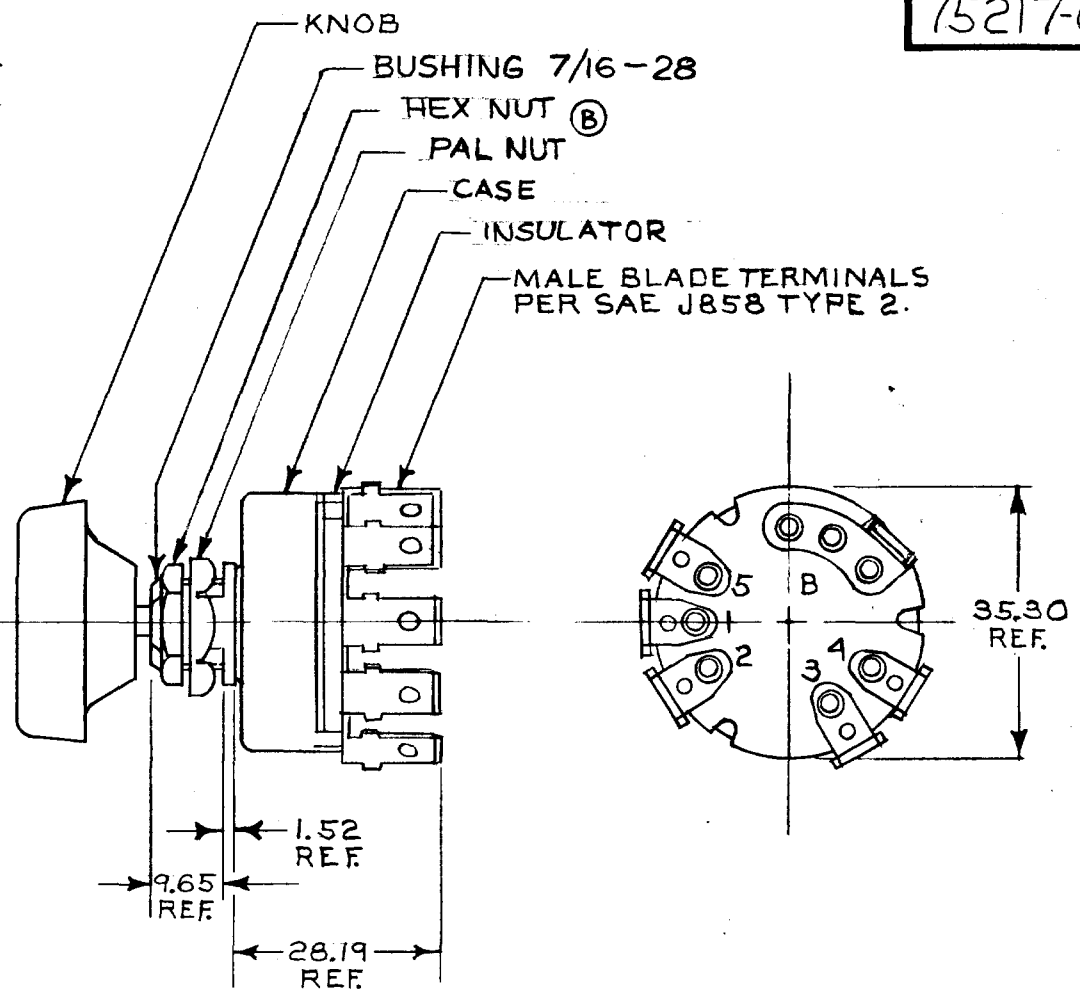
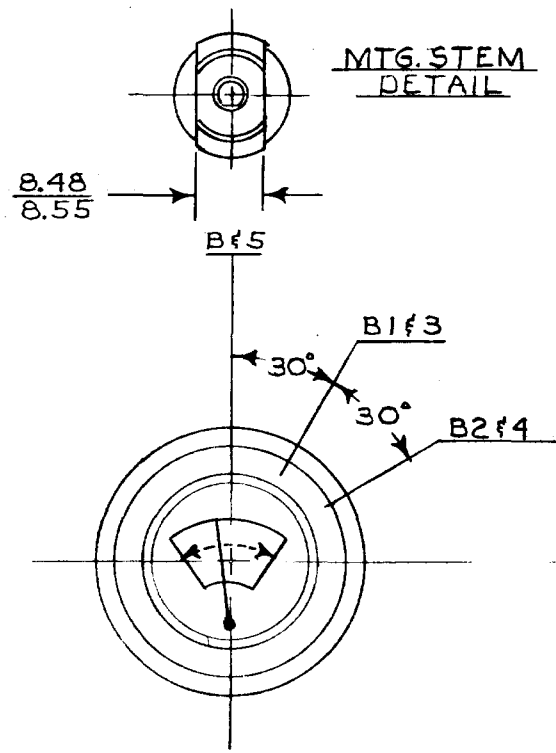
METRIC

LET.	WAS	DATE	BY	LET.	WAS	DATE	BY	MATERIAL	DRAWN	CHK	APVD	SCALE	75212-01 WITH 81298-29 KNOB	DATE DRAWN
									BW	AP		1:1		9/10/74
								FINISH	Cole Hersee Co. 20 OLD COLONY AVENUE, BOSTON, MA., U.S.A., 02127					DATE BLUEPRINTED
				F	ECN # 25936	8/16/95	MB	TOLERANCES DECIMAL ± 0.25 ANGLE ±						
				E	PUT ON CAD	10/4/94	MB		SW, WINDSHIELD WIPER					75212-04

75217-04

MM IN
 1.52 .06
 8.48 .334
 8.55 .337
 9.65 .380
 28.19 1.111
 35.30 1.390

APPLICABLE SAE STANDARD OR
 RECOMMENDED PRACTICE SAE J112



LEGEND	
B	BATTERY
1	WIPER 1 LOW SPEED
3	WIPER 2 LOW SPEED
2	WIPER 1 HI SPEED
4	WIPER 2 HI SPEED
5	PARK

NOTES:
 1. ALL STEEL PARTS PLATED
 2. CURRENT RATING: 10AMP @ 12 VOLT

METRIC

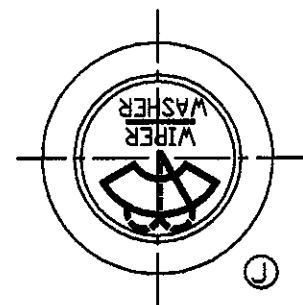
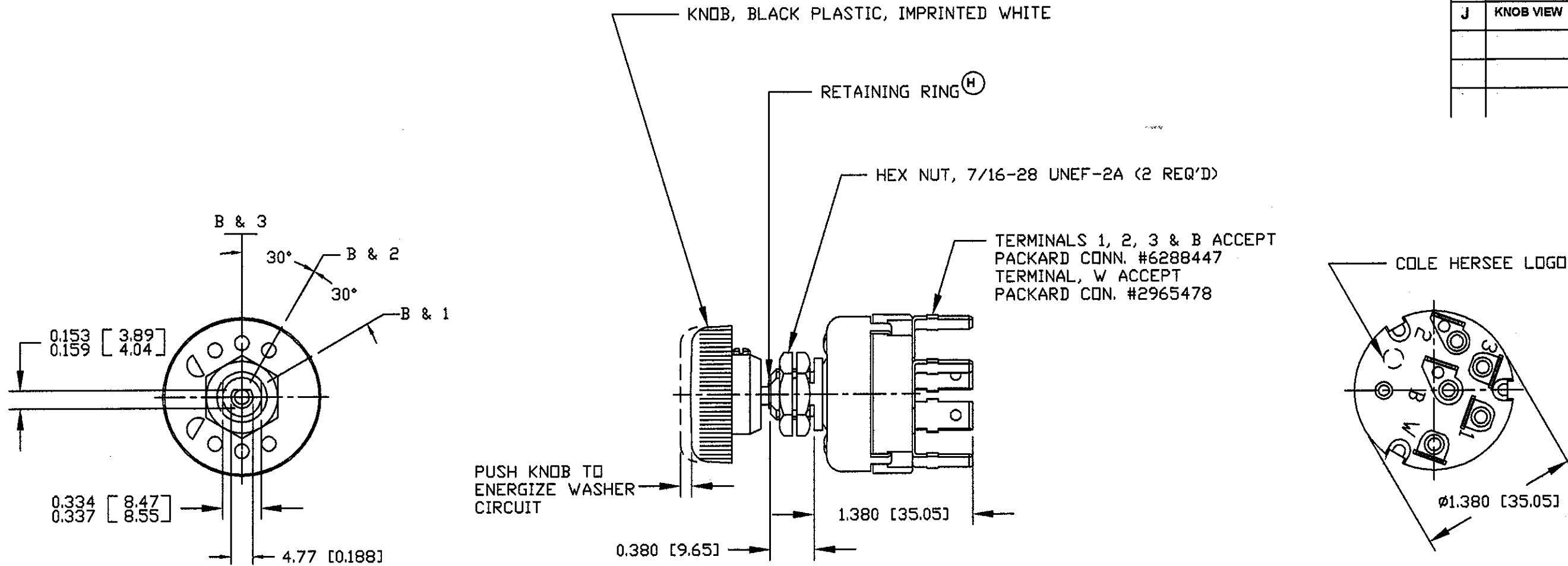
DO NOT SCALE

LET.	WAS	DATE	BY	LET.	WAS	DATE	BY	MATERIAL	DRAWN	CHECKED	APPR'D.	SCALE	DATE DRAWN
								<i>K</i>	EA	<i>EA</i>		1:1	10-2-74
								FINISH					DATE BLUEPRINT
								<i>K</i>					
				B	ECN 233 44	12-12-86	ZU	TOLERANCES	 70 OLD COLONY AVENUE SOUTH BOSTON, MA. U.S.A. 02127 SWITCH, WINDSHIELD WIPER				75217-04
			A	REDRAWN	12-11-89	<i>K</i>	DECIMAL ± METRIC ±						

CH-188(4-78)

Revision Control Record

Rev.	Description of Change	ECN No.	Date
H	SHOW RETAINING RING	01744	12/20/01
J	KNOB VIEW	06340	10/06/06



FRONT VIEW OF KNOB

3	PARK
2	LOW
1	HIGH
W	WASHER
B	BATTERY
LEGEND	

NOTES:

1. COPPER ALLOY CONTACTS.
2. NUMBER OF POLES-1, NUMBER OF THROWS-2
3. SEALING-NON
4. ALL STEEL PARTS PLATED
4. INTEGRAL CIRCUIT BREAKER 6 AMP PER SAE J258
6. RATING: WIPE-6 AMP @ 12VDC

(GOVERNED BY CIRCUIT BREAKER)

WASH-5 AMP@ 12VDC, LIFE @ RATED
CURRENT MAKE & BREAK 12V-100,000 MIN

7. APPLICABLE SAE STANDARD OR RECOMMENDED PRACTICE WINDSHIELD WIPER J112A & WINDSHIELD WASHER J234
8. ALL DIMENSIONS REFERENCE ONLY UNLESS NOTED OTHERWISE.

Tolerances Unless otherwise specifically noted, the following are default tolerances:
 • 2-place Decimal Dimensions ± 0.02 "
 • 3-place Decimal Dimensions ± 0.005 "
 • Angular Dimensions ± 1.0 Deg.
 • Metric: Refer to equivalent English Dimension Tolerance
 >>> NOTE: All tolerances are Non-Cumulative. <<<

Dimensional Units All dimensions are expressed in inches except those shown in brackets (xxx) are expressed in millimeters

"REF." or an Asterisk (*) = Non-Toleranced Reference Dimension, shown for clarification purposes only.

Used On: BASIC W/NEW SHAFT, BUSHING & KNOB
 or Ref.: Scale: 1:1

PROPRIETARY INFORMATION This Engineering Drawing, and the information contained herein, is proprietary to Cole Hersee Company and may not be disclosed, re-produced, or in any other way transferred or communicated to any other party without the express written consent of an authorized representative of Cole Hersee Company.

DESIGN CONTROL It is the responsibility of the individual using / referencing this drawing to ensure that the noted design revision level agrees with the revision level of the Controlled Document (Master Drawing). This is a NON-CONTROLLED DOCUMENT unless otherwise specifically noted.

DO NOT SCALE - Dimensional variation may occur during printing / reproduction.

Drawn By: KG Date Drawn: 04/22/77

Key for Special Characteristics:

- ⊕ Critical Characteristic, relating to Safety and/or Regulatory Compliance
- X Significant Characteristic relating to Process Control (SPC)
- Ⓢ Control Dimension relating to Form - Fit - Function as defined by Cole Hersee Company and/or the Customer

(Note that the identification of any Characteristics as being "Special" does not alter the requirement that ALL specified dimensions & tolerances must be met.)

Responsible Engineer: NA Pg. 1 of 1

Cole Hersee Co.
 20 Old Colony Ave., South Boston, MA, 02127
 Phn: 617-268-2100 Web: www.colehersee.com

Description: SW, WINDSHIELD WIPER 12V

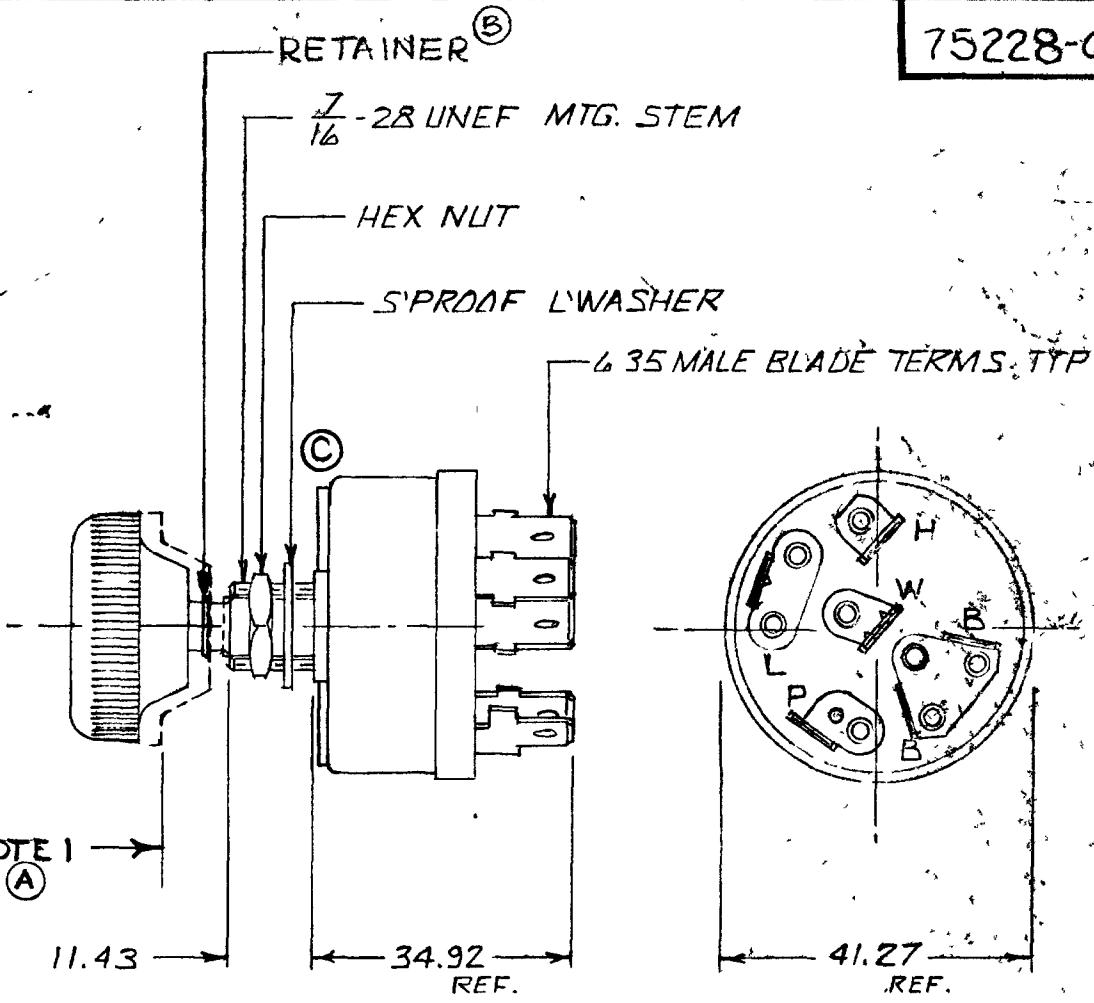
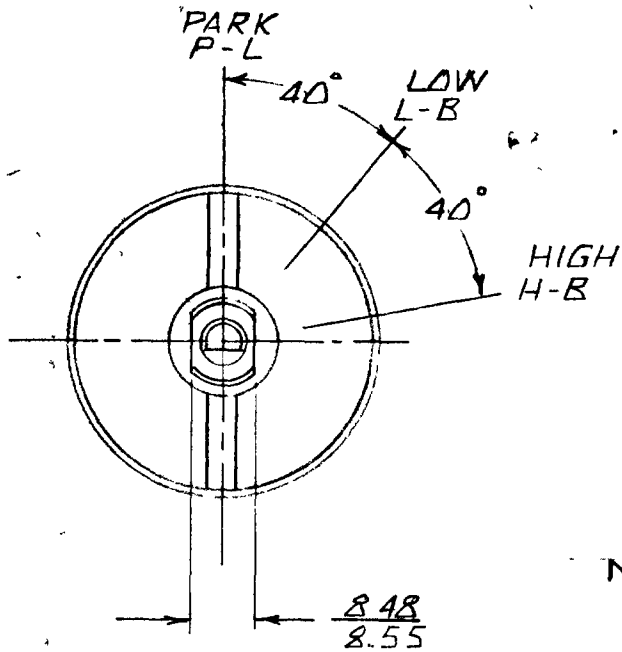
Drawing / Part No.: 75221-09

Current Rev.: J

MM IN
 8.48 .334
 8.55 .337
 11.43 .45
 6.35 .25
 34.92 1.375
 41.27 1.625

METRIC

75228-03



EX 19874

FRONT VIEW OF KNOB

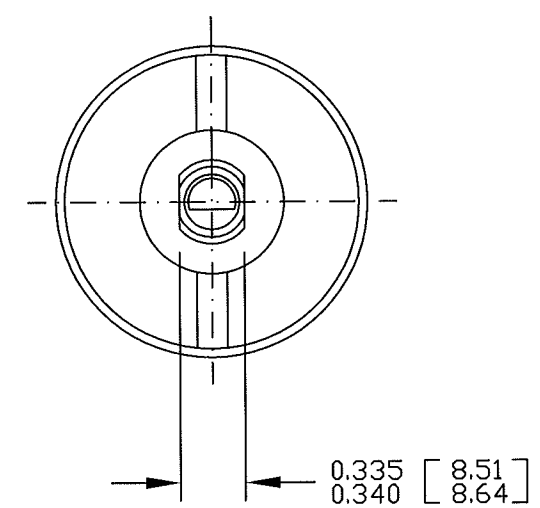
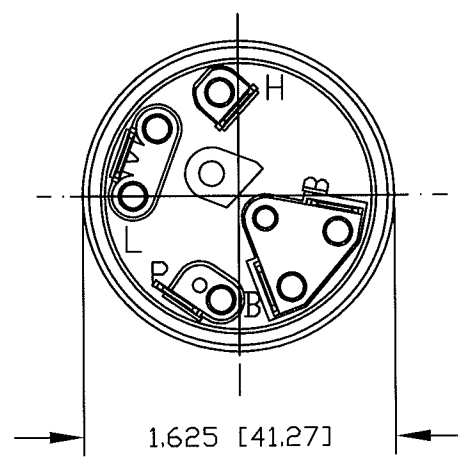
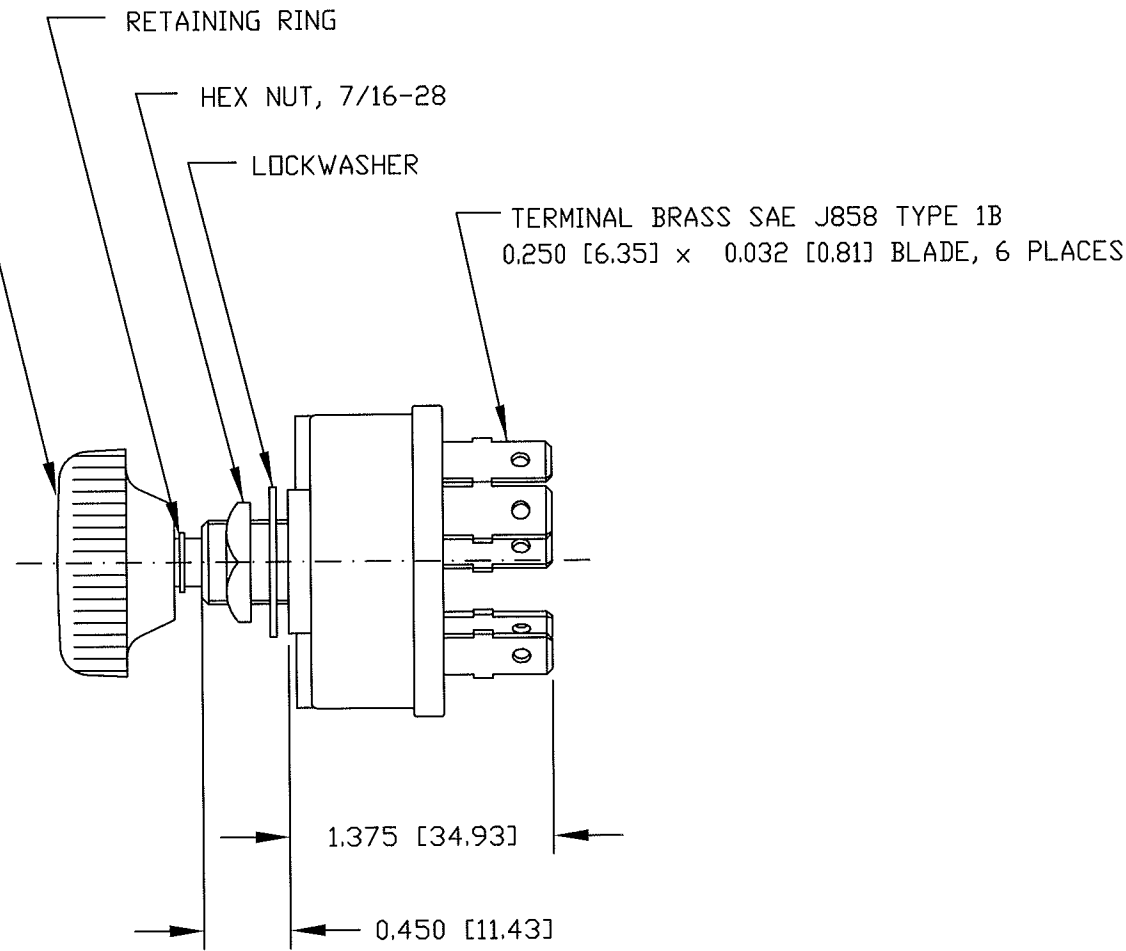
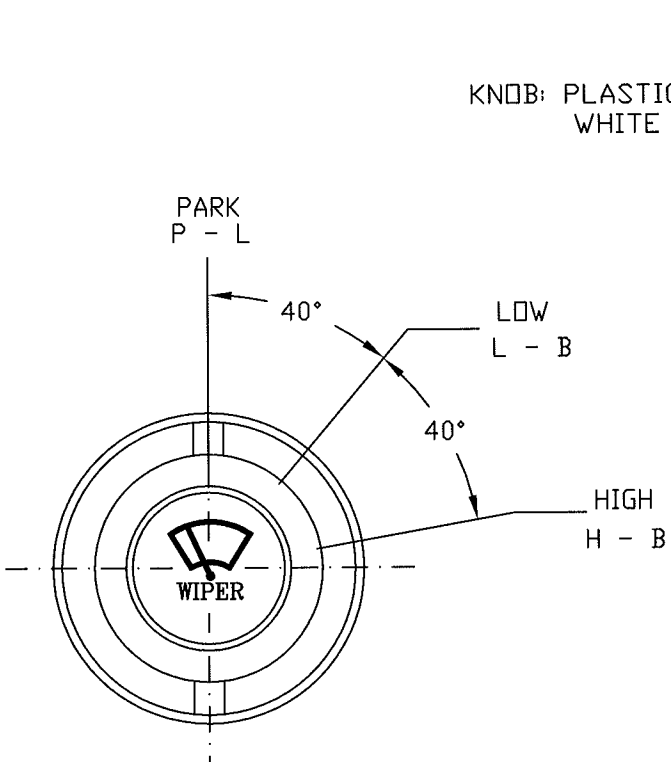
12VOLTS @ 10AMPS

- NOTE:
1. PUSH KNOB TO ACTIVATE WASHER CIRCUIT PARK, LOW, HIGH POSITIONS
 2. ALL STEEL PARTS PLATED

DO NOT SCALE

LET	WAS	DATE	BY	LET	WAS	DATE	BY	MATERIAL	DRAWN	CHECKED	APPRV D	SCALE	BASIC 02 WITH KNOB	DATE DRAWN
									EA	RFB		1=1		3-25-83
				C	ECN 24372	6/7/90	BL	FINISH	 Cole Hersee Co. <small>20 OLD COLONY AVENUE SOUTH BOSTON MA USA 02127</small>					DATE BLUEPRINT
				B	SEN 23512	12-12-86	ZU							
				A	22545	10-5-84	AK	TOLERANCES	3 POS ROTARY SW					75228-03
					ISSUED	1/21/83	REF	DECIMAL ± .010 METRIC ± .25						

CH-188(4-78)



VIEW WITH KNOB REMOVED.

- NOTES:
1. WIPER, ROTARY SWITCH.
 2. SWITCH KNOB SHOWN IN PARK POSITION.
 3. ALL STEEL PARTS ARE PLATED.
 4. ELECTRICAL RATING: 12 VOLTS AT 10 AMPS.

Revision Control Record				Rev.	Description of Change	ECN No.	Date	Tolerances Unless otherwise specifically noted, the following are default tolerances;			PROPRIETARY INFORMATION This Engineering Drawing, and the information contained herein, is proprietary to Cole Hersee Company and may not be disclosed, re-produced, or in any other way transferred or communicated to any other party without the express written consent of an authorized representative of Cole Hersee Company.			Special Characteristics:			Cole Hersee Co.	
Rev.	Description of Change	ECN No.	Date					2-places +/- 0.02"	3-places +/- 0.005"	Angular +/- 1°	<input checked="" type="checkbox"/> Critical Characteristic, relating to Safety and/or Regulatory Compliance	<input checked="" type="checkbox"/> Significant Characteristic relating to Process Control	<input checked="" type="checkbox"/> Control Dimension relating to Form - Fit - Function as defined by Cole Hersee Company and/or the Customer	20 Old Colony Ave., South Boston, MA, 02127 Phn: 617-268-2100 Web: www.colehersee.com				
C	BOM CHANGED	11043	3/10/11											Description: ROTARY SW 3 POS				
														Drawing / Part No.: 75228-04	Current Rev. C			
								FORM CHT-6 (2/07)	Used On or Ref.:	Scale: 1:1	Drawn BY: DPS	Date Drawn: 4/21/83	Pg. 1 of 1					

LEGEND

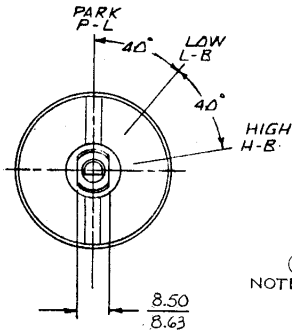
BAT	BATTERY	P	PARK
H	HIGH	W	WASH
L	LOW		

Confidential Property of Cole Hersee

75228-07

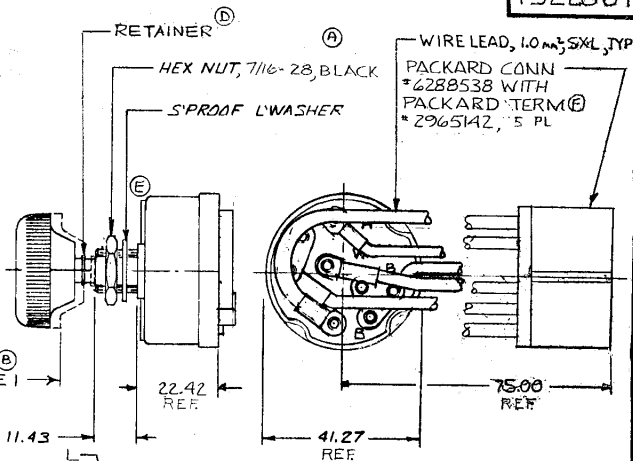
MM IN
 8.50 .335
 8.63 .340
 11.43 .450
 22.42 .883
 41.27 1.625
 75.00 2.952
 1.0mm .039

EX-20 495



FRONT VIEW OF KNOB

METRIC



FRONT VIEW OF CONN

NOTES

1. PUSH KNOB TO ACTIVATE WASHER CIRCUIT PARK, LOW, HIGH POSITIONS
2. ALL STEEL PARTS PLATED
3. 10 AMPS @ 12 V.D.C.

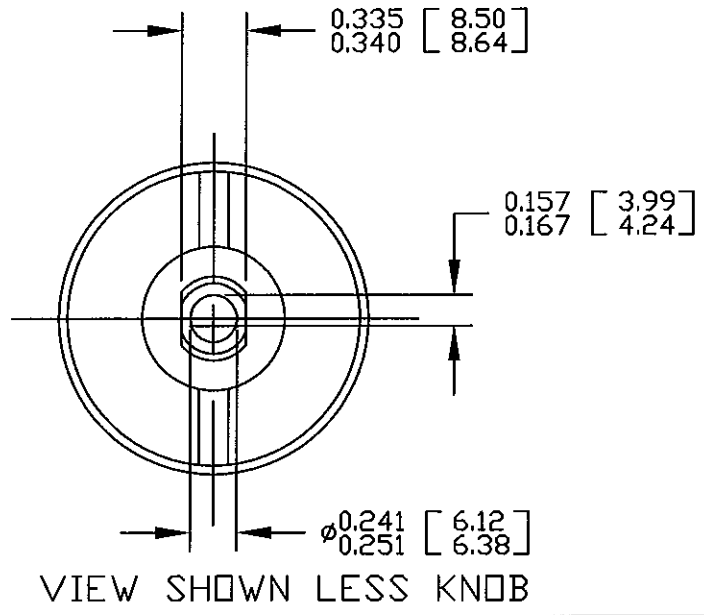
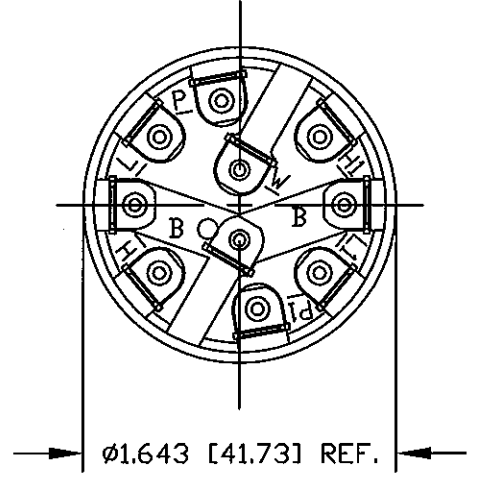
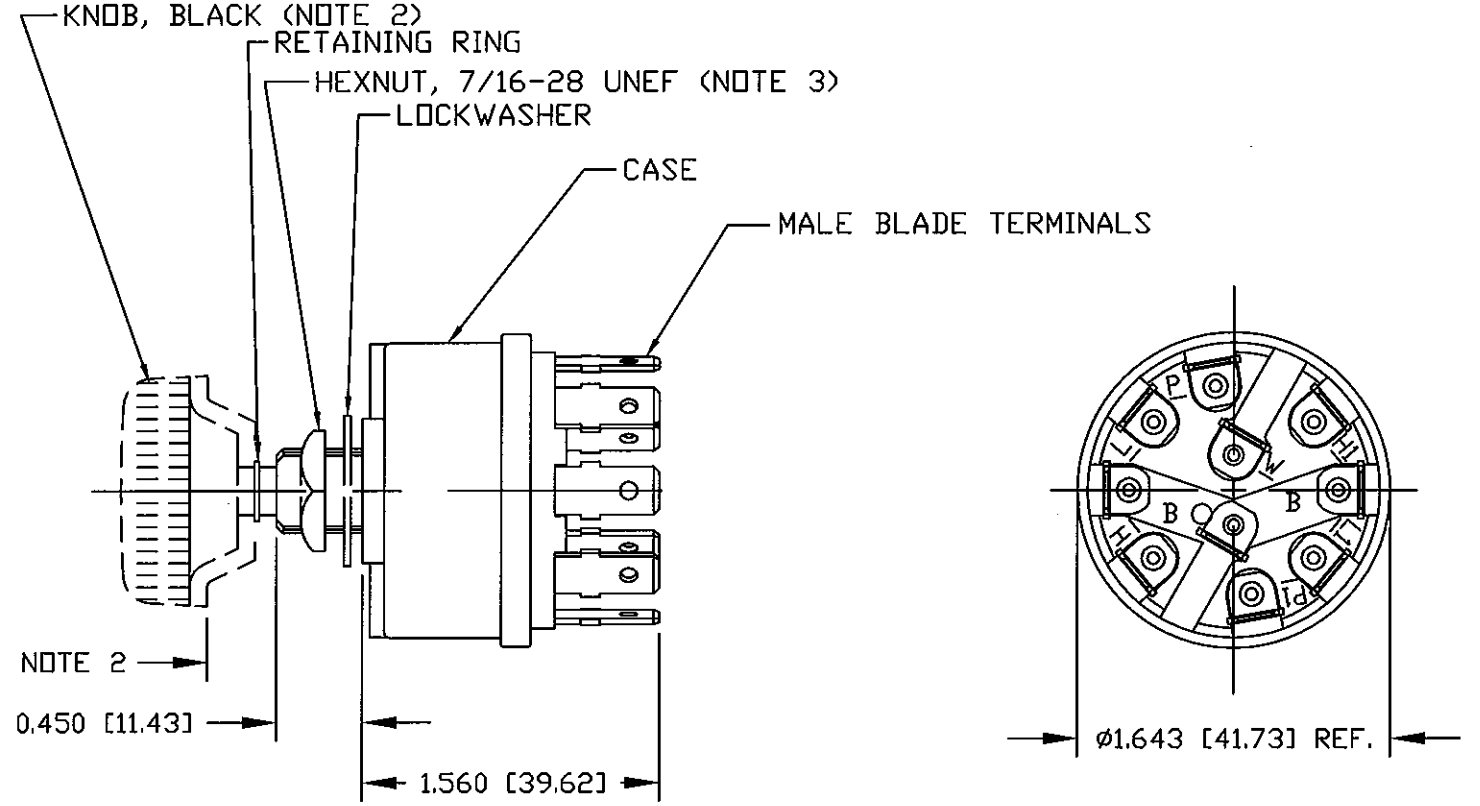
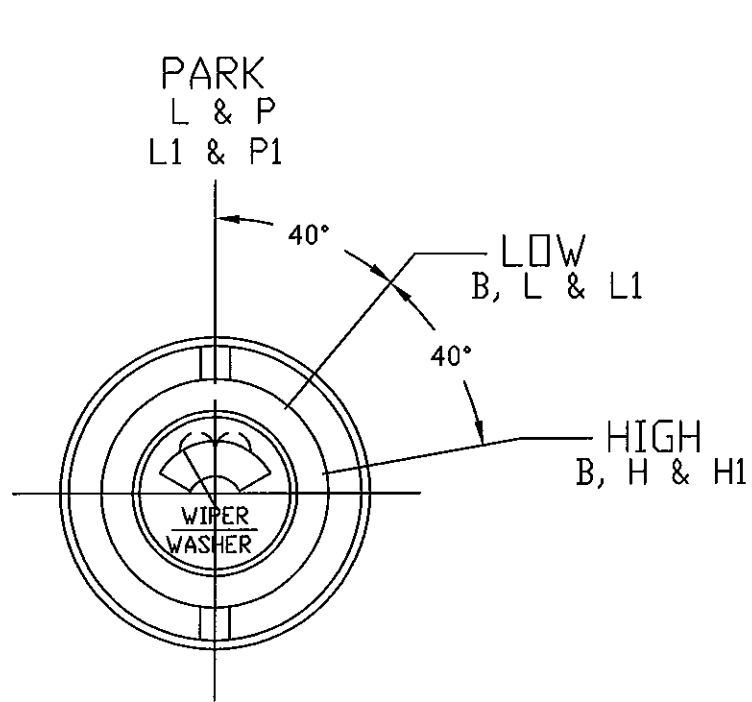
DO NOT SCALE

LET.	WAS	DATE	BY	LET	WAS	DATE	BY	MATERIAL	DRAWN	CHECKED	APPRVD.	SCALE	BASIC-03 WITH WIRE LEADS	DATE DRAWN
				D	22542	12-12-86	ZU	---	P3	CS		1:1		11-23-83
				C	ADD NOTE 3	11/21/85	WB	FINISH		8/17/84				
				B	22545	10-5-84	PK	---						
F	ECN 00848	12/1/86	PC	A	22539	7-24-84	CS	TOLERANCES						
E	ECN 24372	6/7/90	BL		ISSUED	8-17-84	CS	DECIMAL ± METRIC ±						

CH Cole Hersee Co.
 WINDSHIELD WASHER SW

WINDSHIELD WASHER SW

75228-07



P	PARK
P1	
L	LOW
L1	
H	HIGH
H1	
B	BATTERY
W	WASHER
CIRCUIT	DESCRIPTION
LEGEND	

- NOTES:
1. ALL STEEL PARTS PLATED
 2. PUSH KNOB TO WASH-"PARK", "LOW" & "HIGH"
 3. INSTALLATION TORQUE 2.7Nm (2 FT. LBS.)
 4. 20 AMPS @ 12 V.D.C.
 5. OPERATING TEMP RANGE -40°C TO + 85°C
 6. USE APPROPRIATE FEMALE TERMINALS THAT MATE TO STANDARD 1/4" X 0.032" BLADE TERMINALS

Revision Control Record				Rev.	Description of Change	ECN No.	Date	Tolerances Unless otherwise specifically noted, the following are default tolerances:			PROPRIETARY INFORMATION This Engineering Drawing, and the information contained herein, is proprietary to Cole Hersee Company and may not be disclosed, re-produced, or in any other way transferred or communicated to any other party without the express written consent of an authorized representative of Cole Hersee Company.			Special Characteristics:			Cole Hersee Co. 20 Old Colony Ave., South Boston, MA, 02127 Phn: 617-268-2100 Web: www.colehersee.com		
Rev.	Description of Change	ECN No.	Date					2-places +/- 0.02"	3-places +/- 0.005"	Angular +/- 1'	CC	XC	KC	Description: DUAL W/W & WASHER SW, P.M MOTOR WITH DYNAMIC PARKING					
D	ADD NOTE 5 & 6	09253	04/15/09											Drawing / Part No.: 75236					
														Current Rev. D					
								FORM CHT-6 (2/07)	Used On or Ref.: EX-20879	Scale: 1:1	Drawn BY: RJF	Date Drawn: 04/22/85	Pg. 1 of 1						